

DV-SW8-P



USER MANUAL

DV-SW8-P

8 Port DVI-I Audio Video Switch with Serial Control



Designed and Manufactured in the USA

Smart-AVI

1-800-284-2131
www.smartavi.com

TABLE OF CONTENT

TECHNICAL SPECIFICATIONS	3
WHAT'S IN THE BOX?	4
FRONT AND REAR	4
INSTALLATION	5-6
LED's BEHAVIOR	7
SYSTEM OPERATION	8
FRONT PANEL CONTROL	8
RS232 SERIAL CONTROL	8
TROUBLESHOOTING	9
TECHNICAL SUPPORT	9
LIMITED WARRANTY STATEMENT	10

TECHNICAL SPECIFICATIONS

VIDEO	
Format	DVI-I Dual Link
Host Interface	(8) DVI-I 29-pin (female)
User Console Interface	(1) DVI-I 29-pin (female)
Max Resolution	2560 x 1600 @ 60Hz; 3840x2160 @ 30Hz (w/HDMI-to-DVI adapter)
DDC	5 volts p-p (TTL)
Input Equalization	Automatic
Input Cable Length	Up to 20 ft.
Output Cable Length	Up to 20 ft.
AUDIO	
Input	(8) Connector Stereo 3.5mm Female
Output	(1) Connector Stereo 3.5mm Female
CONTROL	
Front Panel	Push Buttons with LED indicators
RS232	Via Serial @ 9600 bps
POWER	
Power Requirements	12V DC, 2A (minimum) power adapter with center-pin positive polarity. Quad head models require a 12V DC 3A (minimum) power adapter with center-pin positive polarity.
ENVIRONMENT	
Operating Temp	32° to 104° F (0° to 40° C)
Storage Temp	-4° to 140° F (-20° to 60° C)
Humidity	0-80% RH, non-condensing
OTHER	
Dimensions	17.0" W x 1.76" H x 8.69" D
Weight	6.3 lbs
Emulation	Keyboard, Mouse and Video
Control	Front Panel Buttons

WHAT'S IN THE BOX?

DV-SW8-P	8 Port DVI-I Audio Video Switch with Serial Control
PS12VDC3A	12V DC 3A (minimum) power adapter with center-pin positive polarity.
User Manual	

DV-SW8-P REAR



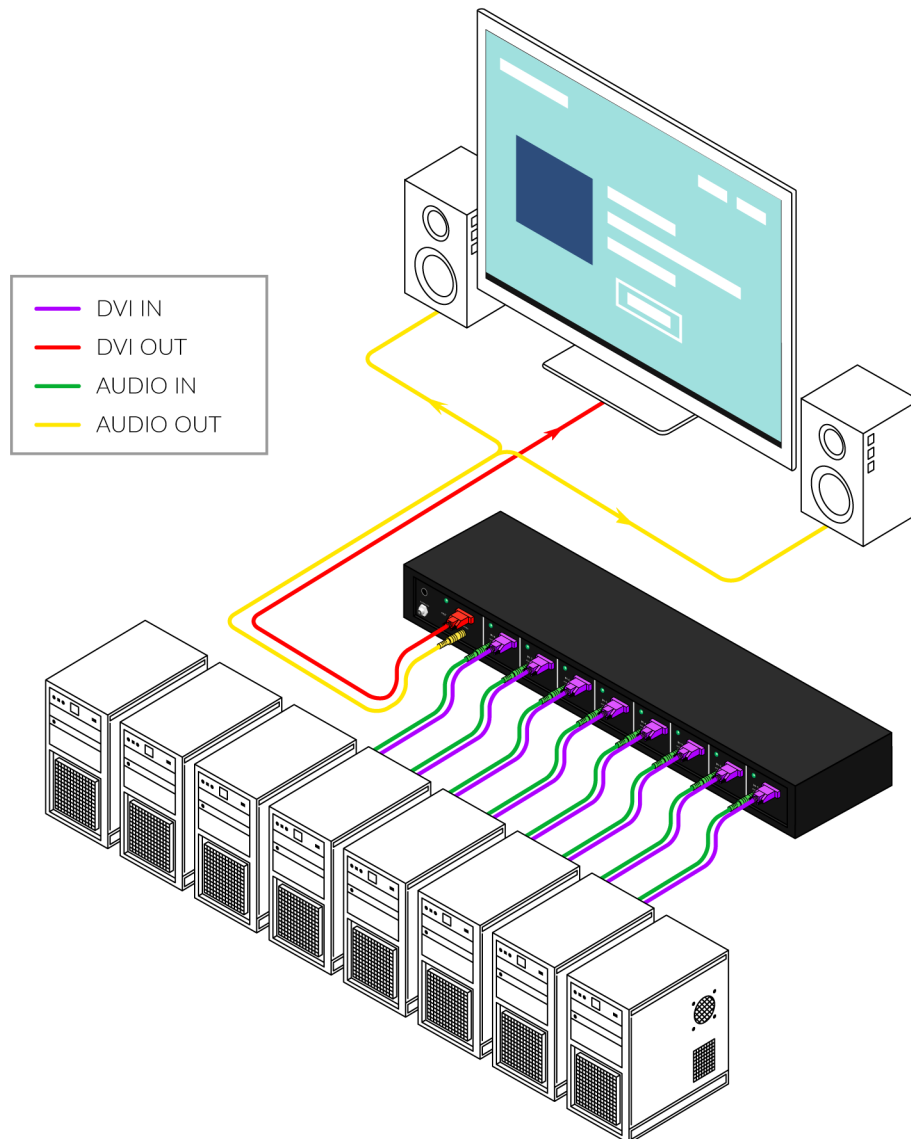
DV-SW8-P FRONT



INSTALLATION

Single-Head Units:

1. Ensure that power is turned off or disconnected from the unit and the computers.
2. Use a **DVI cable** to connect the DVI output port from each computer to the corresponding DVI-I IN ports of the unit.
3. Optionally connect a **stereo audio cable** (3.5mm to 3.5mm) to connect the audio output of the computers to the AUDIO IN ports of the unit.
4. Connect a monitor to the DVI-I OUT console port of the unit using a **DVI cable**.
5. Optionally connect stereo speakers to the AUDIO OUT port of the unit.
6. Finally, power on the switch by connecting a **12VDC power supply** to the power connector, and then turn on all the computers.



DV-SW8-P Shown

INSTALLATION (CONTINUED)

EDID Learn:

The switch is designed to learn the connected monitor's EDID upon power up. In the event of connecting a new monitor to the switch, a power recycle is required.

The switch will indicate to the user the EDID learn process by flashing the front panel's LEDs. Port one green will begin to flash for about 10 seconds. When the LEDs stop flashing, the EDID learn process is done.

The monitor must be connected to the video output connector located in the console space at the back of the switch during the EDID learn process.

If the read EDID from the connected monitor is identical to the current stored EDID in the switch then the EDID learn function will be skipped.

When learning the EDID, the audio will be disabled until executing the channel switch or audio switch commands via RS-232 or Front Panel. Rebooting power to the switch will also restore the audio.

SYSTEM OPERATION

There are two ways to control the DV-SW8-P: RS-232 Serial Commands, and Front Panel Buttons. All modes of control will allow the user the set their desired configurations.

FRONT PANEL CONTROL

To switch to an input port, simply push the desired input button on the front-panel of the switch. If an input port is selected, the LED of that port will turn on.

There are 8 buttons on the front panel of the device, depending on the model. There will be an added EDID Learn function that can be triggered from the Front Panel, this will be triggered as follows:

Hold down the First and Last button of Front Panel for 3 seconds to force Learn EDID.

RS232 SERIAL CONTROL

The DV-SW8-P may also be controlled via RS-232 commands. To use these commands, you must use HyperTerminal or an alternate terminal application. The settings for the connection are as follows:

Baudrate **9600**; Data Bits **8**; Parity **None**; Stop Bits **1**; Flow Control **None**.

Once you have connected to the DV-SW8-P via Serial, you will see the DV-SW8-P information when the device starts up.

The following commands can be used for RS-232 with available keyboard hotkeys:

Command Description	RS-232 Command
Switch Video and Audio	// m [port #] [ENTER]
Switch Audio Only	// a [port #] [ENTER]
Switch Video Only	// c [port #] [ENTER]
Learn EDID	// e [ENTER]
Trigger Hotplug	// h [ENTER]
Reset Software	// r [ENTER]
Input Status	// ?? [ENTER]

LED'S BEHAVIOR

User Console Interface – Display LED:

#	Status	Description
1	Off	Monitor is not connected
2	On	Monitor is connected
3	Flashing	EDID problem – Learn EDID to fix the problem

Front Panel – Port Selection LED's:

#	Status	Description
1	Off	Non-selected port
2	On	Selected port
3	Flashing	EDID learn in process

EDID Learn - Front Panel LED's:

All LED's are turned on for 1 second.

IMPORTANT!

If all Front Panel LED's are on and not flashing, the POWER UP SELF TEST has failed and all functions are disabled. Check if any of the front panel port selection buttons are jammed. In this case, release the jammed button and recycle the power. If power up self test is still failing, please contact SmartAVI technical support at support@smartavi.com.

TROUBLESHOOTING

No Power

- Make sure that the power adapter is securely connected to the power connector of the unit.
- Check the output voltage of the power supply and make sure that the voltage value is around 12VDC.
- Replace the power supply.

No Video

- Check if all the video cables are connected properly.
- Connect the computer directly to the monitor to verify that your monitor and computer are functioning properly.
- Restart the computers

No Audio

- Check if all the audio cables are connected properly.
- Connect the speakers directly to the computer to verify that the speakers and the computer audio are functioning properly.
- Check the audio settings of the computer and verify that the audio output is through the speakers.

TECHNICAL SUPPORT

For product inquiries, warranty questions, or technical questions, please contact info@smartavi.com.

LIMITED WARRANTY STATEMENT

A. Extent of limited warranty

SmartAVI, Inc. warrants to the end-user customers that the SmartAVI product specified above will be free from defects in materials and workmanship for the duration of 1 year, which duration begins on the date of purchase by the customer. Customer is responsible for maintaining proof of date of purchase.

SmartAVI limited warranty covers only those defects which arise as a result of normal use of the product, and do not apply to any:

- a. Improper or inadequate maintenance or modifications
- b. Operations outside product specifications
- c. Mechanical abuse and exposure to severe conditions

If SmartAVI receives, during applicable warranty period, a notice of defect, SmartAVI will at its discretion replace or repair defective product. If SmartAVI is unable to replace or repair defective product covered by the SmartAVI warranty within reasonable period of time, SmartAVI shall refund the cost of the product.

SmartAVI shall have no obligation to repair, replace or refund unit until customer returns defective product to SmartAVI.

Any replacement product could be new or like new, provided that it has functionality at least equal to that of the product being replaced.

SmartAVI limited warranty is valid in any country where the covered product is distributed by SmartAVI.

B. Limitations of warranty

To the extent allowed by local law, neither SmartAVI nor its third party suppliers make any other warranty or condition of any kind whether expressed or implied with respect to the SmartAVI product, and specifically disclaim implied warranties or conditions of merchantability, satisfactory quality, and fitness for a particular purpose.

C. Limitations of liability

To the extent allowed by local law the remedies provided in this warranty statement are the customers sole and exclusive remedies.

To the extent allowed by local law, except for the obligations specifically set forth in this warranty statement, in no event will SmartAVI or its third party suppliers be liable for direct, indirect, special, incidental, or consequential damages whether based on contract, tort or any other legal theory and whether advised of the possibility of such damages.

D. Local law

To the extent that this warranty statement is inconsistent with local law, this warranty statement shall be considered modified to be consistent with such law.

Smart-AVI

SMART AUDIO VIDEO INNOVATION

NOTICE

The information contained in this document is subject to change without notice. SmartAVI makes no warranty of any kind with regard to this material, including but not limited to, implied warranties of merchantability and fitness for particular purpose. SmartAVI will not be liable for errors contained herein or for incidental or consequential damages in connection with the furnishing, performance or use of this material. No part of this document may be photocopied, reproduced, or translated into another language without prior written consent from SmartAVI, Inc.

20180109



Designed and Manufactured in the USA

Tel: (800) AVI-2131 • (702) 800-0005
2455 W Cheyenne Ave, Suite 112
North Las Vegas, NV 89032

www.smartavi.com