

DVS-400

Extend a DVI-D Signal to Four Remote Displays up to 220 Feet Plus One Local Monitor



DVS-400 Extends Any DVI-D Signal up to 220 Feet to Four Displays and One Local Screen Using CAT6 Cabling While Retaining Perfect Image Quality at Resolutions up to 1920 x 1200

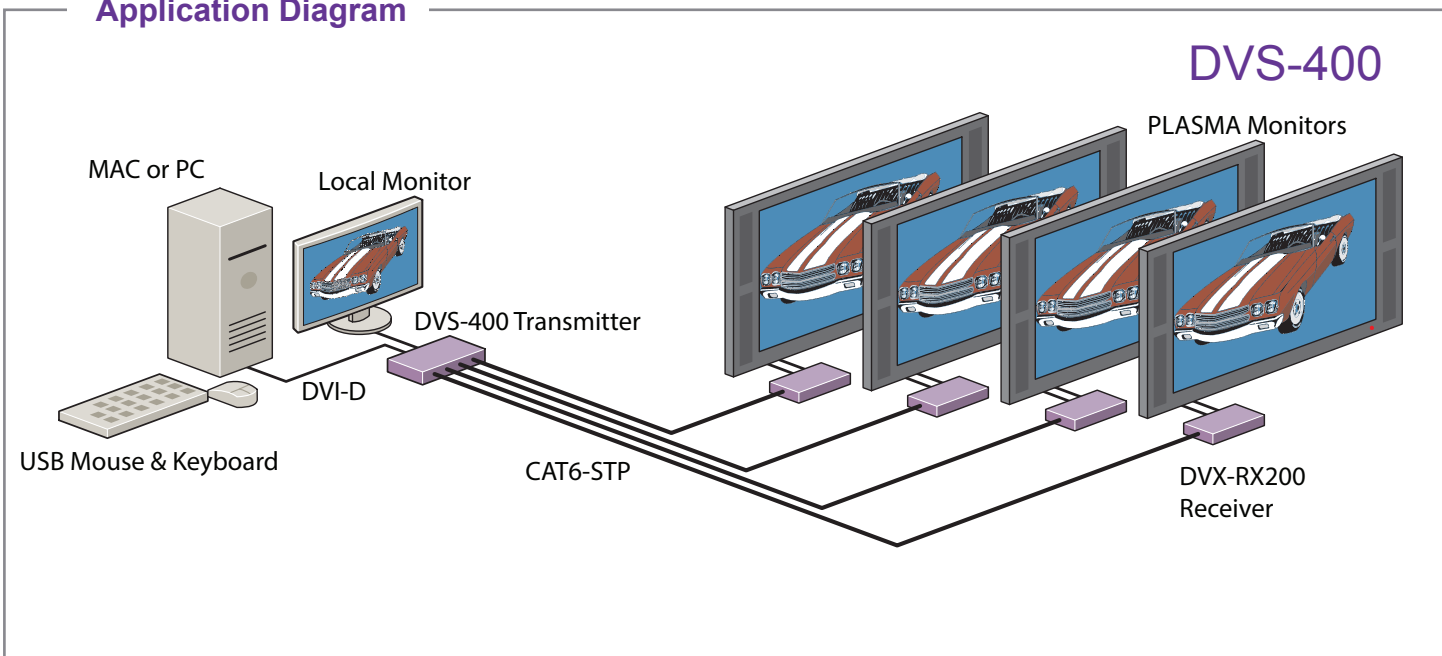
SmartAVI, Inc.'s DVS-400 allows you to extend a DVI-D signal to up to four remote displays via one small unit that also loops a signal back to your computer so local monitoring is possible and simple.

A great example would be a retail shop running its digital signage from a computer in its back office; using the DVS400, a media file or group of files could be broadcast to up to four screens situated around the store while also being viewed locally on that computer's monitor.

Quite simply, the outgoing DVI-D signal from your computer is plugged into the DVS-400. This box has one input and four outputs, so that your signal can be sent up to 220 feet over inexpensive CAT6 cables to display screens anywhere in your retail shop, lounge, etc. In addition to the four outgoing signal ports, the unit also has a loop-back port that goes back to your computer, so that you may monitor exactly what is being broadcast to the remote screens. This is all done from a single unit with one power supply.

On power-up, the DVS-400 reads and stores the EDID of the DVI monitor connected to the local loop-back port. From that point on, even if the local monitor is not attached to the unit, its DDC is retained in the flash memory of the DVS400 unit and it will operate as if the monitor were connected, offering unhindered use and simple flexibility.

Application Diagram



Features

- Local DVI-D Output
- Perfect Image Quality at all Resolutions
- Video Resolutions up to 1920 x 1200 at 60Hz (1280 x 1024 at 75Hz) on all Distances to the Maximum Limit
- Automatic DDC Learning From Local Monitor
- DDC Tables Stored in Flash Memory for Future Use
- Unit Operates Regardless of Local Monitor Connectivity
- Distances: up to 220 Feet via STP CAT5e or STP CAT6 Cable (Best Quality/Distance)
- Compatible With all Operating Systems
- Rack Mount Options (19"): Mount up to Four DVS400 Units in a 19" / 1U Rack Mount Kit, Saving Expensive Rack Space
- MAC or PC Versions Available

Specifications

Video Interface

DVI

Resolution

1920 x 1200@60Hz

Power Supply

Universal Switch mode PSU (90-240 Input) 5VDC

Input Interface

DVI-D (Single Link)

Upgradeable

Onboard Flash

Dimensions

3.75"W x 5.00"L x .875"H

Applications

- Perfect Image Quality at all Resolutions
- Call Centers (co-locate users' computers)
- Industrial (protection against pollution)
- Information Terminals & Kiosks
- Airports (air traffic control, passenger information systems)
- Medical (using computer tomographs generates strong magnetic fields, which make it impossible to use monitors)



Order Info

Model	Description
DVS400	Transmitter and Receiver for DVI over CAT6

Many leading companies have recognized and embraced the innovation of SmartAVI's technologies and have successfully incorporated them into their organizations. Users of SmartAVI include:



SmartAVI, Inc.
 11651 Vanowen St. North Hollywood, CA 91605
 Tel: (818) 503-6200 Fax: (818) 503-6208
 smartavi.com