

## TECHNICAL SPECIFICATIONS

VIDEO	
Format	DVI-D Single Link, Stereo Audio (3.5 mm)
Maximum Pixel Clock	165 MHz
Impedance	100Ω
Max Data Rate	6.75 Gbps
Resolution	Up to 1080p (1920 x1080 @ 60Hz)
Fiber Interface	LC Connector
Fiber Type	Single-mode fiber
Wavelength	Single-mode 1310nm
Transmission Distance	10km
AUDIO	
Interface	3.5mm earphone seat
Signal Type	Stereo
RS-232	
Signal Direction	Unidirectional
Max Baud Rate	115200bps (Self-adaptive)
Data Bits	8
OTHER	
Power Adapter	12VDC1A
Weight (TX+RX)	1.8 lbs.
Dimensions (Each)	1.125" H x 6" W x 4.75"D
Approvals	UL, CE, ROHS Compliant
Operating Temp	32 to 131 °F (-5 to 70 °C)
Operating Humidity	5 to 90% (no condensation)

## WHAT'S IN THE BOX

PART NO.	QTY	DESCRIPTION
FDX-AVPRO-TX	1	DVI-D Fiber Optic Extender Transmitter
FDX-AVPRO-RX	1	DVI-D Fiber Optic Extender Receiver
FDX-AVPRO-TRANSCIEVER-TX	2	Fiber Optic Transceiver Transmitter (Blue handle)
FDX-AVPRO-TRANSCIEVER-RX	2	Fiber Optic Transceiver Receiver (Yellow handle)
PS12VDC1A	2	Power Adapter
	1	Quick Start Guide

## NOTICE

The information contained in this document is subject to change without notice. SmartAVI makes no warranty of any kind with regard to this material, including but not limited to, implied warranties of merchantability and fitness for particular purpose.

SmartAVI will not be liable for errors contained herein or for incidental or consequential damages in connection with the furnishing, performance or use of this material.

No part of this document may be photocopied, reproduced, or translated into another language without prior written consent from SmartAVI Technologies, Inc.

20161130



Designed and Manufactured in the USA

**800.AVI.2131**

Tel: (818) 503-6200 | Fax: (818) 503-6208  
11651 Vanowen St. North Hollywood, CA 91605

**SmartAVI.com**

**Smart-AVI**  
SMART AUDIO VIDEO INNOVATION

**FDX-AVPRO**

HD DVI-D Fiber Optic Extender



Extends HD audio-video signals up to 10km via a single fiber optic cable

Quick Start Guide

## INTRODUCTION

Ideal for long-range HD signal transmission and real-time AV extension, the FDX-AVPRO is the premiere fiber optic extender solution in our catalogue. Built with speed, quality, and security in mind, the FDX-AVPRO sends HD DVI-D video and stereo audio signals across distances as vast as 10km without interference or risk of interception.

The FDX-AVPRO features excellent video resolutions up to 1080p (1920x1080 @ 60Hz), stereo audio support, and extends RS-232 signals. Send HD video content across vast distances with complete security; fiber optic extension is prized in government and the private sector for its speed, safety, and efficiency. Fiber optic connections are virtually impenetrable, so malicious signal tapping is never an issue. Powerful and easy-to-use, the FDX-AVPRO keeps long-distance transmission secure.

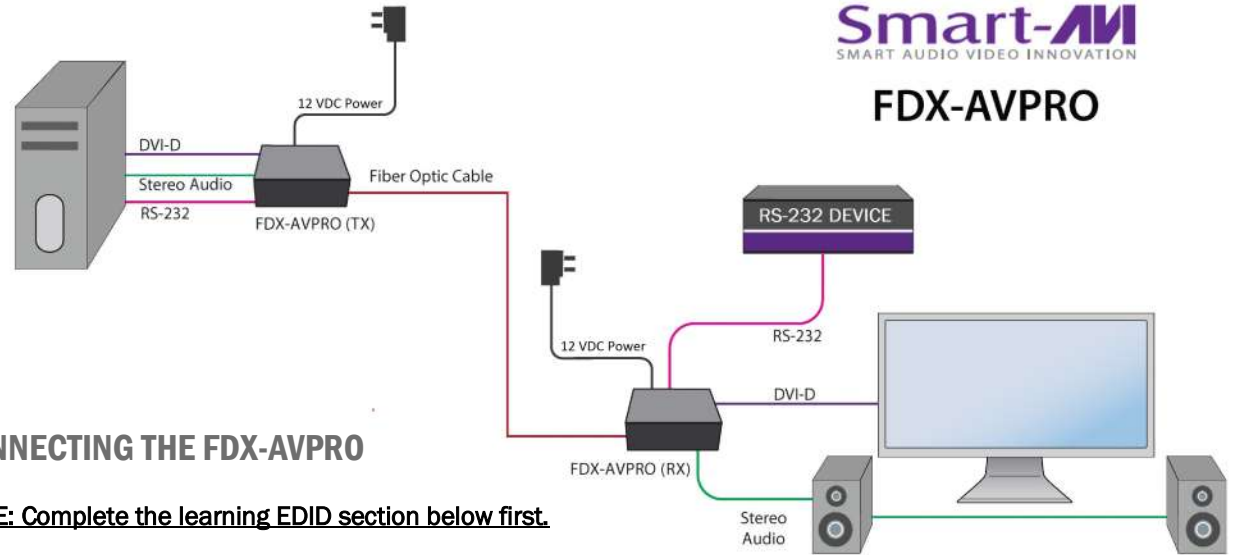
## FEATURES

- Top Signal Quality at Maximum Extension (10km)
- Superior Image Quality at all Resolutions
- Video Resolutions up to 1080p (1920x1080 @ 60Hz)
- Supports DVI-D
- RS-232 Signal Extension
- Plug-and-play ready
- Secure design and casing

## APPLICATIONS

- Corporate presentations
- Educational presentations
- Call centers
- Industrial (remote/long-range communication)
- Information terminals/kiosks
- Transportation installations (airports, train stations, bus hubs, etc...)
- Exceptional remote AV transmission
- Medical supervision (from long-distance)
- Remote recording (for audio and video content)
- Entertainment/sport venue AV

## INSTALLATION DIAGRAM



Smart-AVI  
SMART AUDIO VIDEO INNOVATION

FDX-AVPRO

## CONNECTING THE FDX-AVPRO

**NOTE: Complete the learning EDID section below first.**

### Learning the EDID settings from the DVI-D monitor.

1. Nothing should be connected to the FDX-AVPRO-TX.
2. Insert the transceiver with the blue handle into the FDX-AVPRO-TX. Do not connect a fiber optic cable yet.
3. Connect the DVI-D monitor to the FDX-AVPRO-TX and power on the DVI-D monitor.
4. Connect the supplied power adapter and power on the FDX-AVPRO-TX. The Video LED on the front should **not** be illuminated.
5. Press and hold the EDID button on the front of the FDX-AVPRO-TX until the Video LED begins to blink. **This may take up to 30 seconds.** When the Video LED begins to blink, release the EDID button. If the video LED doesn't start to blink, make sure the DVI-D monitor is on, cycle power to the FDX-AVPRO-TX and repeat step 5.
6. Disconnect the power adapter and the DVI-D monitor from the FDX-AVPRO-TX.

### Completing the Installation.

1. Connect the DVI-D monitor to the FDX-AVPRO-RX.
2. Connect a DVI-D source to the FDX-AVPRO-TX.
3. Insert the transceiver with the yellow handle into the FDX-AVPRO-RX.
4. Connect a fiber optic cable to the FDX-AVPRO-TX and connect the other end of the cable to the FDX-AVPRO-RX.
5. Optionally connect a stereo audio source to the FDX-AVPRO-TX.
6. Optionally connect speakers to the FDX-AVPRO-RX.
7. Optionally connect a computer via RS-232 cable to the FDX-AVPRO-TX.
8. Optionally connect an RS-232 cable from an RS-232 device to the FDX-AVPRO-RX.
9. Power on all signal sources and the DVI-D monitor.
10. Connect the supplied power adapters and power on the FDX-AVPRO-TX and the FDX-AVPRO-RX.

