

HDS16P

16-Port 4K/2K HDMI Splitter

Touchboards

205 Westwood Ave, Long Branch, NJ 07740
Phone: 866-94 BOARDS (26273) / (732)-222-1511
Fax: (732)-222-7088 | E-mail: sales@touchboards.com



Split any 4K/2K HDMI signal to 16 displays with no loss of quality

FEATURES

- Ultra HD | 4K 30Hz Resolution and Full 3D
- One HDMI 1.4 input signal split to 16 HDMI 1.4 sink devices
- HDCP 1.3 protocol compliant
- Supports CEC
- Supports deep color 30bit, 36bit
- Supports Blu-ray players
- Digital audio format, with DTS-HD/Dolby-trueHD/LPCM7.1/DTS/Dolby-AC3/DSD
- Supports signal retiming
- Input up to 50 feet AWG26 HDMI 1.3 standard cable length
- Output up to 80 feet AWG26 cable length
- No loss of quality
- Hardware-only solution

APPLICATIONS

- Restaurants/Bars
- Home Entertainment
- Wall Displays
- Digital Media
- Airports
- Dealer Rooms
- Control Rooms
- Audio/Visual Presentations
- Shopping Centers
- Security
- Point-of-Sale
- Hotels/Resorts



4K/2K



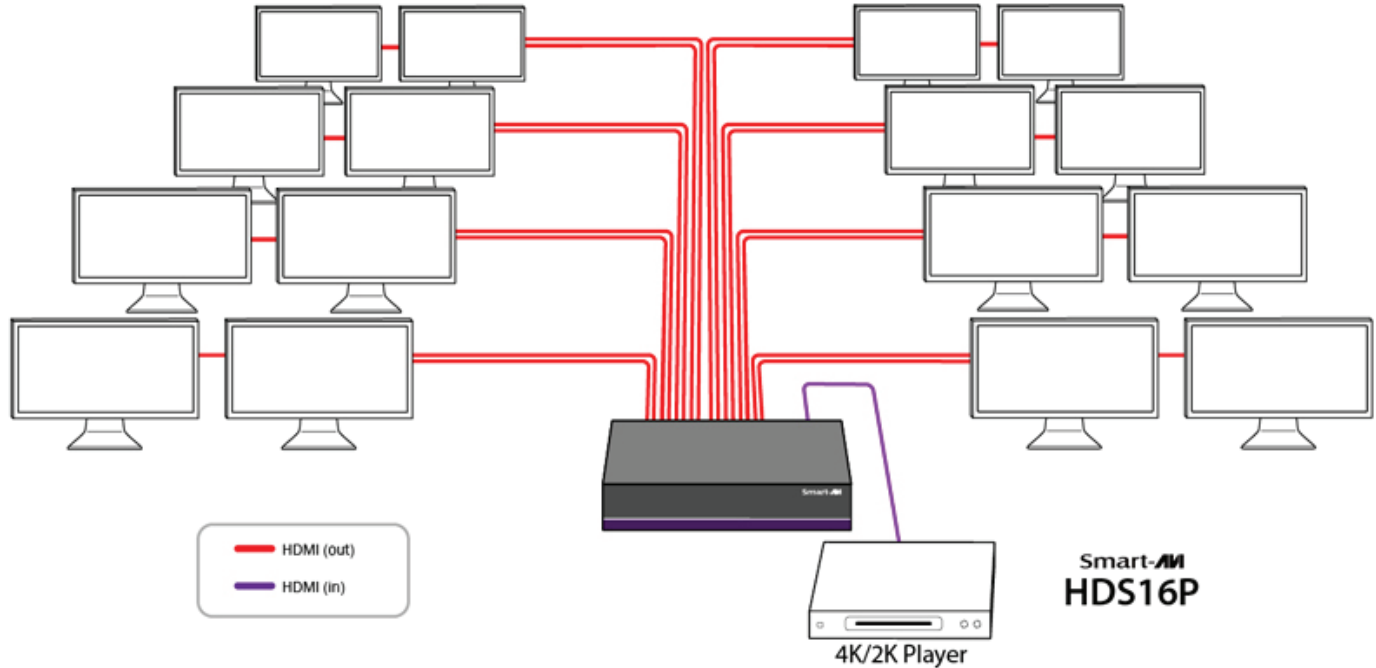
Smart-AVI
SMART AUDIO VIDEO INNOVATION

OVERVIEW

The HDSI6P HDMI splitter gives users the ability to take a single HDMI input and route it to 16 displays. With no loss of signal quality and a simple, hardware-only implementation, the HDSI6P is the easiest and most cost-effective way to get a stunning HD signal to four displays simultaneously and instantly. There's no need for multiple source devices for multiple HD displays when using this handy splitter.

The HDSI6P splitter delivers up to 10.2 Gbps data throughput and supports exciting HDMI features like 3D video and the latest in amazing 4K resolution. That means users are always getting top-quality video from the device.

APPLICATION DIAGRAM



SPECIFICATIONS



HDSI6P Front



HDSI6P Back

VIDEO	
HDMI version	HDMI 1.4a
HDCP version	HDCP1.3
HDMI resolution	Full HD 1080p (1920x1080 at 60Hz), 3D and 4Kx2K resolution
Support video color format	24bit/deep color 30bit,36bit
Support audio format	DTS-HD/Dolby-trueHD/LPCM7.1/DTS/Dolby-AC3/DSD
Max bandwidth	Up to 10.2 Gbps (all channel)
Input/Output TMDs signal	0.5~1.5Volts p-p(TTL)
Input/Output DDC signal	5Volts p-p (TTL)

OTHER	
Input cable distance	≤15m HDMI AWG26
Output cable distance	≤25m AWG26 HDMI 1.3 standard cable
Max working current	1A.
Power adapter format	Input: AC (50HZ, 60HZ) 100V-240V; Output: DC5V/4A
Operating Temperature range	(-15 to +55°C)
Operating Humidity range	5 to 90%RH (No Condensation)

ORDERING INFORMATION

Part No.	Description
HDSI6PS	16-Output HDMI Splitter Includes: [HDSI6P and (PS5V4A)]

www.smartavi.com

Tel: 800.AVI.2131 • 818.503.6200 • 11651
Vanowen St. North Hollywood, CA. 91605

Smart-AVI
SMART AUDIO VIDEO INNOVATION