

## TECHNICAL SPECIFICATIONS

VIDEO	
HDMI version	HDMI 1.3a
Color Depth	Depp Color 36/30/24 Bit @ 1080p & 3D
HDMI resolution	Up to 4K (3840x2160 @ 30Hz)
Bandwidth	10.2 Gbps
Input Video Signal	1.2 Volts P-P
Input DDC Signal	5 Volts (TTL)
AUDIO	
Audio Format	HDMI Digital Audio
IR	
Input	(1) 2.5mm DC jack (1) 3.5mm IR jack
Output	(1) RJ45 jack (1) 3.5mm IR jack
OTHER	
Power Adapter	External 5VDC2A
Dimensions	0.9"W X 2.9"D X 3.7"H
Weight	0.26 lbs.
Working Temperature	32 to 104 °F (0 to 40 °C )
Working Humidity	Up to 85% (no condensation)
Storage Temperature	-4 to 149 °F (-20 to 65 °C )
Storage Humidity	Up to 90% (no condensation)
Certificate	FCC, CE, RoHS

## WHAT'S IN THE BOX?

PART NO.	QTY	DESCRIPTION
HDX-LX-TX	1	HDBaseT HDMI/IR Transmitter
HDX-LX-RX	1	HDBaseT HDMI/IR Receiver
PS5VDC2A	1	Power Adapter
	1	Quick Start Guide

## NOTICE

The information contained in this document is subject to change without notice. SmartAVI makes no warranty of any kind with regard to this material, including but not limited to, implied warranties of merchantability and fitness for particular purpose.

SmartAVI will not be liable for errors contained herein or for incidental or consequential damages in connection with the furnishing, performance or use of this material.

No part of this document may be photocopied, reproduced, or translated into another language without prior written consent from SmartAVI Technologies, Inc.

20170303

**800.AVI.2131**

Tel: (818) 503-6200 | Fax: (818) 503-6208  
11651 Vanowen St. North Hollywood, CA 91605

**SmartAVI.com**

**Smart-AVI**  
SMART AUDIO VIDEO INNOVATION

# HDX-LX

4K HDMI/IR Extender over CAT5e/6



Boost 4K HDMI Video & infrared signals up to 250 feet with CAT5e/6.

Quick Start Guide

## INTRODUCTION

The HDX-LX is an HDMI and infrared signal extender that uses Cat5e/6 cables and HDBaseT Technology to send video up to 250 ft. from an HDMI source. The HDX-LX can extend Ultra-HD resolution video up to 4K resolution (3840x2160 @ 30Hz) with no degradation of quality, making it the ideal extender for video systems where highly detailed HDMI signals are essential.

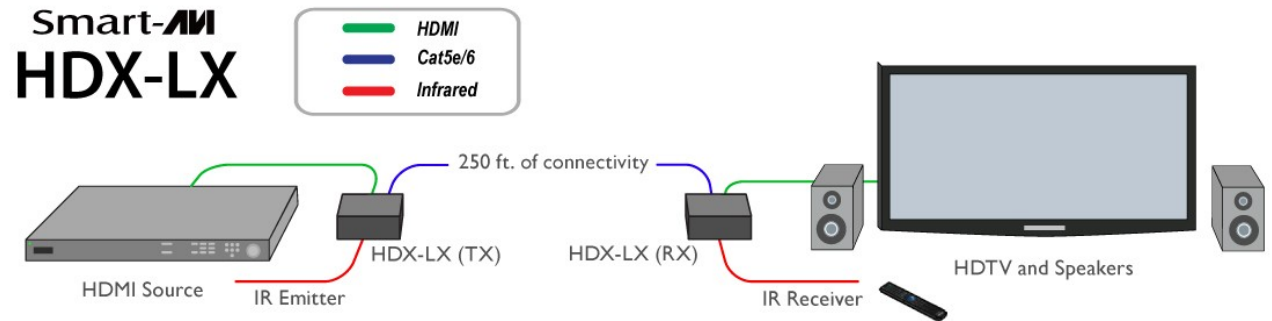
## FEATURES

- Extends HDMI HD video & digital audio signals
- Supports resolutions up to 4K (3840x2160 @ 30Hz)
- Extends Infrared Control Signals
- HDCP 1.3 and HDCP compliant
- Uses HDBaseT Technology
- Extension up to 250 feet from HDMI/IR source with Cat5e/6 cables
- Supports bi-directional IR communication
- Data signals up to 3.4Gbps
- Plug-and-play

## APPLICATIONS

- Restaurants/Bars
- Home Entertainment Systems
- Wall Displays
- Digital Media Displays
- Airport Displays
- Dealer Room Displays
- Control Room Video Systems
- Audio/Visual Presentation Systems
- Shopping Centers
- Security
- Point-of-Sale
- Hotels/Resorts

## APPLICATION DIAGRAM



## HARDWARE INSTALLATION

1. Power off the HDMI source device and displays.
2. Connect an HDMI cable from the HDMI source to the input port on the HDX-LX.
3. Connect HDMI displays to the HDMI outputs on the HDX-LX.
4. Connect the power supply to the HDX-LX.
5. Power on the HDMI device and the displays.

### HDX-LX TX



### HDX-4LX RX

