

RK8-HDX-POE

8-Port HDMI, IR and Power Extender Rack Over Cat5e/6



Touchboards

205 Westwood Ave, Long Branch, NJ 07740
Phone: 866-94 BOARDS (26273) / (732)-222-1511
Fax: (732)-222-7088 | E-mail: sales@touchboards.com

Consolidate up to eight HDMI extenders in one powered rack unit to transmit HD signals using Cat5e/6

FEATURES

- Extends HDMI, IR, and Power Output over Cat5e/6
- Extends IR Control Signals for Remote Control
- Uses HDBaseT Technology
- Full HD support: 1080p@60Hz@48 bit/pixels, 1080p@120Hz@24 bit/pixels, 3D 1080P60Hz and 4K x 2K@30Hz@24bit
- Data Signals up to 3.4Gbps
- HDMI 1.4 and HDCP Compliance
- Power receiver from transmitter
- Transmits Dolby TrueHD, DTS-HD MA Audio Signals
- Transmits 1080p Resolution Video up to 250 ft
- Rack mountable
- Up to 8 units on single rack



4K/2K

Smart-AVI
SMART AUDIO VIDEO INNOVATION

OVERVIEW

The RK8-HDX-POE is the perfect solution for extending HDMI signals to a remote location up to 250 feet away. It is the ideal way to consolidate up to eight workstation computers into one location. It is fully compatible with MAC, PC and LINUX HDMI standards. Up to eight displays can be extended easily from a rack without the mess or expense of multiple extenders. Rather than buy multiple extenders for rack components, and having to find power strips or numerous power outlets for the adapters, the SmartAVI rack series of extenders allows for up to eight inputs and eight outputs with only one power supply.

APPLICATIONS

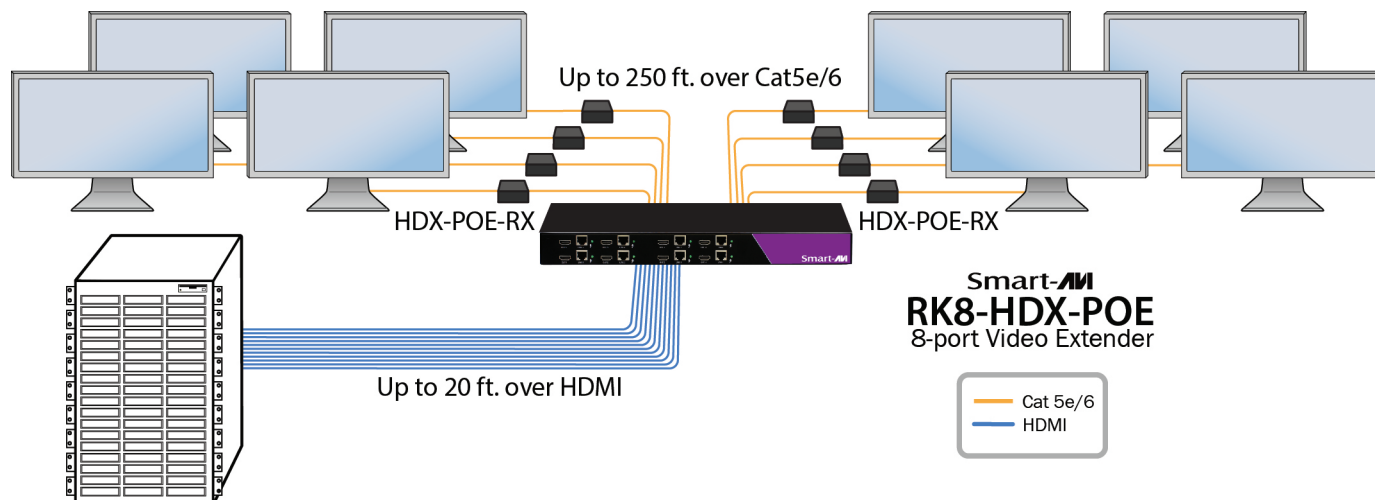
MEDICAL FIELD - In the medical field where sensitive electronic devices are used, isolating workstation computers can be a matter of safety. The RK8-HDX-POE allows the workstation computers to be housed in a central location, away from sensitive devices.

INDUSTRIAL WORK AREAS - In industrial work areas that may be too harsh for a workstation computer, the RK8-HDX-POE can consolidate the computers into a safe location.

DIGITAL SIGNAGE - When it comes to digital signage, the RK8-HDX-POE is an excellent deployment option. With the RK8-HDX-POE, up to eight digital signage devices can be centralized and secured from public access.

INFORMATION KIOSKS/DISPLAYS - As with most information booths and kiosks, there is a risk of damage or theft. The RK8-HDX-POE is the best way to secure computer hardware, by consolidating it to a secure location away from public access.

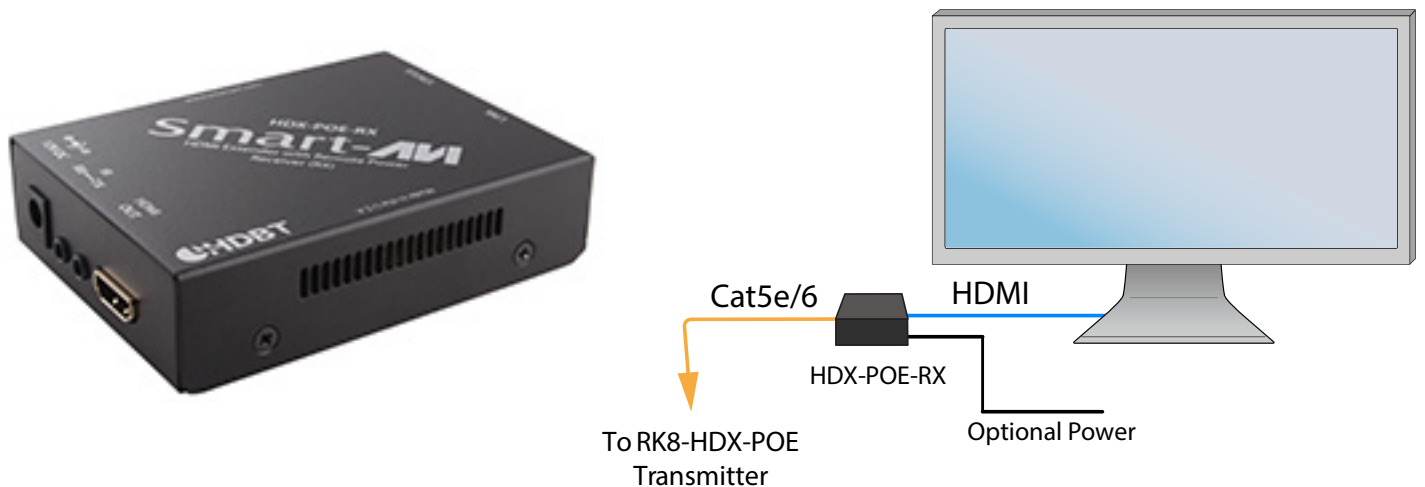
APPLICATION DIAGRAM



RACK TO ENDPOINT -

If your company uses a rack of source devices, whether it be computer servers, DVD players or other hardware, the RK8-HDX-POE allows you to run all of those components into one extension box that supports up to eight inputs/outputs on one power supply. In this example, source signals are being routed from a company rack through the RK8-HDX-POE to multiple displays. The rack utilizes SmartAVI's HDX-POE-RX receiver unit at the end point to convert the Cat5e/6 feed back into an HDMI signal. The receiver has the option to be powered from the transmitter.

HDX-POE-RX



SmartAVI's HDX-POE-RX is an innovative solution to extending any HDMI signal – be it a gaming console, Blu-Ray player, computer, etc. – over inexpensive Cat5/e6 STP cabling up to 250 feet away to one remote display and one local screen for real-time monitoring of content. This is the perfect solution for broadcasting high-definition media easily and inexpensively from a source to display screen for customers to view while keeping the CPU in a remote, secure location such as a computer room or back office of a business. Utilizing the HDX-POE-RX, users can monitor what's being shown to customers in real-time via a local display while users retain full control over the CPU or HDMI source, accessible only by key personnel. The HDX-POE-RX is a compact unit that is easily integrated into a digital display network in a retail store, bar/lounge or other venue. The receiver unit is small and light, which makes inclusion into infrastructure very simple.



HDX-POE-RX Front



HDX-POE-RX Back

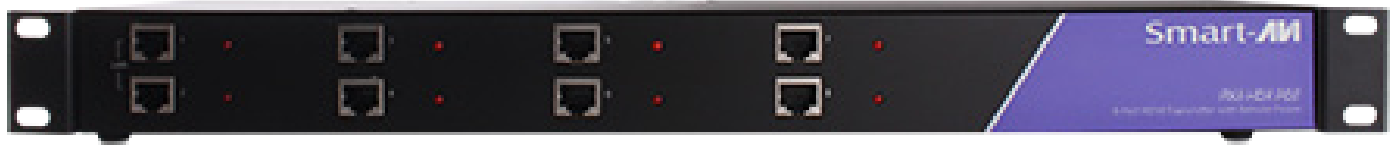
SPECS

Video Output	HDMI (DVI-D with Adaptor)
Resolution	1920 x 1200 @60Hz or 480p/720i/720p/1080i/1080p; 4K x 2K@30Hz@24bit
Dimensions	2.75"W x 3.875"L x 1"H
Input	(1) RJ-45
Bandwidth	1.65 Gps
Power Adaptor	PS12VDC2A (optional)

Touchboards

205 Westwood Ave, Long Branch, NJ 07740
Phone: 866-94 BOARDS (26273) / (732)-222-1511
Fax: (732)-222-7088 | E-mail: sales@touchboards.com

SPECIFICATIONS



RK8-HDX-POE Front



RK8-HDX-POE Rear

VIDEO	
Resolution	800X600, 1024X768 , 1280X1024, 1366X768, 1920X1200, 480i, 720p, 1080i, 1080p, 4K x 2K@30Hz@24bit
Transmission distance:	70 meters
Color Depth	Deep Color 36/30/24 Bit at 1080p and 3D
Audio Format	Up to PCM 8 channel, Dolby Digital TrueHD, and DTS-HD Master Audio
IR Range	38kHz, 56kHz
Video Bandwidth	10.2Gbps
Input Video Signal	1.2 Volts P-P
Input DDC Signal	5 Volts(TTL)
I/O CONNECTOR (Transmitter)	
Input	8 x (HDMI-A) 19PIN Socket 8 x 3.5mm Jack for IR Receiver
Output	8 x RJ45 Jack

I/O CONNECTOR (Receiver)	
Input	1 x RJ45 Jack 1 x 3.5mm Jack for IR Receiver 5 x 2.5mm
Output	1 x 3.5mm Jack for IR Emitter 1 x HDMI-A 19PIN Socket
MECHANICAL - Transmitter	
Dimensions (H-W-D)	17"x 6" x 1.7
Weight	3.26 lbs
Power	Internal 110/220V 12V8A
ENVIRONMENTAL	
Operating Temperature	+0 to +40° C (+32° to 104° F)
Operating Humidity	10% to 85% (Non-condensing)
Storage Temperature	-20° to +60°C (-4° to +140° F)
SAFETY	
Certificate	FCC, CE, RoHS
Power Adapter	UL, CE, FCC, RoHS

ORDERING INFORMATION

Part No.	Description
RK8-HDX-POE-S	HDBaseT Rack for 8 HDMI & IR Extenders over a Single Cat5e/6 Cable. Includes: [RK8-HDXPOE-TX and (CCWPWR)]
HDX-POE-RX-S	HDX Receiver. HDMI Receiver over Cat5e/6 STP. Includes: [HDX-POE-RX & (PS12VDC2A)]



Designed and Manufactured in the USA

www.smartavi.com

Tel: 800.AVI.2131 • 818.503.6200 • 11651
Vanowen St. North Hollywood, CA. 91605

Smart-AVI
SMART AUDIO VIDEO INNOVATION