

# SDX-XT-2P

DUAL HEAD DVI-D, USB 2.0 AND AUDIO KVM CAT5/6 EXTENDER



EXTEND DIGITAL VIDEO DUAL HEAD DVI-D 1920X1200, USB 2.0, USB KEYBOARD/MOUSE AND AUDIO UP TO 500 FT OVER TWO CAT5/6 UNCOMPRESSED

## FEATURES

- Extends dual DVI-D up to 500 feet from the source
- HDCP Support
- Supports up to 1920 x 1200 digital video resolution @ 60 Hz
- Automatic DDC Learning
- USB Keyboard and Mouse extension
- Uncompressed Video
- External power adapter for transmitter and receiver unit
- Supports Stereo Sound
- Compatible with Windows, Mac and Linux Operating Systems
- Transparent USB 2.0 extension

## APPLICATIONS

- Digital Signage
- Security
- PC Networking
- Conference Center Systems
- Point of Sale
- Camera Surveillance
- Video Phone
- Control Room Systems
- Recording Studio
- PC KVM Extension



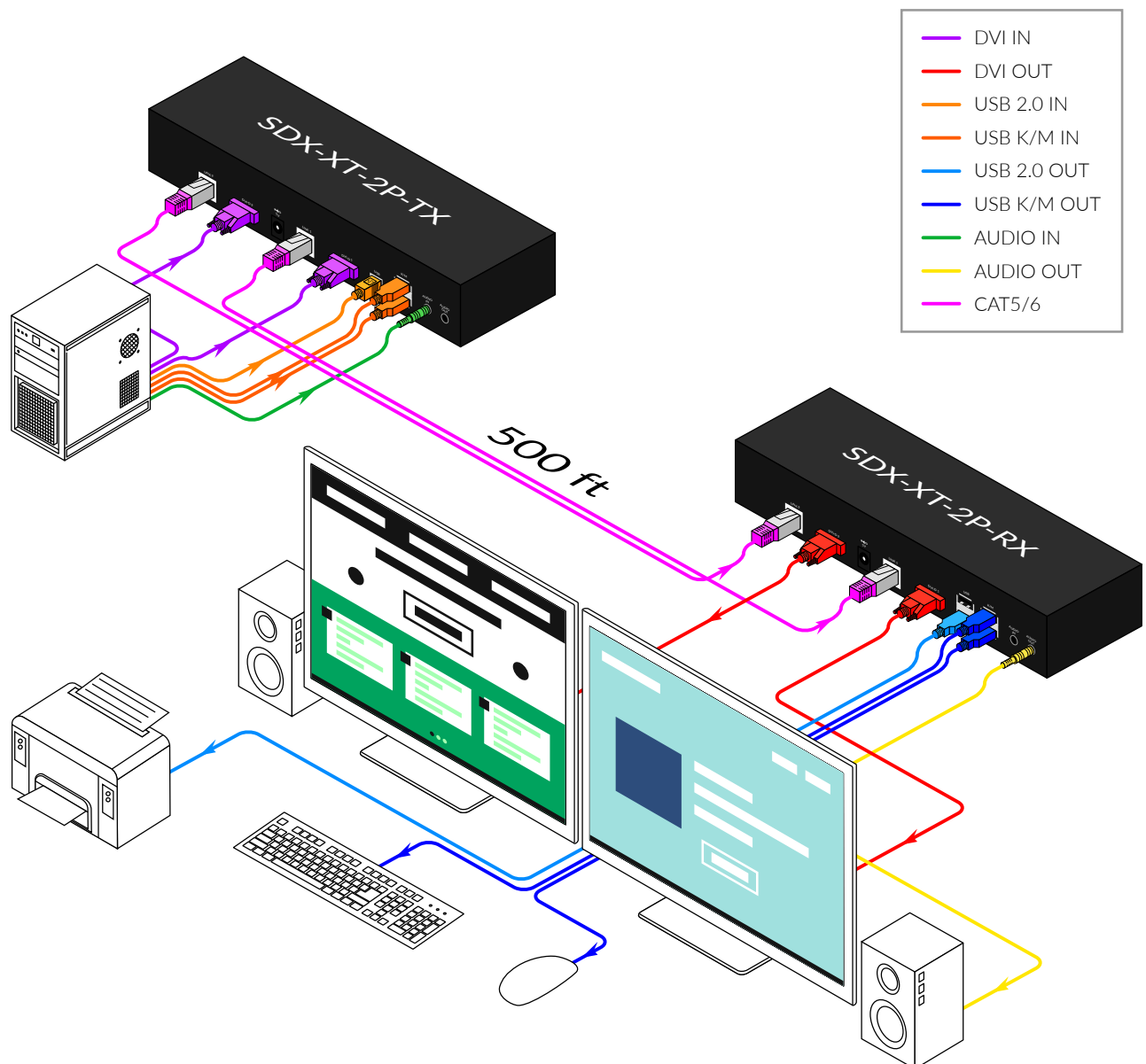
Designed and Manufactured in the USA

# OVERVIEW

The SDX-XT-2P is a Dual Head DVI-D (1920x1200), USB 2.0, USB keyboard-mouse and stereo audio extender, sending signals up to 500 ft (152 m) away over two conventional and inexpensive CAT5/5e/6 cables. This new technology is superior to older DVI extenders that require a special CAT6 shielded cable to go a short distance.

The SDX-XT-2P is the first extender on the market to feature 1920 x 1200, USB 2.0 and full KVM extension on one cohesive system and is optimized for Full HD monitors with crystal-clear picture; excellent for detail driven work.

The SDX-XT-2P extends keyboard-mouse signals for remote workflow management and offers uninterrupted emulation from the user's transmitter unit. This uninterrupted emulation prevents accidental disconnection or deactivation issues during mission critical operations. The SDX-XT-2P's unparalleled KVM extension technology makes it the perfect solution for extending servers in applications ranging from data processing to interactive conferencing.



# REAL WORLD APPLICATIONS

## SECURITY

When managing content in high-security environments, creating a safe and secure control room is critical. In the vast majority of such applications, that requires routing signals from a server room, where the computers are safely stored, to a control room, where approved personnel access the data and video feeds. Whether that's in a security surveillance center, an operations control room or some other security-related environment, being able to extend video, audio and USB is a must.

The SDX-XT-2P provides system architects with the flexibility they need to create secure environments for servers as well as the end users accessing those computers. And with quad DVI-D signal extension, users can manage their connected computers with expanded display options, enabling them to stay in control of their content at all times.

## DIGITAL SIGNAGE

Managing a multi-screen digital signage solution requires some important foresight regarding the signal path to those informative and attractive displays. Particularly when it comes to properly scheduled, updated and managed content being displayed, it's much more efficient to keep all of the digital signage hardware in one central location and to extend the video signals out from there.

That means signal extension is an important part of a smart digital signage solution, and the SDX-XT-2P gives users the flexibility they want and need to place their digital signage screens in the right locations to maximize their effectiveness.

## AUDIO AND VISUAL RECORDING

For users in the recording arts, maintaining the utmost in signal and recording fidelity is an absolute necessity. For video recording, it is often important that no unsightly computers are visible. Similarly, audio engineers must keep noisy computers away from the rooms where recording happens to ensure the final product sounds professional. In both such instances, the SDX-XT-2P gives users the ideal way to keep their servers or computers away from areas that audio or video recording is being done, ensuring a better final product.

# EXTENDER UNITS



SDX-XT-2P-TX Front



SDX-XT-2P-RX Front



SDX-XT-2P-TX Back



SDX-XT-2P-RX Back

# TECHNICAL SPECIFICATIONS

VIDEO	
Format	DVI-D (HDMI-ready with adapter)
Video Resolution	Resolution: high definition 1920 x 1200 Color Depth: 24-bit color depth Latency: less than 1 ms
Video Bandwidth	Single-link 340 MHz (10.2 Gbps)
Input Interface (TX)	(2) DVI-I 29-pin
Output Interface (RX)	(2) DVI-I 29-pin
Max Output Distance	Up to 1920 x 1200 @ 60 Hz
Equalization	Automatic
Input TMDs Signal	1.2 Volts [peak-to-peak]
Input DDC Signal	5 Volts [peak-to-peak, TTL]
Data Rate	1.65 Gbps per color

AUDIO	
Format	Stereo
Input Interface	3.5 mm Jack Socket (female)
Output Interface	3.5 mm Jack Socket (female)

USB	
Input Interface (TX)	(1) USB Type B
Output Interface (RX)	(2) USB 1.1 Type A for KM Devices; (2) USB 2.0 Type A Transparent
Keyboard and mouse	Keyboard and mouse emulation

SYSTEM	
Interface	RJ-45
Cable Requirements	CAT5/5e/6
Maximum Length	500 ft

OTHER	
Power	100-240 VAC/ 5VDC @ 3A/15W
Dimensions	11.9" W x 1.7" H x 2.9" D
Weight	1.75 lb (per unit)
Approvals	UL, CE, ROHS Compliant
Environmental Operating Temperature	+32 to +104°F (0 to +40°C)
Environmental Operating Humidity	20% to 80% (non condensing)
Storage Temperature	-4 to 140°F (-20 to +60°C)
Storage Humidity	Up to 95% (No Condensation)
Compliance EMC	FCC (Class A), CE (Class A), ICES-003
Environmental Compliance	RoHS2 (CE)
Support Warranty	1-year

PART NO.	DESCRIPTION
SDX-XT-2P-S	Dual Head DVI-D, USB 2.0, Audio, CAT5/5e/6 Extender. Includes: [SDX-XT-2P-TX-S, SDX-XT-2P-RX-S, 2 X (PS5VD3A)]
SDX-XT-2P-TX-S	Dual Head DVI-D, USB 2.0, Audio, CAT5/5e/6 Transmitter. Includes: [SDX-XT-2P-TX-S, PS5VD3A-WLLMNT]
SDX-XT-2P-RX-S	Dual Head DVI-D, USB 2.0, Audio, CAT5/5e/6 Receiver. Includes: [SDX-XT-2P-RX-S, PS5VD3A-WLLMNT]

[www.smartavi.com](http://www.smartavi.com)

Tel: (800) AVI-2131 • (702) 800-0005  
2455 W Cheyenne Ave, Suite 112  
North Las Vegas, NV 89032

**Smart-AVI**  
SMART AUDIO VIDEO INNOVATION