

TECHNICAL SPECIFICATION

VIDEO	
Format	DVI-D (HDMI-ready with adapter)
Video Resolution	High resolution 1920x1200; 24-bit color depth; Less than 1 ms of latency
Video Bandwidth	Single-link 340 MHz (10.2 Gbps)
Input Interface (TX)	(2) DVI-I 29-pin
Output Interface (RX)	(2) DVI-I 29-pin
Max Output Distance	Up to 1920x1200 @ 60Hz
Equalization	Automatic
Input TMDS Signal	1.2 Volts [peak-to-peak]
Input DDC Signal	5 Volts [peak-to-peak, TTL]
Data Rate	1.65 Gbps per color
AUDIO	
Format	Stereo
Input Interface	3.5 mm Jack Socket (female)
Output Interface	3.5 mm Jack Socket (female)
USB	
Input Interface (TX)	(1) USB Type B
Output Interface (RX)	(2) USB 1.1 Type A for KM Devices; (2) USB 2.0 Type A Transparent
Keyboard and mouse	Keyboard and mouse emulation
SYSTEM	
Interface	RJ-45
Cable Requirements	CAT5/5e/6
Maximum Length	500 ft
OTHER	
Power	100-240 VAC/ 5VDC @ 3A/15W
Dimensions	11.9" W x 1.7" H x 2.9" D
Weight	1.75 lb (per unit)
Approvals	UL, CE, ROHS Compliant
Operating Temp.	+32 to +104 °F (0 to +40 °C)
Storage Temp.	-4 to 140 °F (-20 to +60 °C)
Humidity	Up to 95% (No Condensation)
Compliance EMC	FCC (Class A), CE (Class A), ICES-003
Envr. Compliance	RoHS2 (CE)
Support Warranty	1-year

WHAT'S IN THE BOX

PART NO.	Q-TY	DESCRIPTION
SDX-XT-2P-S	1	Dual Head DVI-D, USB 2.0, Audio, CAT5/5e/6 Extender.
PS5VD3A-WLLMNT	2	PS5VD3A Power Supply
Quick Start Guide	1	

NOTICE

The information contained in this document is subject to change without notice. SmartAVI makes no warranty of any kind with regard to this material, including but not limited to, implied warranties of merchantability and fitness for particular purpose.

SmartAVI will not be liable for errors contained herein or for incidental or consequential damages in connection with the furnishing, performance or use of this material.

No part of this document may be photocopied, reproduced, or translated into another language without prior written consent from SmartAVI Technologies, Inc.



800.AVI.2131, 702.800.0005
2455 W Cheyenne Ave, Suite 112
North Las Vegas, NV 89032

SmartAVI.com

Smart-AVI
SMART AUDIO VIDEO INNOVATION

SDX-XT-2P

Dual Head DVI-D, USB 2.0 and Audio KVM CAT5/6 Extender



**EXTEND DIGITAL VIDEO
DUAL HEAD DVI-D 1920X1200,
USB 2.0, USB KEYBOARD/
MOUSE AND AUDIO
UP TO 500 FT OVER TWO
CAT5/6 UNCOMPRESSED**

Quick Start Guide

ABOUT SDX-XT

The SDX-XT-2P is a Dual Head DVI-D (1920x1200), USB 2.0, USB keyboard-mouse and stereo audio extender, sending signals up to 500ft (152m) away over two conventional and inexpensive CAT5/5e/6 cables. This new technology is superior to older DVI extenders that require a special CAT6 shielded cable to go a short distance.

The SDX-XT-2P is the first extender on the market to feature 1920 x 1200, USB 2.0 and full KVM extension on one cohesive system and is optimized for Full HD monitors with crystal-clear picture; excellent for detail driven work.

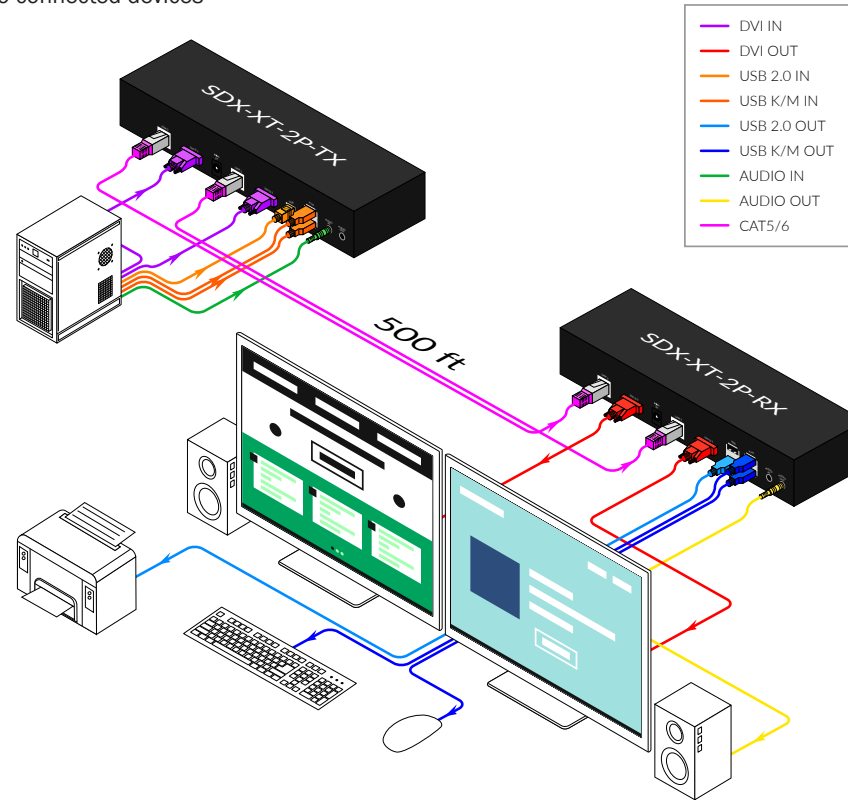
The SDX-XT-2P extends keyboard-mouse signals for remote workflow management and offers uninterrupted emulation from the user's transmitter unit. This uninterrupted emulation prevents accidental disconnection or deactivation issues during mission critical operations. The SDX-XT-2P's unparalleled KVM extension technology makes it the perfect solution for extending servers in applications ranging from data processing to interactive conferencing.

FEATURES

- Extends dual DVI-D up to 500 feet from the source
- HDCP Support
- Supports up to 1920 x 1200 digital video resolution @ 60 Hz
- Automatic DDC Learning
- USB Keyboard and Mouse extension
- Uncompressed Video
- External power adapter for transmitter and receiver unit
- Supports Stereo Sound
- Compatible with Windows, Mac and Linux Operating Systems
- Transparent USB 2.0 extension

HARDWARE INSTALLATION

1. Turn off connected devices
2. Connect cables between signal source device and TX unit's input ports
3. Connect cables between the RX unit's output ports and end-point device
4. Connect TX and RX via CAT5e/6 cable
5. Connect power supply to either TX and RX units
6. Turn on TX and RX units
7. Return power to connected devices



SDX-XT-2P-RX FRONT



SDX-XT-2P-TX FRONT



SDX-XT-2P-RX BACK



SDX-XT-2P-TX BACK

