

SFX

DVI-D & USB 2.0 FIBER EXTENDER FAMILY

Crystal Clear
Fiber Optic
Digital Video



**DVI-D, USB 2.0,
Audio and RS232
OVER TWO FIBER
OPTIC CABLES!**

DVI-D, USB 2.0, Audio and RS232 Fiber Extender

DVI-D and USB 2.0 Extender up to 1,500 feet over Fiber Optic Cable

The SFX is a perfect solution for extending DVI-D and USB 2.0 signals from a computer in a remote location up to 1,500 feet away. It supports high-resolution DVI-D video and all USB device types from high-speed web cams, hard drives, printers, scanners, audio devices, touch screens, digital cameras and game controllers. The SFX is immune to electromagnetic interference, making it ideal for use in situations where there is considerable interference. The SFX is also very secure because it's fiber optic signals cannot be easily tapped.

FEATURES

- Top Signal Quality at Maximum Extension Over Multimode Fiber (1,500 ft.) Plug Type LC
- DVI-D Video Resolutions up to 1920 x 1200 WUXGA at 60Hz
- Automatic Learning DDC for Mac/PC
- Supports USB 1.1 (12 Mbps) and USB 2.0 (480 Mbps) data rates
- Supports all USB device types transparently (no emulation) from high-speed web cams, hard drives, printers, scanners, audio devices, touch screens, game controllers and more
- Integrated Four-Port Hub in the receiver
- Compatible with all operating systems
- Extends Stereo Audio
- Extends RS-232
- Plug and play

APPLICATIONS

- Medical Applications
- Industrial Work Areas
- Home Theater Integration
- Digital Signage Deployment
- Information Kiosks/Displays
- Film/Recording Studios



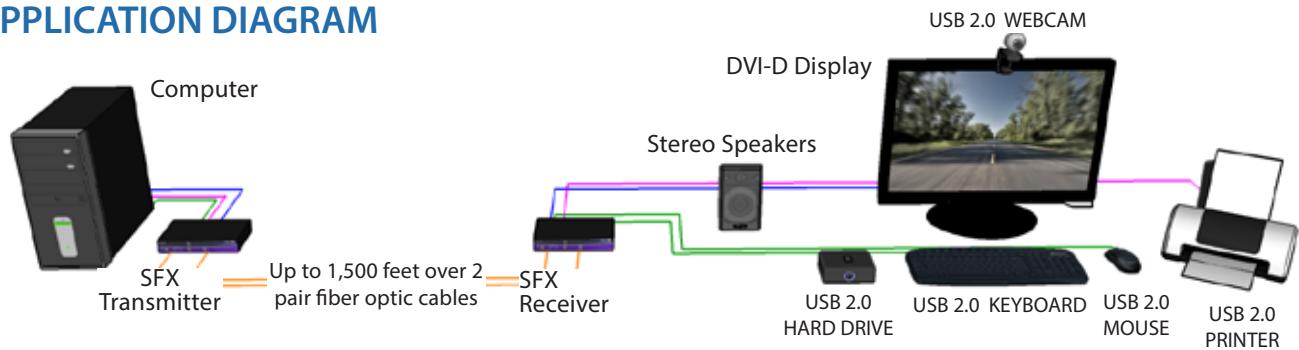
Made in the USA

Smart-AVI
SMART AUDIO VIDEO INNOVATION

www.smartavi.com

SPECIFICATIONS

APPLICATION DIAGRAM



VIDEO	
Format	DVI-D Single Line
Maximum Pixel Clock	165 MHz
Input Interface (TX)	(1) DVI-D 29-pin female
Output Interface (RX)	(1) DVI-D 29-pin female
Resolution	Up to 1920 x 1200 @60Hz
DDC	5 volts p-p(TTL)
Input Equalization	Automatic
Input Cable Length	Up to 20 ft.
Output Cable Length	Up to 20 ft.
USB	
Signal Type	EHCI (USB 2.0) and OHCI/UHCI (USB 1.1)
Input Interface (TX)	(1) USB Type B (Female)
Output Interface (RX)	(4) USB Type A (Female)
AUDIO	
Signal Type	Stereo Audio
Bandwidth	15MHz, 0dB
Impedance	10K Ohm
Connector	3.5mm Stereo Mini Female
RS232	
Input Interface (TX)	DB9 Female
Output Interface (RX)	DB9 Male
Speed	Up to 115 Kbps
OTHER	
Power	External 100-240 VAC/5VDC4A @20W
Dimensions	8.5 in W x 1.85 in H x 5.375 in D
Weight	1.5 lb
Operating Temp.	0-55 °C (32-131°F)
Storage Temp.	-20-85 °C (-4-185 °F)
Humidity	Up to 95%

OPTICAL	
Fiber Type	Duplex, multi mode
Connector Type	Duplex LC
Wavelength	1310 nm/1550 nm (Dual wavelength)
Data Rate	2x2.5 Gbps (2.5 Gbps per single wavelength)
Transmission Power	-5 dB Min.
Receiver Sensitivity	-21 dB Max
Distance	500 m Max.
ORDERING INFORMATION	
Part No.	Description
SFX-M-S	DVI-D + USB2.0 + Audio + RS232 Extender: Includes, SFX-TX, SFX-RX, 2 PS5VDC4A

Many leading companies have recognized and embraced the innovation of SmartAVI's technologies and have successfully incorporated them into their organizations.

Clients of SmartAVI include:



SmartAVI, Inc. / Twitter: smartavi - 11651 Vanowen St. North Hollywood, CA 91605
Tel: (818) 503-6200 Fax: (818) 503-6208 - <http://www.SmartAVI.com>

Smart-*AVI*
SMART AUDIO VIDEO INNOVATION


Made in the USA

www.smartavi.com