

What's in the Box?

PART NO.	QTY	DESCRIPTION
EDID-Mirror-2P	1	2-Port DVI-D EDID Emulator
Power Supply	1	PS5VDC2A

Technical Specifications

DVI-D VIDEO	
Format	DVI-D Single Line
Maximum Pixel Clock	165 MHz
Input Interface	(2) DVI-D 29-pin female
Output Interface	(2) DVI-D 29-pin female
Resolution	Up to 1920 x 1200 @60Hz
DDC	5 volts p-p(TTL)
Input Equalization	Automatic
Input Cable Length	Up to 10 ft.
Output Cable Length	Up to 10 ft.
OTHER	
DDC Signal	5 Volts [peak-to-peak], TTL
TDMS Signal	1.2 Volts[peak-to-peak], TTL
Power	External 5VDC2A @ 10W
Dimensions	5"W x 1.75"H x 2.175"D
Weight	0.3 lbs.
Approvals	Device: CE, ROHS Power Supply: C-UL US, CE

© Copyright 2012 SmartAVI, All Rights Reserved

NOTICE

The information contained in this document is subject to change without notice. Smart-AVI makes no warranty of any kind with regard to this material, including but not limited to, implied warranties of merchantability and fitness for any particular purpose.

Smart-AVI will not be liable for errors contained herein or for incidental or consequential damages in connection with the furnishing, performance or use of this material.

No part of this document may be photocopied, reproduced or translated into another language without prior written consent from Smart-AVI.

For more information, visit www.smartavi.com.

Rack Mountable Option



Our SmartRack is the perfect solution to allow virtually all SmartAVI devices to be custom mounted in a standard 19" server rack. The SmartRack is fully adjustable and can secure/organize several devices.



Installation Manual

EDID-Mirror-2P 2-Port DVI-D EDID Emulator



Learn and Emulate the EDID of up to 2 DVI-D displays



SmartAVI, Inc. / Twitter: smartavi
11651 Vanowen St. North Hollywood, CA 91605
Tel: (818) 503-6200 Fax: (818) 503-6208
<http://www.SmartAVI.com>

www.smartavi.com

Introduction

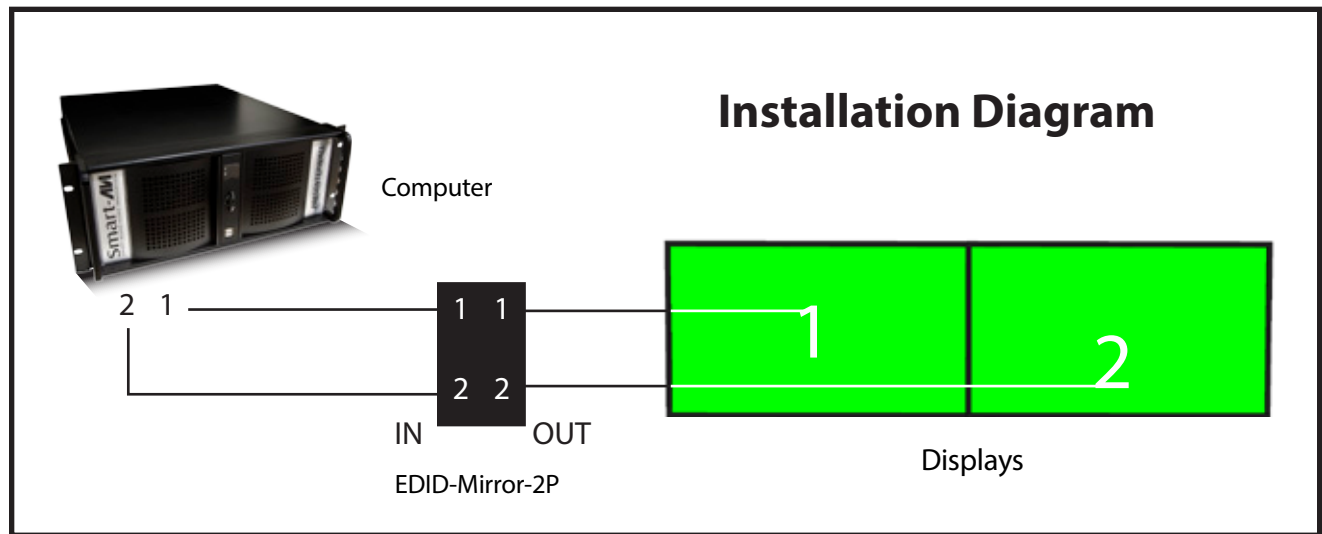
Eliminate the Headache of Display Configuration and Auto-detection with SmartAVI's EDID-Mirror. The EDID-Mirror prevents Windows7, XP and Linux from auto-configuring your displays if your computer is started up with the displays disconnected or turned off. Certain operating systems, especially Windows 7, have a display auto-detection feature that can reconfigure your displays if they are not powered on or connected at startup. This can lead to the frustrating task of reconfiguring your displays. The solution is the EDID-Mirror, a DVI-D EDID (Extended Display Identification Data) emulator that provides a constant signal to the computer, regardless of whether the displays are present or not. This ensures that the display configuration is not lost.

Features

- Learn up to 2 EDID configurations at once
- Stores EDID configuration in non-volatile memory so that the unit may be powered off and the configuration will not be lost
- Displays can be disconnected as needed without losing EDID configuration
- Uses standard EDID configuration standards
- Compatible with most DVI-D displays and all Windows versions

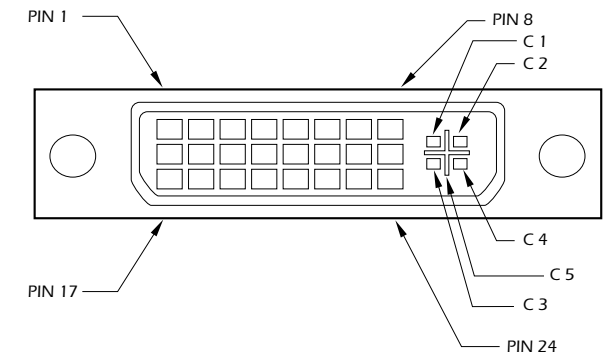
ABOUT EDID

EDID provides plug-and-play capability to your displays. When you plug a display into your computer, the EDID table in the display tells the computer the optimal resolution to use.



Learning the EDID

1. Disconnect the Video Wall processor (computer) from the EDID-Mirror-2P.
2. Connect the EDID-Mirror-2P to the displays as shown in the above diagram.
3. Power on the EDID-Mirror-2P by plugging it in.
4. Power on the Displays.
5. Configure your displays as desired.
6. The activity lights on the EDID-Mirror-2P will be steadily illuminated.
7. Press and hold the LEARN button until both the activity lights turn off. (approximately 2 seconds)
8. Release the LEARN button.
9. The activity lights will blink slowly while the EDID is learned.
10. When the learning is completed, both activity lights will quickly blink alternately indicating that the EDID has been learned. (If the learning fails, the activity lights will turn off for approximately 2 seconds)
11. Connect the EDID-Mirror-2P to the Video Wall processor (computer).
12. It is now safe to disconnect the DVI-D cables from the displays without losing your configuration.
13. The EDID information is stored even if the EDID-Mirror-2P is powered off.



Pin #	Signal	Pin #	Signal
1	T.M.D.S Data 2-	16	Hot Plug Detect
2	T.M.D.S Data 2+	17	T.M.D.S Data 0-
3	T.M.D.S Data 2/4 Shield	18	T.M.D.S Data 0+
4	T.M.D.S Data 4-	19	T.M.D.S Data 0/5 Shield
5	T.M.D.S Data 4+	20	T.M.D.S Data 5-
6	DDC Clock	21	T.M.D.S Data 5+
7	DDC Data	22	T.M.D.S Clock Shield
8	Analog Vert. Sync	23	T.M.D.S Clock+
9	T.M.D.S Data 1-	24	T.M.D.S Clock -
10	T.M.D.S Data 1+		
11	T.M.D.S Data 1/3 Shield	C1	Analog Red
12	T.M.D.S Data 3-	C2	Analog Green
13	T.M.D.S Data 3+	C3	Analog Blue
14	5□□□□□	C4	Analog Horz Sync
15	GND	C5	Analog Ground