

HDR-8x8-Plus

4K 8x8 HDMI Matrix



Switch eight sources between eight displays
in stunning 4K resolution video!

FEATURES

- 4K Input/Output (3840x2160 @30Hz)
- 8x8 Non-Blocking, HDMI Matrix Switch
- Distribute any eight inputs to any eight HDMI output displays
- EDID Learning Mode
- Supports RS-232 Control
- HDCP and HDMI 1.4 Compliant
- SmartAVI PC Software
- Integrated TCP/IP Controller

APPLICATIONS

- Wall Displays
- Digital Media
- Airports
- Dealer Rooms
- Control Rooms
- Audio/Visual Presentations
- Shopping Centers
- Security

4K/2K

MEMBER OF
((HDCP))
GROUP

HD
ready
1080p

Smart-AVI
SMART AUDIO VIDEO INNOVATION

OVERVIEW

With the HDR-8x8-Plus, users can independently route eight video inputs to eight displays using the latest in 4K (3840x2160 @30Hz) HDMI video technology. The HDR-8x8-Plus has eight outputs that offer the flexibility to distribute HD audio and video signals across multiple displays, eliminating the tedium of disconnecting and reconnecting HDMI to a single display. Controlling the matrix switch is simple with the front-panel buttons and RS-232 commands. Even use the TCP/IP controls to manage the unit from a web browser. The perfect multi-switch solution for your home theatre system, the HDR-8x8-Plus is compatible with computers, live HD TV feeds, Blu-ray players, gaming consoles, video cameras and more.

LAN (TCP-IP) CONTROL

To enable TCP-IP control, connect an ethernet cable to the HDR-8X8 Plus ethernet port. Refer to page 5 for port information. By default, the HDR-8X8 Plus will connect to the network using DHCP. Download Matrix Mate-Network Assistant software and execute to locate your IP address. Click the Search button. After a few seconds your IP address should appear.

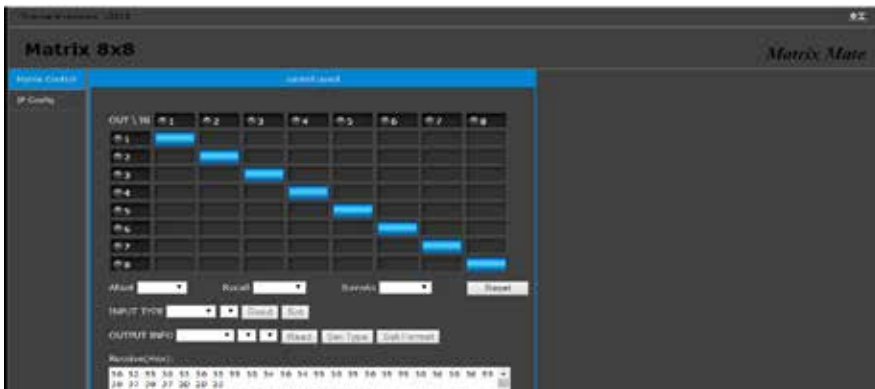


Enter the IP address in a browser of your choice and the Web Control login screen should appear as shown in figure 5-1.



Figure 5-1: SmartAVI HDR-8X8 Plus Login Webpage

The default Username and Password is admin. After logging in successfully, you will be brought to the control screen shown in Figure 5-2.

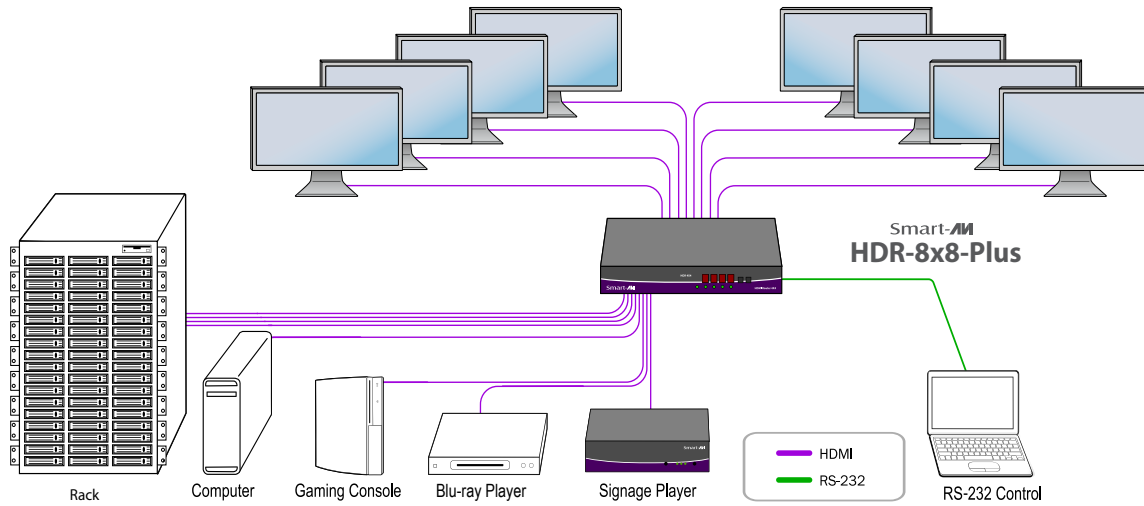


Control Webpage

To switch an input for an output, select the desired input to the left of the desired output.

Figure 5-2: Control Webpage

APPLICATION DIAGRAM



SPECIFICATIONS



HDR-8x8-Plus Front



HDR-8x8-Plus Rear

VIDEO

Format	HDMI 1.4
DVI Compliance	Single-link DVI-D 1.1 with Adapter
HDCP Compliance	1.0/1.1
Video Bandwidth	Single-link 340MHz [10.2Gbps]
Resolution	Up to 4K (3840x2160 @ 30Hz)
Input Interface	(8) HDMI [7.1ch audio & video]
Output Interface	(8) HDMI [7.1ch audio & video]
Maximum Cable Length	20 ft.

OTHER

Power Supply	External 100-240 VAC/12VDC3A
Max Consumption	20W
Dimensions	17.25W x 2.0H x 9.0D
Weight	5.6 lbs
Approvals	UL, CE, ROHS Compliant
Operating Temp.	0 to +35°C (32 to +95°F)
Storage Temp.	-4-185 °F (-20-85 °C)
Humidity	Up to 95%

CONTROL

Front Panel	Tact Switch
PC	RS-232 Control
TCP/IP Control	via Web Browser

ORDERING INFORMATION

Part No.	Description
HDR-8X8-Plus-S	4K Resolution 8x8 HDMI Router, Includes: [HDR-8x8-Plus, RMHDR8X8, & (12VDC3A & CCPWR06)

www.smartavi.com
 Tel: 800.AVI.2131 • 818.503.6200 •
 2455 W. Cheyenne Ave. Ste. #112
 North Las Vegas, NV 89032

Smart-AVI
 SMART AUDIO VIDEO INNOVATION