

HDX-LX

4K HDMI & IR Extender over Cat5e/6

Touchboards
205 Westwood Ave, Long Branch, NJ 07740
Phone: 866-94 BOARDS (26273) / (732)-222-1511
Fax: (732)-222-7088 | E-mail: sales@touchboards.com



Watch and control HDTV 4K video up to 250ft from the source via Cat5e/6 using HDBaseT technology

FEATURES

- Extends HDMI Output over one Cat5e/6 Cable
- Extends IR Control Signals for Remote Control
- Uses HDBaseT Technology
- Delivers Uncompressed HD Video up to 1080p/60Hz and 4K/30Hz 3D
- Data Signals up to 3.4Gbps
- HDMI 1.3 and HDCP Compliance
- Uses Bi-Directional IR Communication
- Transmits High-Quality Dolby TrueHD, DTS-HD MA Audio Signals
- Transmits 4K Resolution Video up to 250 ft

APPLICATIONS

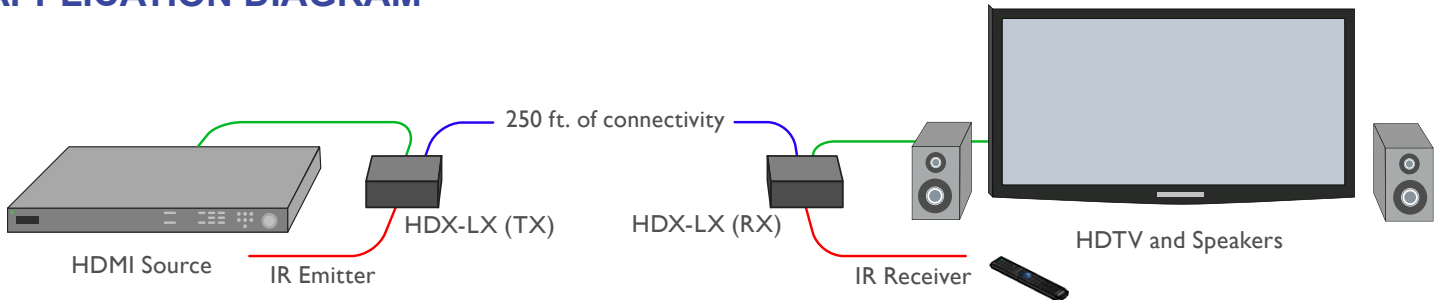
- Home Theater
- Corporate/Educational Presentations
- Call Centers
- Industrial (Long-Range Workstation Isolation)
- Information Terminals/Kiosks
- Airport Installations (Air Traffic Control/Passenger Information)
- Educational Environments with Remote Displays



OVERVIEW

The HDX-LX uses a single Cat5e/6 cable to extend HDMI signals – including high-definition TV – up to 250ft (75m) from the source by using HDBaseT technology. It is capable of transmitting high-resolution HD video up to 4K. Controlling a video source is easy with the device's bi-directional IR extension. Whether it's for a home entertainment system or a commercial installation, the HDX-LX delivers flexibility and control with high-quality video and audio.

APPLICATION DIAGRAM



HDX-LX (TX/RX) Front



HDX-LX (TX/RX) Rear

VIDEO	
Resolution	800X600, 1024X768 , 1280X1024, 1366X768, 1920X1200, 480i, 720p, 1080i, 1080p, 4K and 3D
Color Depth	Deep Color 36/30/24 Bit at 1080p and 3D
Audio Format	Up to PCM 8 channel, Dolby Digital TrueHD, and DTS-HD Master Audio
IR Range	38kHz, 56kHz
Video Bandwidth	10.2Gbps
Input Video Signal	1.2 Volts P-P
Input DDC Signal	5 Volts(TTL)
I/O CONNECTOR (Transmitter)	
Input	1x HDMI-A 19PIN Socket 1x 2.5mm DC Jack 1x 3.5mm Jack for IR Receiver
Output	1x RJ45 Jack 1x 3.5mm Jack for IR Emitter

I/O CONNECTOR (Receiver)	
Input	1x RJ45 Jack 1x 3.5mm Jack for IR Receiver 1x 2.5mm DC Jack
Output	1x 3.5mm Jack for IR Emitter 1x HDMI-A 19PIN Socket
MECHANICAL - Transmitter/Receiver	
Dimensions (H-W-D)	0.9" x 2.9" x 3.7"
Weight	0.26 lbs
Power	External 5VDC 2A
ENVIRONMENTAL	
Operating Temperature	+0 to +40° C (+32° to 104° F)
Operating Humidity	10% to 85% (Non-condensing)
Storage Temperature	-20° to +60°C (-4° to +140° F)
SAFETY	
Certificate	FCC, CE, RoHS
Power Adapter	UL, CE, FCC, RoHS

ORDERING INFORMATION

Part No.	Description
HDX-LXS	HDBaseT HDMI & IR Extender over a Single Cat5e/6 Cable Includes: [HDX-LXS-TX, HDX-LXS-RX and 2x(PS5VD2A and Wall Mount)]



Designed and Manufactured in the USA

www.smartavi.com

Tel: 800.AVI.2131 • 818.503.6200 • 11651

Vanowen St. North Hollywood, CA. 91605

Smart-AVI
SMART AUDIO VIDEO INNOVATION