

# HDX-POE

HDMI, IR and Power Extender Over Single CAT5e/6 Cable



Watch and control HDTV 1080p video up to 250ft from the source via Cat5e/6 using HDBaseT and POE technology

## FEATURES

- Supports POE: Can be powered by TX or RX
- Extends HDMI,IR and Power Output over one Cat5e/6 Cable
- Extends IR Control Signals for Remote Control
- Uses HDBaseT Technology
- Full HD support: 1080p@60Hz@48 bit/pixels, 1080p@120Hz@24 bit/pixels, 3D 1080P60Hz and 4K x 2K@30Hz@24bit
- Data Signals up to 3.4Gbps
- HDMI 1.4 and HDCP Compliance
- Uses Bi-Directional IR Communication
- Transmits High-Quality Dolby TrueHD, DTS-HD MA Audio Signals
- Transmits 1080p Resolution Video up to 250 ft

## APPLICATIONS

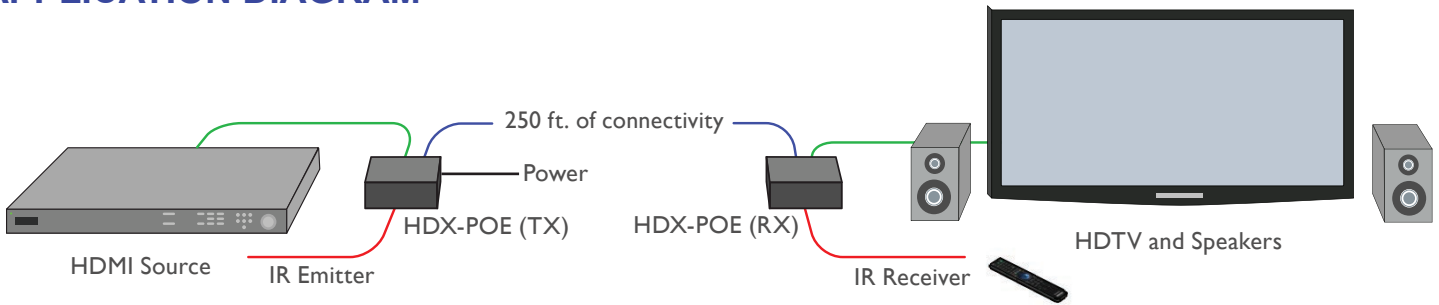
- Home Theater
- Corporate/Educational Presentations
- Call Centers
- Industrial (Long-Range Workstation Isolation)
- Information Terminals/Kiosks
- Airport Installations (Air Traffic Control/Passenger Information)
- Educational Environments with Remote Displays



## OVERVIEW

Are you extending your HD signal reach and finding that the best potential new locations don't have the proper power available? You may not have to scale down your plans if you consider using an HDX-POE system from SmartAVI. HDX-POE injects power into HDBaseT cat5/cat6 cable that transports both HDMI and IR and picks it off at the load.

## APPLICATION DIAGRAM



HDX-POE-RX



HDX-POE-TX

VIDEO	
Resolution	800X600, 1024X768, 1280X1024, 1366X768, 1920X1200, 480i, 720p, 1080i, 1080p and 3D
Transmission distance:	70 meters
Color Depth	Deep Color 36/30/24 Bit at 1080p and 3D
Audio Format	Up to PCM 8 channel, Dolby Digital TrueHD, and DTS-HD Master Audio
IR Range	38kHz, 56kHz
Video Bandwidth	10.2Gbps
Input Video Signal	1.2 Volts P-P
Input DDC Signal	5 Volts(TTL)
I/O CONNECTOR (Transmitter)	
Input	1 x HDMI-A 19PIN Socket 5 x 2.5mm 1 x 3.5mm Jack for IR Receiver
Output	1 x RJ45 Jack 1 x 3.5mm Jack for IR Emitter

I/O CONNECTOR (Receiver)	
Input	1 x RJ45 Jack 1 x 3.5mm Jack for IR Receiver 5 x 2.5mm
Output	1 x 3.5mm Jack for IR Emitter 1 x HDMI-A 19PIN Socket
MECHANICAL - Transmitter/Receiver	
Dimensions (H-W-D)	0.9" x 2.9" x 3.7"
Weight	0.26 lbs
Power	External 12V2.5A
ENVIRONMENTAL	
Operating Temperature	+0 to +40° C (+32° to 104° F)
Operating Humidity	10% to 85% (Non-condensing)
Storage Temperature	-20° to +60° C (-4° to +140° F)
SAFETY	
Certificate	FCC, CE, RoHS
Power Adapter	UL, CE, FCC, RoHS

## ORDERING INFORMATION

Part No.	Description
HDX-POES	HDBaseT HDMI & IR Extender over a Single Cat5e/6 Cable Includes: [HDX-POE-TX, HDX-POE-RX and (PS12V2.5A and Wall Mount)]



Designed and Manufactured in the USA

[www.smartavi.com](http://www.smartavi.com)

Tel: 800.AVI.2131 - 818.503.6200 - 11651

Vanowen St. North Hollywood, CA. 91605

**Smart-AVI**  
SMART AUDIO VIDEO INNOVATION