

TECHNICAL SPECIFICATIONS

VIDEO	
Resolution	Full HD (1920x1080 @ 60 Hz)
Color Depth	Deep Color 36/30/24 Bit at 1080p and 3D
Video Bandwidth	4.95 Gbps
Input Video Signal	1.2 Volts P-P
Input DDC Signal	5 Volts (TTL)

AUDIO	
Format	Up to PCM 8 channel, Dolby Digital TrueHD, and DTS-HD Master Audio
Input Interface	HDMI (Integrated)
Output Interface	HDMI (Integrated)

IR	
Signal Type	38kHz
Interface	3.5 mm Jack Socket (Female)

I/O CONNECTOR (Transmitter)	
Input	<ul style="list-style-type: none"> HDMI-A 19PIN Socket 12VDC Jack Internal 12VDC Input 3.5mm Jack for IR Receiver
Output	<ul style="list-style-type: none"> RJ45 Jack 3.5mm Jack for IR Emitter

I/O CONNECTOR (Receiver)	
Input	<ul style="list-style-type: none"> RJ45 Jack 3.5mm Jack for IR Receiver 12VDC Jack Internal 12VDC Input
Output	<ul style="list-style-type: none"> 3.5mm Jack for IR Emitter HDMI-A 19PIN Socket

SYSTEM	
Interface	RJ-45
Cable Requirements	CAT5/5e/6
Maximum Length	150 ft.

OTHER	
Max Power	12VDC2A @24W
Approvals	UL, CE, ROHS Compliant
Operating Temp.	32-131 °F (0-55 °C)
Storage Temp.	-4-185 °F (-20-85 °C)
Humidity	Up to 95%



Designed and Manufactured in the USA

800.AVI.2131

Tel: (818) 503-6200 Fax: (818) 503-6208
11651 Vanowen St. North Hollywood, CA 91605

SmartAVI.com

Smart-AVI
SMART AUDIO VIDEO INNOVATION

HDX-W100



Wall Plate HDMI Extender over Single

Extend HDMI signals up to 150 feet using slim, space-saving wall plates

USER MANUAL

INTRODUCTION

The HDX-W100 is an HDMI over Cat5e/6 extender that utilizes slim wall plates to keep the wires as concealed as possible while providing 150ft high-quality HD video extension. The device supports high-resolution video up to 1080p (@60Hz). The unit makes controlling the attached video source easy with its bi-directional IR communication, so users can adjust the source while at the screen's location, hundreds of feet away. For corporate, academic, industrial and home applications, the HDX-W100 provides a fully-integrated solution for HDMI extension. Both the transmitter and receiver can be powered through a single 12V power adapter connected to the transmitter.

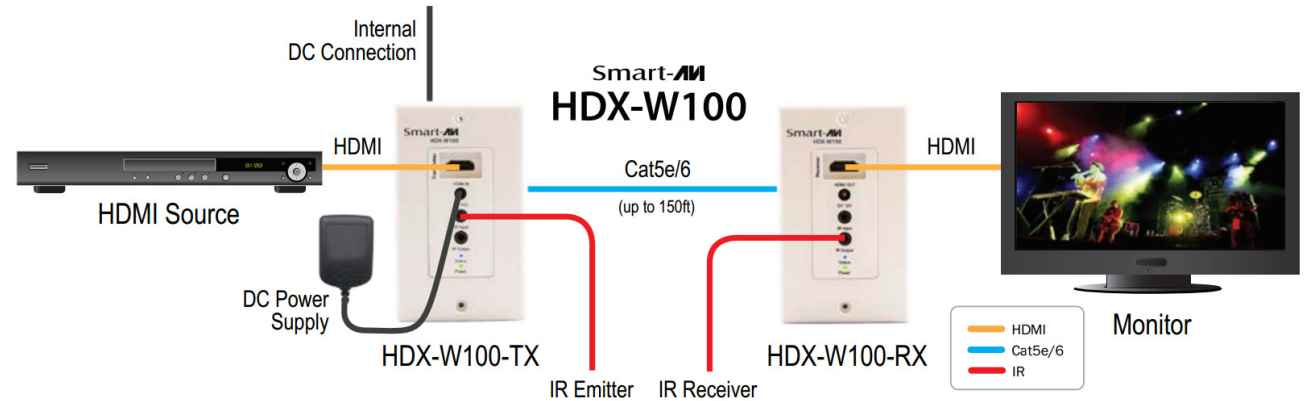
FEATURES

- Extends HDMI Output over a Single Cat5e/6 Cable
- Extends IR Control Signals for Remote Control
- Supports uncompressed HD video up to 1080p (@60Hz)
- HDMI 1.3 and HDCP Compliant
- Supports Bi-Directional IR Communication
- Transmits high-quality Dolby TrueHD and DTS-HD Audio Signals
- Supports Automatic EDID Callback
- Compatible with DVI-D with Converter
- Cascadable for Additional Extensions
- VESA DDC and Hot Swap Technology (HPD)
- Receiver Features POE

WHAT'S IN THE BOX?

PART NO.	DESCRIPTION
HDX-W100S	HDMI + IR Over a Single Cat5e/6 Wall Plate Extender. Includes: [HDX-W100TX, HDX-W100RX, PS12V2A]

APPLICATION DIAGRAM



CONNECTING THE HDX-LX

1. Power off the HDMI source and display.
2. Connect an HDMI cable from the HDMI source to the HDMI IN port of the HDX-W100 transmitter.
3. Connect an IR emitter (optional) to the IR OUT port on the transmitter.
4. Connect the HDX-W100 transmitter to the HDX-W100 receiver using a CAT5e/6 cable (up to 150ft).
5. Connect an IR receiver (optional) to the IR IN port on the receiver.
6. Connect an HDMI cable from the HDMI OUT port on the HDX-W100 receiver to the HDMI Display.
7. Connect the power on the HDX-W100 transmitter plugging in their power adapters (12VDC2A) or provide 12VDC input from the rear DC input port.
NOTE: If the RX side has connected DC adapter, TX can get the DC power over the CAT5e/CAT6 cable, so leave DC input port empty. Only 1 power supply is required for both units.
8. Power on the HDMI source, displays and speakers. The RX will read the EDID from the monitor, and then pass the data into the TX automatically.