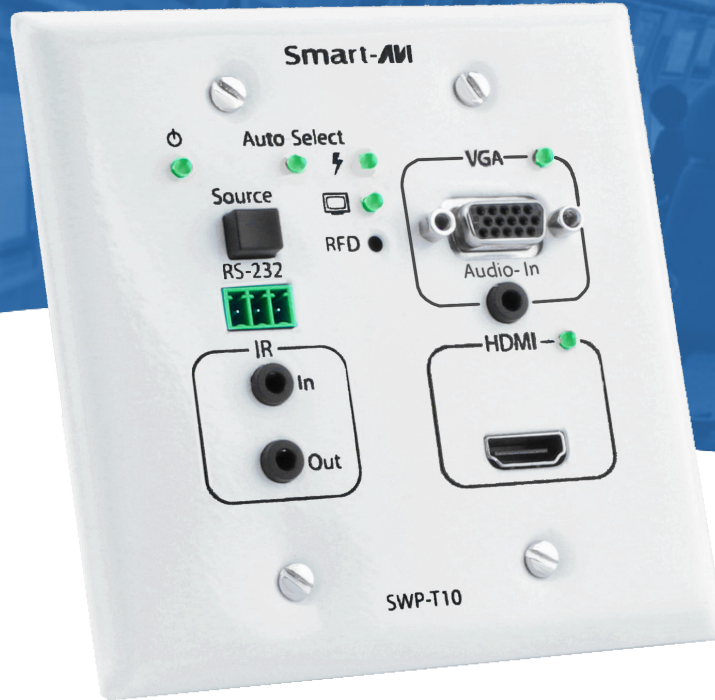


SWP-T10

All-in-One 1080p Smart Wall Plate Extender



HDMI, VGA, stereo audio, IR, and optional RS-232 Support with integrated scaler and PoE HDBaseT

FEATURES

- Supports POE: Can be powered by SWP-T10-TX or POE-ready HDX RX Receivers
- HDMI 1.4 and DVI compliant (with adaptor)
- Automatic, integrated resolution scaler up to 1080p (1920 x 1080 @ 60Hz)
- Extends CAT5e/6 signals up to 70m
- CEC pass-through
- LED status indicators
- Automatic & manual input recognition and selection
- Extends IR remote control
- **Optional RS-232 support**

APPLICATIONS

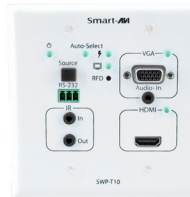
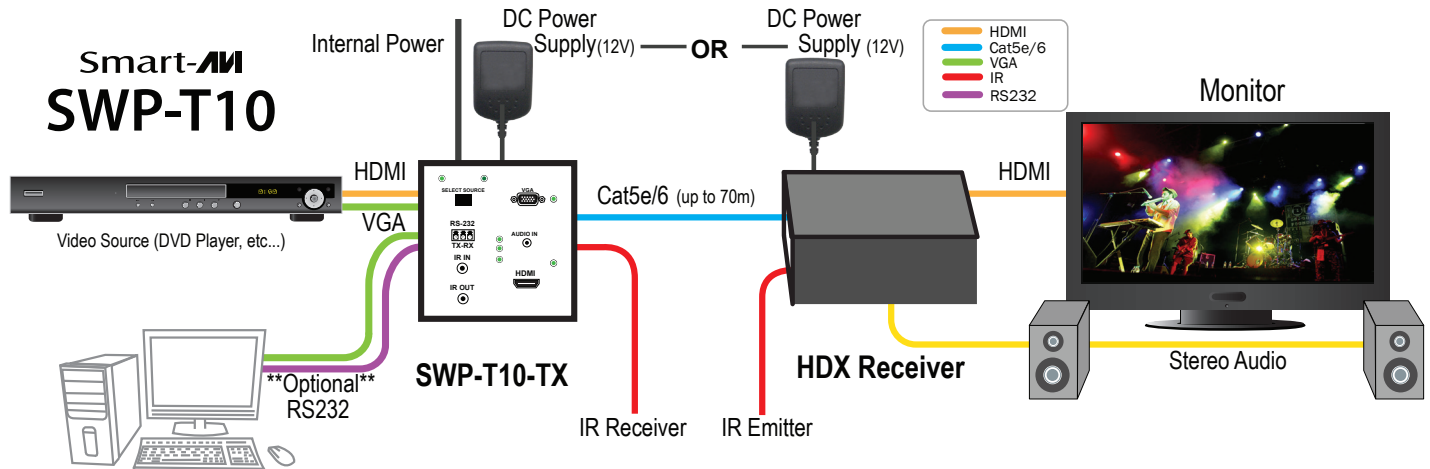
- Presentations
- Conferences
- Surveillance
- Remote monitoring
- Healthcare
- Education
- Video correspondence
- Hotels
- Restaurants and digital menus
- Home entertainment

WHY SWITCH TO THE SMART WALL PLATE

The Smart Wall Plate T10, or SWP-T10, is SmartAVI's most comprehensive all-in-one wall plate extender in our catalogue to date. The SWP-T10 features HDMI, VGA, stereo audio, and IR extension with CAT5e/6 HDBaseT enhancements at lengths up to 70 meters (230 ft).

The T10's automatic scaler bumps picture resolution up to 1080p (1920 x 1080 @ 60Hz), and seamless automatic input recognition optimizes signals. Conveniently powered by either the transmitting or receiving unit, the SWP-T10 blends SmartAVI's signature ease-of-use with quality, highly-adaptable configurations right for any set-up. Keep your environment connected and smart with the Smart Wall Plate T10!

APPLICATION DIAGRAM



SWP-T10 Front



SWP-T10 Back

SPECIFICATIONS

| INPUT/OUTPUT | | IR | |
|------------------|---|-----------------|-----------------------------|
| Compliance | HDMI 1.4 and HDCP 1.2 | Signal Type | 38 KHz |
| HDTV Resolutions | Up to 1080p (1920 x 1080 @ 60Hz) | Interface | 3.5 mm Jack Socket (Female) |
| Max Data Rate | 6.75 Gbps | OTHER | |
| Input Interface | (1) HDMI Type-A; (1) VGA; (1) Stereo Audio; (1) IR IN | Power | PS12V-2A |
| Output Interface | (1) RJ45 (HDBaseT); (1) IR OUT | Dimensions | 4.6"W x 4.6"H x 1.45"D |
| CONTROL | | Weight | 0.75 lbs. |
| IR | Infrared Remote Control (In/Out) | Approvals | UL, CE, ROHS Compliant |
| Front Panel | SELECT SOURCE button (select/switch) | Operating Temp. | 32-104°F (0-40 °C) |
| *RS-232 | *Optional RS-232 port remote control with PC | Humidity | Up to 90% |

ORDERING INFORMATION

| Part No. | Description |
|-----------|---|
| SWP-T10-S | HDMI, VGA, Stereo Audio, IR POE Extender. Includes:[SWP-T10-TX, PS12V-2A] |



Designed and Manufactured in the USA

www.smartavi.com

Tel: 800.AVI.2131 • 818.503.6200 • 11651
Vanowen St. North Hollywood, CA. 91605

Smart-AVI
SMART AUDIO VIDEO INNOVATION