

Extend SXGA, Audio, RS-232 and IR 1,000 ft over CAT5



XTPRO

Enhanced media distribution and extension via CAT5

Use a single CAT5 cable to broadcast high resolution SXGA, Stereo Audio, RS-232 and IR up to 1,000 ft away.

OVERVIEW

XTPRO is a high resolution UXGA and stereo audio extender system (transmitter and receiver) designed to broadcast desktop video, stereo audio signals, IR and RS-232 over unshielded twisted pair (UTP) cabling. With RS-232 communication support the XTPRO allows users to send commands to single or multiple devices. This allows the user to change the volume, change the channel or turn on/off the display panel remotely.

FEATURES

- Supports dual screens
- Uses easy to install, inexpensive CAT-5/5e/6/7/8
- Each output reaches up to 1,000 feet (300 m)
- Supports high resolution video up to 1900x1200
- HDTV compatible (720p, 1080i, 1080p)
- 300 MHz bandwidth
- Sends high-resolution VGA, stereo audio signals, RS-232 or IR from one source to 2 locations
- Compatible with VGA, XGA, Sun, MAC and SGI
- Sync Format / Polarity Preservation
- Compatible with line level stereo audio signals
- High ground loop immunity
- Built-in power surge and transient protection
- Designated trimmer in the remote unit to compensate for cable length
- Compact metal case enclosure
- External power supply
- RS-232 communication support to single or multiple displays
- IR command to single or multiple displays

APPLICATIONS

Presentations

Enhances any presentation from commercial products to corporate financial data. It can be used in show rooms, board rooms, trade shows and window displays.

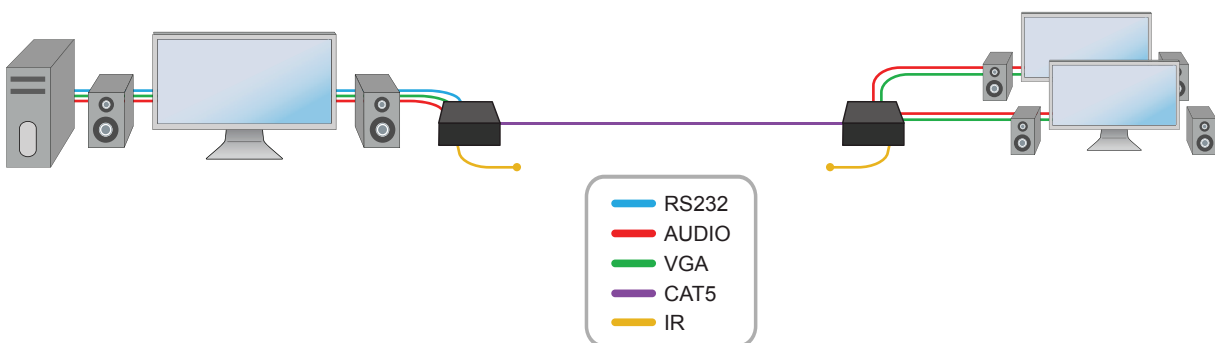
Data Broadcasting

Data such as news, stock prices, sports results, and flight information can be broadcast in real time to various monitors.

Learning and Training

Can be used in educational presentations to multiple locations, in schools and in other training facilities.

APPLICATION DIAGRAM



SPECIFICATIONS

XTPRO TX Front



XTPRO TX Back



XTPRO RX Front



XTPRO RX Back



VIDEO DATA	
Bandwidth	400MHz
Analog signal Level	1 volt
Impedance	10K ohms
Connector	High density HD15
Format	RGBHV, RGsB, YUV, Y/C, CVBS
Sync	TTL horizontal SyncRange: 15 to 130 KHz Vertical Sync Range 30 to 120 Hz
Resolution	Up to 1900 x 1200 VGA, SVGA, XGA, SXGA
AUDIO	
Signal Type	Stereo Unbalanced
Bandwidth	20KHz
Signal level	0dB
Impedance	10K ohms
Connector	3.5mm jack socket

POWER	
RS232	19200 300bps TXD, RXD
Requirements	5VDC @.5A
Connector	2.1mm DC jack (center +ve)
PHYSICAL	
Dimensions	95 x 80 x 23mm
Weight	0.12 kg
IR	
Input Interface (TX)	(1) 3.5 mm (Female)
Output Interface (RX)	(1) 3.5 mm (Female)
IR Frequency Range	30KHz to 80KHz
Emitter Distance	Up to 10'
Connector	3.5mm Stereo jack for emitter and IR eye

Part No.	Description
XTPROS	UXGA/Audio/RS-232/IR Point-to-Point CAT5 Extender. Includes: [XTP-TX, XTP-RX, (CCVGAMM06), & 2 x (PS5VD2A)]
XTP-TXS	UXGA/Audio/RS-232/IR CAT5 Transmitter. Includes:[XTP-TX, (CCVGAMM06) & (PS5VD2A)]
XTP-RXS	UXGA/Audio/RS-232/IR CAT5 Receiver. Includes:[XTP-RX & (PS5VD2A)]

Many leading companies have recognized and embraced the innovation of SmartAVI's technologies and have successfully incorporated them into their organizations. Users of SmartAVI include:



 Designed and Manufactured in the USA

www.smartavi.com
 Tel: 800.AVI.2131 • 818.503.6200 • 11651
 Vanowen St. North Hollywood, CA. 91605

Smart-AVI
 SMART AUDIO VIDEO INNOVATION