

# UXGA Video, Stereo Audio, RS232 And IR Wall Plate CAT5 Extender



## XTWALL

### Enhanced media distribution and extension via CAT5

Broadcast high resolution video, stereo audio, RS232 and IR over CAT5 cabling up to 1,000 ft away.

### OVERVIEW

XTWALL is a high resolution UXGA and stereo audio extender system (transmitter and receiver) designed to broadcast desktop video, stereo audio signals, IR and RS232 over a single unshielded twisted pair (UTP) cable. Its unique wall mounted design integrates into any interior.

With RS232 communication support the XTWALL allows users to send commands to single or multiple devices. This allows the user to change the volume, channel or turn on/off the display panel remotely.

### FEATURES

- Sends high-resolution VGA, stereo audio , RS232 or IR
- Wall plate design for custom integrated look.
- Choose from a variety of colors and styles.
- Supports dual screens on receiver.
- Uses easy to install, inexpensive CAT-5/5e/6/7/8.
- Each output reaches up to 350 feet (300 m).
- Supports high resolution video up to 1920x1200
- HD compatible (720p, 1080i,1080p)
- 300 MHz bandwidth.
- Compatible with Line Level Stereo Audio Signals.
- High ground loop immunity.
- Designated trimmer in the remote unit to compensate for cable length.
- Compact metal case enclosure.
- External power supply.
- IR command to single or multiple displays.
- Compatible with VGA, XGA, Sun, MAC and SGI
- Sync Format / Polarity Preservation.

### APPLICATIONS

#### Presentations

XTWALL enhances any presentation from commercial products to corporate financial data. It can be used in show rooms, board rooms, trade shows and window displays.

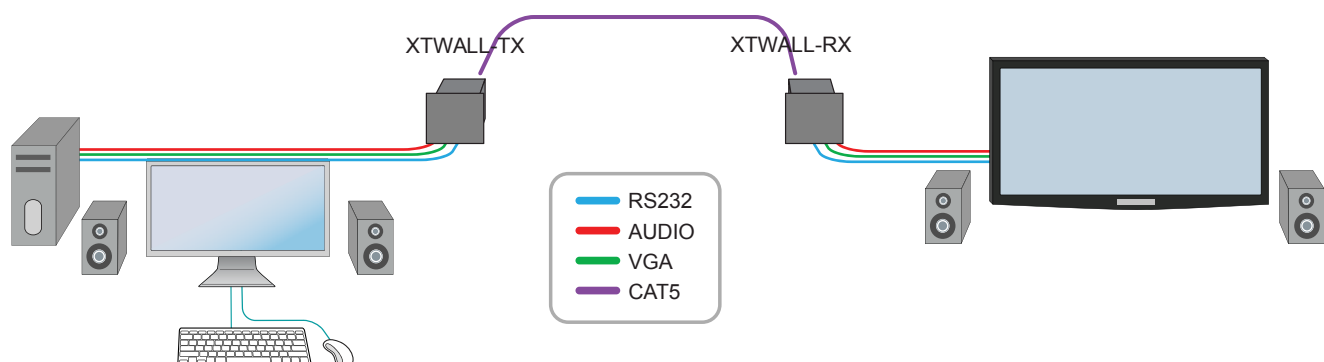
#### Data Broadcasting

Data such as news, stock prices, sports results, and flight information can be broadcast in real time to various monitors.

#### Learning and Training

XTWALL can be used in educational presentations to multiple locations, in schools and in other training facilities.

### APPLICATION DIAGRAM



## SPECIFICATIONS

VIDEO DATA	
Bandwidth	400MHz
Analog signal Level	1 volt
Impedance	75 ohms
Connector	High density HD15
Format	VGA/SVGA/XGA/UXGA/ RGBH/RGsB
Sync	TTL horizontal SyncRange: 15 to 130 KHz Vertical Sync Range 30 to 120 Hz
AUDIO	
Bandwidth	20 KHz
Signal level	OdB
Impedance	10K ohms
Connector	3.5mm jack socket

POWER	
Requirements	5V DC @500mA
Connector	5x2.1 DC Jack
SYSTEM CABLE	
Type	Cat5 UTP EIA 568A
Connector	RJ45
IR	
Input Interface (TX)	(1) 3.5 mm (Female)
Output Interface (RX)	(1) 3.5 mm (Female)
IR Frequency Range	30KHz to 80KHz
Emitter Distance	Up to 10'
Connector	3.5mm Stereo jack for emitter and IR eye

Part No.	Description
XTWALLS	UXGA/Audio/RS-232/IR Point-to-Point Wall Plate CAT5 Extender. Includes: [XTW-TX, XTW-RX, & 2 x (PS5VDC2A)]
XTW-TXS	Wall Plate UXGA/Audio/RS-232/IR CAT5 Transmitter. Includes:[ XTW-TX, & (PS5VDC2A)]
XTW-RXS	Wall Plate UXGA/Audio/RS-232/IR CAT5 Receiver. Includes:[ XTW-RX & (PS5VDC2A)]

Many leading companies have recognized and embraced the innovation of SmartAVI's technologies and have successfully incorporated them into their organizations. Users of SmartAVI include:



 Designed and Manufactured in the USA

**www.smartavi.com**  
Tel: 800.AVI.2131 • 818.503.6200 • 11651  
Vanowen St. North Hollywood, CA. 91605

**Smart-AVI**  
SMART AUDIO VIDEO INNOVATION