

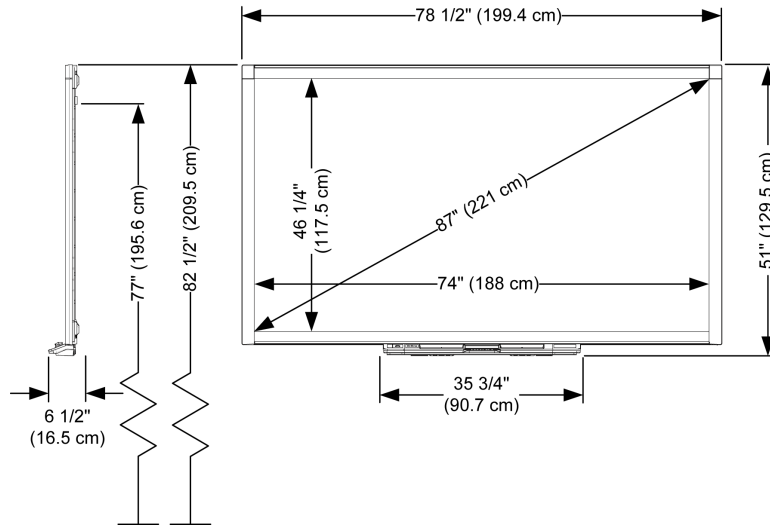
## Specifications

# SMART Board® interactive whiteboard

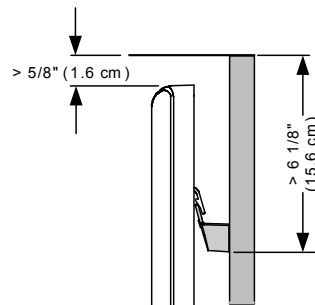
## Model X885

### Dimensions and weights<sup>1</sup>

#### Dimensions<sup>2</sup>



Leave at least 5/8" (1.6 cm) headroom to wall mount the SB885. The distance from the bottom of the wall mount bracket to the top of an installed interactive whiteboard is 6 1/8" (15.6 cm)



#### SMART Board 885 interactive whiteboard

##### Weight

55 lb. (25 kg)

##### Shipping dimensions

###### One unit on a pallet

4 1/2" W × 55 7/8" H × 88 1/2" D  
 (11.4 cm × 142 cm × 224.8 cm)

###### 10 units on a pallet

45 1/2" W × 93" H × 56 3/4" D  
 (115.6 cm × 236.2 cm × 144 cm)

##### Shipping weight

###### One unit on a pallet

68.3 lb. (31 kg)

###### 10 units on a pallet

683 lb. (310 kg)

#### Accessory Kit (includes pen tray)

##### Weight

12 lb. (5.5 kg)

##### Shipping dimensions

40 1/8" W × 7" H × 3 7/8" D  
 (102 cm × 17.7 cm × 9.8 cm)

<sup>1</sup>All dimensions ± 1/8" (0.3 cm). All weights ± 2 lb. (0.9 kg).

<sup>2</sup>The height of SMART Board 800 series interactive whiteboards manufactured before June 2015 is 53 3/8" (135.6 cm).

## Standard features

### Software

SBX885	SMART Notebook® collaborative learning software including SMART Product Drivers
--------	---

### Touch and gestures

Perform mouse functions with your finger, and write and erase digital ink with a pen tray pen or the eraser. The Object Awareness feature enables you to pick up a pen, and then write, select or erase without replacing the pen. This interactive whiteboard also features gesture capability, providing a natural and flexible way to interact with content.

### Multitouch capabilities

Users can interact with the interactive whiteboard using the included pens or other objects, or by using their fingers to write and perform gestures.

SBX885	Support for four simultaneous touches enables up to four users to interact with the interactive whiteboard.
--------	---

### SMART Ink™

Smooths out the appearance of the digital ink, improving the legibility of your handwriting. The ink becomes an object you can move and manipulate.

### Lockable pen option

Hold down a pen color button on the pen tray until its light flashes to lock the interactive whiteboard in pen mode. In this mode you can use any device as a pen. Early education students and students with special needs can use an object like a tennis ball to write more easily on the surface.

### Pen tray

Optical sensors in the pen tray detect when you lift a pen or eraser from the tray. Color buttons on the pen tray enable you to select pen color.

SBX885	Removable end caps for optional accessories
--------	---

### Pen and eraser

Two ergonomic pens with a comfort grip and a rectangular eraser

### Touch resolution

Approximately 4000 × 4000.

### Screen surface

The hard-coated steel surface is durable, optimized for projection, compatible with dry-erase markers and easily cleaned.

### Digitizing technology

Four-camera DViT® (Digital Vision Touch) technology

### Frame finish

Light gray (approximates PANTONE Cool Gray 6C)

### Wall-mount bracket

Two 32" (81.3 cm) wide brackets with 10 screws and toggle bolt anchors to support a wall-mounted interactive whiteboard

### Power connection

6' (1.8 m) power cable

### Power requirements

Power consumption is less than 7 W (100V to 240V AC, 50/60 Hz, 5V DC 2.0A)

## Computer requirements

### SBX885

A computer or laptop with either a Windows® operating system or Mac operating system software and SMART Notebook software installed. For a complete list of computer requirements, go to [smarttech.com/downloads](http://smarttech.com/downloads) and browse to the latest SMART Notebook release notes applicable to your operating system.

## Storage and operating specifications

<b>Storage temperature</b>	-40°F to 120°F (-40°C to 50°C)
<b>Operating temperature</b>	41°F to 95°F (5°C to 35°C) with up to 80% humidity, non-condensing

## Certification and compliance

**Regulatory certification** CE, CSA (U.S./Canada) and FCC

### Environmental compliance

China	EIP
European Union	REACH, RoHS, WEEE and Packaging
U.S.	Packaging

## Warranty

<b>Interactive whiteboard</b>	Your interactive whiteboard has a two-year limited equipment warranty or a five-year limited equipment warranty upon registration. See warranty documents for details.
<b>Accessories</b>	Your accessories have a one-year warranty.

## Purchasing information

### NOTE

A digital projector isn't included with this model of SMART Board interactive whiteboard. To take advantage of all interactive features, you must integrate a digital projector.

### Order numbers

SBX885	87" (221 cm) diagonal SMART Board interactive whiteboard. Includes a SMART Notebook software installation DVD.
--------	--

**Optional accessories** See [smarttech.com/accessories](http://smarttech.com/accessories)

**Warranty** Two-year limited equipment warranty

[smarttech.com/support](http://smarttech.com/support)

[smarttech.com/contactsupport](http://smarttech.com/contactsupport)

© 2010–2015 SMART Technologies ULC. All rights reserved. SMART Board, smarttech, the SMART logo and all SMART taglines are trademarks or registered trademarks of SMART Technologies ULC in the U.S. and/or other countries. All third-party product and company names may be trademarks of their respective owners. This product and/or use thereof covered by one or more of the following U.S. patents. [www.smarttech.com/patents](http://www.smarttech.com/patents). Contents are subject to change without notice. 05/2015.