

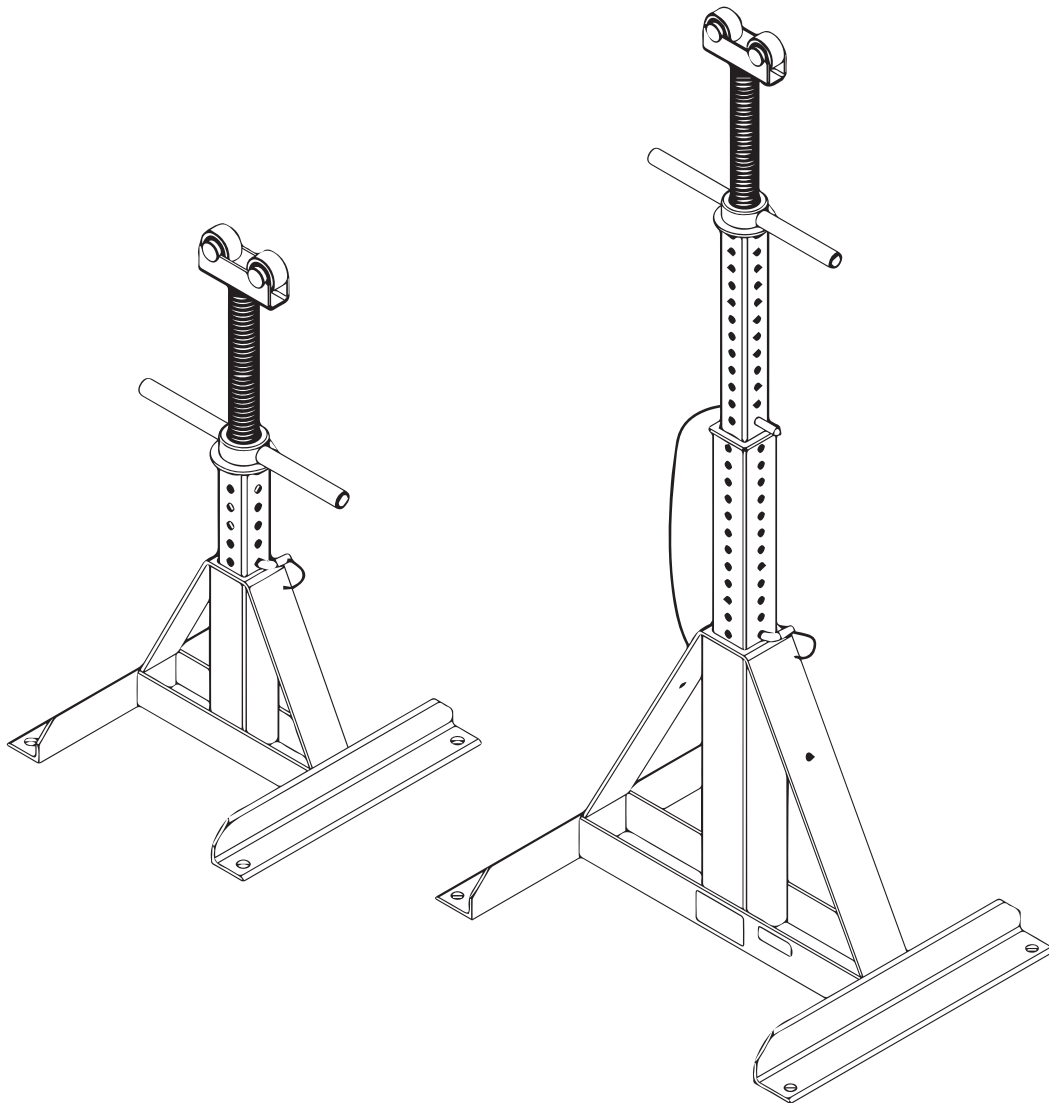


Southwire™

TOOLS & EQUIPMENT

Operating Instructions

***Screw Jax Reel Stands
Model CJ-01 and CJ-02***



***Read and understand all of the instructions and safety information
in this manual before operating or servicing this tool.***

FAILURE TO OBSERVE THESE WARNINGS CAN RESULT IN SEVERE INJURY OR DEATH.



BEFORE OPERATING, READ AND UNDERSTAND ALL OF THE INSTRUCTIONS AND SAFETY INFORMATION IN THIS MANUAL




TABLE OF CONTENTS

Important Safety Information.....	1 - 3
Description of Operation.....	4
Operating Instructions.....	4 - 6
Maintenance.....	6
Specifications.....	7
Warranty.....	7 - 8

SAFETY FIRST

Safety is essential in the use and maintenance of Southwire Contractor Equipment. This instruction manual and any markings on the tool provide information for avoiding hazards and unsafe practices related to the use of this tool. Observe all of the safety information provided.

SAFETY ALERT SYMBOLS



SAFETY ALERT SYMBOLS

These symbols are used to call attention to related hazards or unsafe practices related that could result in injury or property damage. The three safety words defined below indicate the severity of the hazard. The message after the signal word provides information for preventing or avoiding the hazard.

⚠ DANGER



Immediate hazards which, if not avoided, **WILL** result in severe injury or death.


⚠ WARNING

Hazards which, if not avoided, **COULD** result in severe injury or death.

⚠ CAUTION

Hazards or unsafe practices which, if not avoided, **MAY** result in injury or property damage.

 	<p>⚠ WARNING</p> <p>Read and understand all of the instructions and safety information in this manual before operating or servicing this tool.</p> <p>Failure to observe this warning could result in severe injury or death.</p>
--	--

<p>⚠ WARNING</p> <p>Personal safety hazards</p>	
<ul style="list-style-type: none"> Only qualified persons should use the Southwire Screw Jax Reel Stands Wear eye protection, gloves and a hard hat when using this tool Do not use tool while tired or under the influence of drugs, alcohol, or medication Keep body parts and loose clothing away from moving parts Never exceed 2500 lbs (1136kg) per individual Screw Jax Always follow appropriate safety procedures 	

FAILURE TO OBSERVE THESE WARNINGS CAN RESULT IN SEVERE INJURY OR DEATH

⚠️ WARNING: Electrical Shock Hazards

- This is not an insulated tool, contact with live circuits could result in severe injury or death.

⚠️ CAUTION: Do not add extensions (cheaters) to the handle. Using excessive force may result in injury or damage to the tool. If excessive force is required, check and verify proper set up instructions.

⚠️ CAUTION: Read and understand all of the instructions and safety information in this manual before operating or servicing this tool.

Failure to observe this precaution may result in injury or property damage.

⚠️ CAUTION: Keep hands and feet clear when loading and unloading cable reels.

- Cable reels must be chocked at all contact points with the ground to prevent movement during setup.

FAILURE TO OBSERVE THESE WARNINGS CAN RESULT IN SEVERE INJURY OR DEATH

IMPORTANT SAFETY INFORMATION

⚠ CAUTION: Make sure bystanders are clear of the work area when loading, unloading or dispensing cable. Nearby personnel can be injured if a cable reel falls off stands.

- Do not use the reel roller for cable with damaged reels. Damaged reels may not roll freely and may be pulled off the reel roller.
- Cable reels must be chocked at all contact points with the ground to prevent movement during setup.
- The proper Southwire Axle (PJA-01/PJA-02) is required for safe operation of this tool. Do not use anything else— substitutes may not support the cable reel or may fall off the reel stand.
- Never attach casters or wheels to a Southwire Screw Jax reel stand.
- Use only on a hard, flat, level surface.
- Do not exceed the rated capacity of this tool.

FAILURE TO OBSERVE THESE WARNINGS CAN RESULT IN SEVERE INJURY OR DEATH

⚠ CAUTION: Use this tool for manufacturer's intended use only. Use other than that which is described in this manual may result in injury or property damage.

NOTE: Keep all decals clean and legible, and replace when necessary.

PURPOSE OF THIS MANUAL

This manual is intended to familiarize all product users with the safe operation and maintenance procedures for the following Southwire Tools and Equipment: Screw Jax Reel Stands

Keep this manual available to all personnel.

Replacement manuals are available upon request at no charge at www.southwiretools.com.

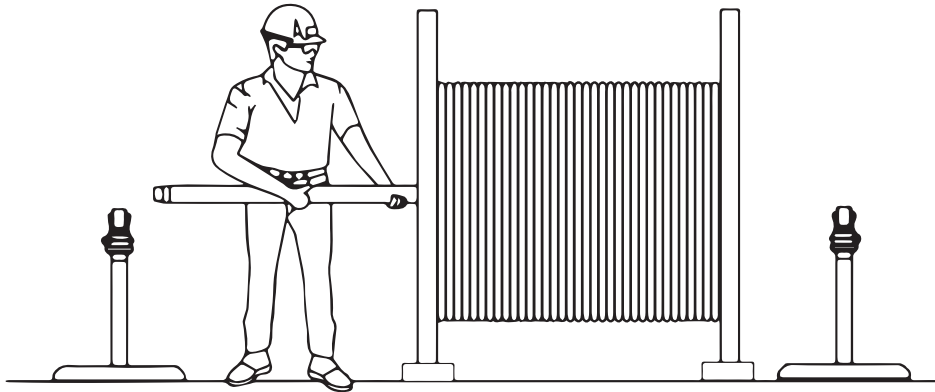
DESCRIPTION OF OPERATION

The Southwire™ Screw Jax Reel Stands are designed to support reels from 13” to 28” and 22” to 54” respectively. Each Screw Jax Reel Stand has an individual weight capacity of 2500 lbs (1136kg). Each alike set of Screw Jax Reel Stands have a combined rating of 5000 lbs (2273kg).

OPERATION

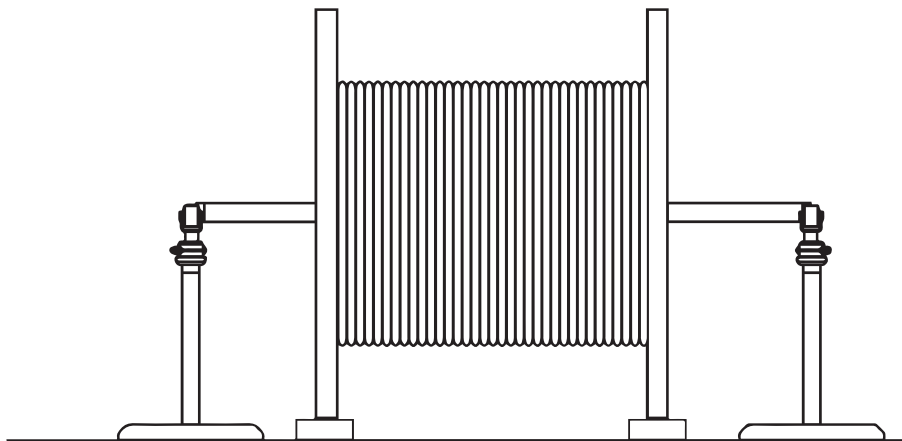
1. Two alike Screw Jax reel stands and one Southwire Axle are required for a complete setup. (The CJ-01 and CJ-02 Screw Jax Reel Stands must be used with only the PJA-01 or PJA-02 Southwire Axles).
2. Make sure the cable reel is chocked to prevent movement during setup.
3. Position the axle through the center holes of the cable reel. (Fig. 1)

Fig. 1



4. Position reel stands under each end of the axle so the reel stand rollers are aligned within and in contact with the axle grooves. (Fig. 2)

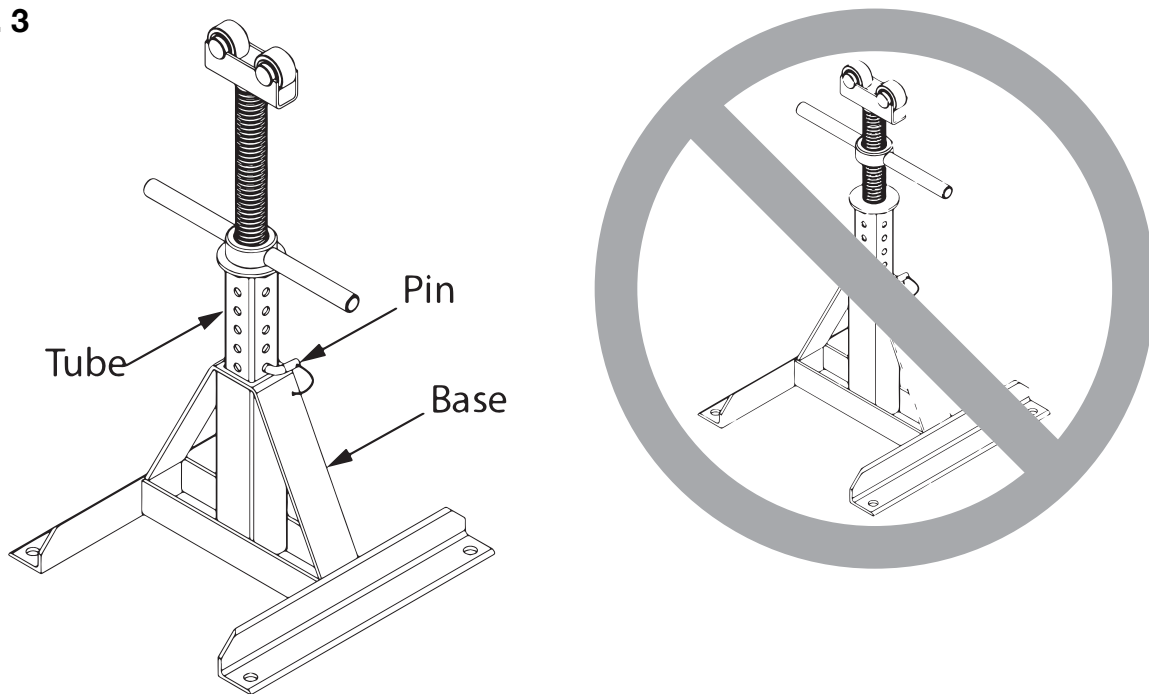
Fig. 2



OPERATION cont.

NOTE: The Southwire Screw Jax reel stands may require use of the quick extend feature. Manually lift the tele-scoping square tubing to desired height and use the pin provided by inserting through both sides of the square tubing. Ensure this step is done prior to placing a reel on the Screw Jax Reel Stands. The pin must rest on top of the base to prevent downward movement. (Fig. 3)

Fig. 3



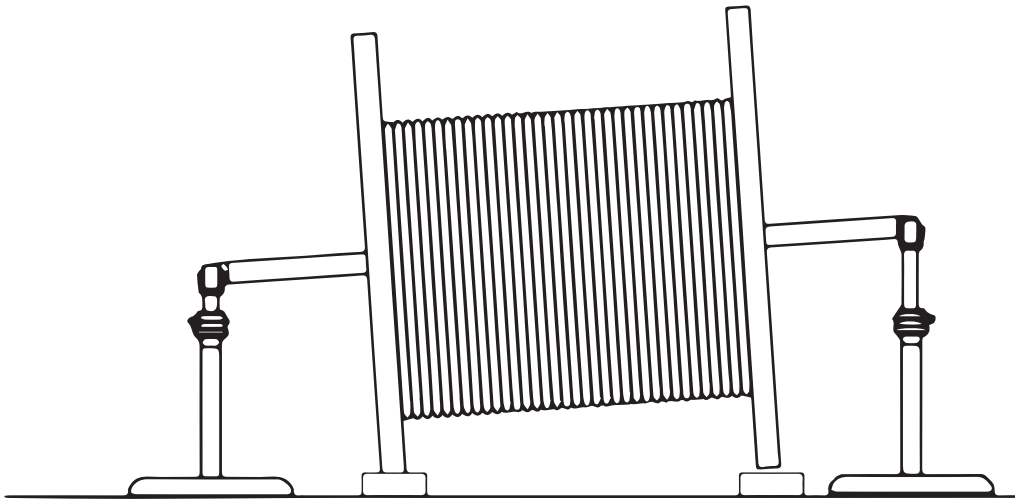
⚠ CAUTION: Never support a load with handle positioned as shown above in the right hand image. Handle must always contact washer as shown in Figure 3's left hand image.

Failure to observe this precaution may result in injury or property damage

OPERATION cont.

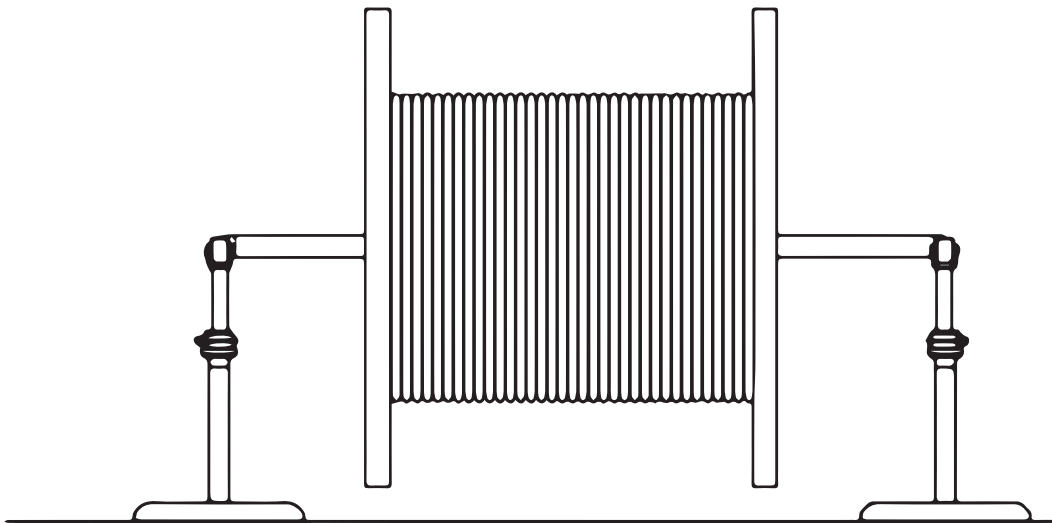
5. Turn the reel stand handle clockwise to extend one reel stand until the cable reel clears the ground. (Fig. 4)

Fig. 4



6. Turn the other reel stand handle until the spindle is level and the cable reel rotates freely. (Fig. 5)

Fig. 5



7. When finished dispensing cable, the cable reel should be lowered in the reverse manner as described above.

MAINTENANCE

1. Keep tool clean and dry
2. Apply a thin coat of grease to the threaded shaft and a moderate amount of grease between the thrust washer and underside of the handle. For best results, apply grease before each use.

SPECIFICATIONS

MODEL# CJ-01

- Stock # 59892901
- Depth –21”
- Width – 24”
- Height – 54” Max Height
- Weight – 42 lbs
- Capacity – 2500 lbs (1136kg)

MODEL# CJ-02

- Stock # 59893001
- Depth –15”
- Width – 15”
- Height – 28” Max Height
- Weight – 22 lbs
- Capacity – 2500 lbs (1136kg)

WARRANTY ON SOUTHWIRE CONTRACTOR EQUIPMENT

What Does This Warranty Cover?

Five-Year Limited Warranty on Contractor Equipment

Under Southwire’s Contractor Equipment 5-Year Limited Warranty, Southwire Company, LLC warrants that all Southwire Contractor Equipment will be free from manufacturer defects for a period of five (5) years from the date of the original end user’s purchase. The following products are excluded from this 5-Year Limited Warranty and are subject to separate warranty terms: rope, blades, dies, draw studs, grips, Southwire Contractor Equipment electronic components, and Material Boxes. Under this 5-Year Limited Warranty, the following are also excluded and Southwire Company, LLC will have no liability for any of the following: normal wear and tear resulting from product use and damage arising out of misuse, abuse, modification, and improper product maintenance. This warranty also does not cover Southwire Contractor Equipment products that have been modified by any party other than Southwire Company, LLC or its authorized third party designee. This 5-Year Limited Warranty is not transferrable to or enforceable by any person other than the product’s original end user.

One-Year Limited Warranty on Rope, Blades, Dies, Draw Studs, Grips, and Southwire Contractor Equipment Electronic Components

Under this 1-Year Limited Warranty, Southwire Company, LLC warrants that all Southwire Ropes, Blades, Dies, Draw Studs, Grips, and Southwire Contractor Equipment Electronic Components will be free from manufacturer defects for a period of one-year from the date of the original end user’s purchase. Under this 1-Year Limited Warranty for the aforementioned Southwire Contractor Equipment items, the following are excluded and Southwire Company, LLC will have no liability for any of the following: normal wear and tear resulting from product use and damage arising out of misuse, abuse, modification, and improper product maintenance. This warranty also does not cover Southwire Contractor Equipment that has been modified by any party other than Southwire Company, LLC or its authorized third party designee. This 1-Year Limited Warranty is not transferrable to or enforceable by any person other than the product’s original end user.

Exclusion of Incidental, Consequential, Indirect, Special and Punitive Damages

SOUTHWIRE MAKES NO WARRANTY THAT SOUTHWIRE CONTRACTOR EQUIPMENT PRODUCTS WILL BE MERCHANTABLE OR FIT FOR ANY PARTICULAR PURPOSE. SOUTHWIRE MAKES NO OTHER WARRANTY, EXPRESSED OR IMPLIED, OTHER THAN THE RELEVANT WARRANTY SPECIFICALLY SET FORTH IN THIS WARRANTY SECTION. SOUTHWIRE WILL NOT BE LIABLE FOR ANY INCIDENTAL, CONSEQUENTIAL, INDIRECT, SPECIAL, OR PUNITIVE DAMAGES FOR ANY BREACH OF THIS LIMITED LIFETIME WARRANTY.

Some states do not allow the exclusion or limitation of incidental or consequential damages, so the above limitation or exclusion may not apply to you.

Warranty Claim Information /How Do You Get Service?

For all warranty, customer service, and product return authorizations and inquiries, please contact Southwire's Tools & Assembled Products at:

Southwire Tools & Assembled Products

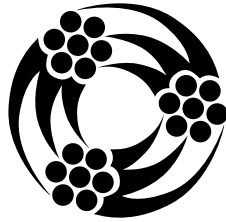
840 Old Bremen Road
Carrollton, GA, 30117

Phone Number: 1.855.SW.Tools

1. All warranty claims must be approved by Southwire's Tools & Assembled Products Warranty Department prior to return of product. If Southwire determines that a product is defective, Southwire will, at its option, repair or replace defective products or defective product components, free of charge.
2. Upon approval, Southwire will issue a Product Return Authorization Form which will include instructions on how and where to return the product. **The product serial number and the original date of delivery must be set forth on the Product Return Authorization Form.**
3. Southwire will cover standard freight charges (FedEx Ground rate) incurred in connection with products that Southwire ultimately determines to be defective.
4. All defective components and defective products that Southwire replaces under these Warranties will become Southwire's property and will be retained by Southwire.

Fixing Your Product When it is Out of Warranty

Southwire is happy to provide information about where a purchaser can send a product for repair at consumers' own expense, please contact **1.855.SW.tools** or visit **www.southwiretools.com/tools/home.do** for more information about servicing for Southwire Products.



Southwire™

TOOLS & EQUIPMENT

southwiretools.com



1-855-SW-TOOLS
Toll Free Technical Help

Contents Made in USA

Product distributed by Southwire Company, LLC
One Southwire Drive, Carrollton, GA 30119

©2016 Southwire Company, LLC. All rights reserved.

04/16

CJ-01, CJ-02 Manual



We've got it

MADE IN AMERICA™