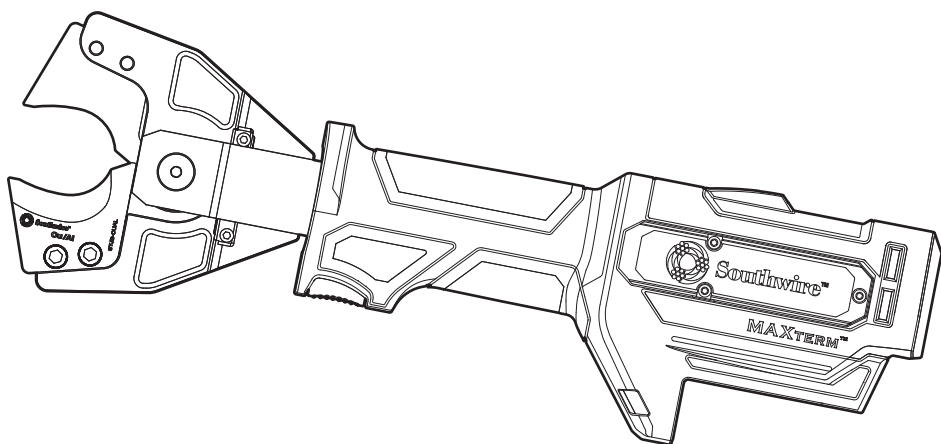




Southwire™

**OPERATOR'S MANUAL
MANUEL de L'UTILISATEUR
MANUAL del OPERADOR**



Cat. No. / No de cat.
SCU6-B

**18V MAXTerm™ CABLE CUTTER
COUPE-CÂBLE 18V MAXTerm™
CORTACABLES 18V MAXTerm™**



WARNING To reduce the risk of injury, user must read and understand operator's manual.

AVERTISSEMENT Afin de réduire le risque de blessures, l'utilisateur doit lire et bien comprendre le manuel.

ADVERTENCIA Para reducir el riesgo de lesiones, el usuario debe leer y entender el manual.

GENERAL POWER TOOL SAFETY WARNINGS

WARNING Read all safety warnings, instructions, illustrations and specifications provided with this power tool. Failure to follow all instructions listed below may result in electric shock, fire and/or serious injury. **Save all warnings and instructions for future reference.** The term "power tool" in the warnings refers to your mains-operated (corded) power tool or battery-operated (cordless) power tool.

WORK AREA SAFETY

- **Keep work area clean and well lit.** Cluttered or dark areas invite accidents.
- **Do not operate power tools in explosive atmospheres, such as in the presence of flammable liquids, gases or dust.** Power tools create sparks which may ignite the dust or fumes.
- **Keep children and bystanders away while operating a power tool.** Distractions can cause you to lose control.

ELECTRICAL SAFETY

- **Power tool plugs must match the outlet. Never modify the plug in any way. Do not use any adapter plugs with earthed (grounded) power tools.** Unmodified plugs and matching outlets will reduce risk of electric shock.
- **Avoid body contact with earthed or grounded surfaces, such as pipes, radiators, ranges and refrigerators.** There is an increased risk of electric shock if your body is earthed or grounded.
- **Do not expose power tools to rain or wet conditions.** Water entering a power tool will increase the risk of electric shock.
- **Do not abuse the cord. Never use the cord for carrying, pulling or unplugging the power tool. Keep cord away from heat, oil, sharp edges or moving parts.** Damaged or entangled cords increase the risk of electric shock.
- **When operating a power tool outdoors, use an extension cord suitable for outdoor use.** Use of a cord suitable for outdoor use reduces the risk of electric shock.
- **If operating a power tool in a damp location is unavoidable, use a ground fault circuit interrupter (GFCI) protected supply.** Use of an GFCI reduces the risk of electric shock.

PERSONAL SAFETY

- **Stay alert, watch what you are doing and use common sense when operating a power tool. Do not use a power tool while you are tired or under the influence of drugs, alcohol or medication.** A moment of inattention while operating power tools may result in serious personal injury.
- **Use personal protective equipment. Always wear eye protection.** Protective equipment such as a dust mask, non-skid safety shoes, hard hat or hearing protection used for appropriate conditions will reduce personal injuries.
- **Prevent unintentional starting. Ensure the switch is in the off-position before connecting to power source and/or battery pack, picking up or carrying the tool.** Carrying power tools with your finger on the switch or energizing power tools that have the switch on invites accidents.
- **Remove any adjusting key or wrench before turning the power tool on.** A wrench or a key left attached to a rotating part of the power tool may result in personal injury.

- **Do not overreach. Keep proper footing and balance at all times.** This enables better control of the power tool in unexpected situations.
- **Dress properly. Do not wear loose clothing or jewelry. Keep your hair and clothing away from moving parts.** Loose clothes, jewelry or long hair can be caught in moving parts.
- **If devices are provided for the connection of dust extraction and collection facilities, ensure these are connected and properly used.** Use of dust collection can reduce dust-related hazards.
- **Do not let familiarity gained from frequent use of tools allow you to become complacent and ignore tool safety principles.** A careless action can cause severe injury within a fraction of a second.

POWER TOOL USE AND CARE

- **Do not force the power tool. Use the correct power tool for your application.** The correct power tool will do the job better and safer at the rate for which it was designed.
- **Do not use the power tool if the switch does not turn it on and off.** Any power tool that cannot be controlled with the switch is dangerous and must be repaired.
- **Disconnect the plug from the power source and/or remove the battery pack, if detachable, from the power tool before making any adjustments, changing accessories, or storing power tools.** Such preventive safety measures reduce the risk of starting the power tool accidentally.
- **Store idle power tools out of the reach of children and do not allow persons unfamiliar with the power tool or these instructions to operate the power tool.** Power tools are dangerous in the hands of untrained users.
- **Maintain power tools and accessories. Check for misalignment or binding of moving parts, breakage of parts and any other condition that may affect the power tool's operation. If damaged, have the power tool repaired before use.** Many accidents are caused by poorly maintained power tools.
- **Keep cutting tools sharp and clean.** Properly maintained cutting tools with sharp cutting edges are less likely to bind and are easier to control.
- **Use the power tool, accessories and tool bits etc. in accordance with these instructions, taking into account the working conditions and the work to be performed.** Use of the power tool for operations different from those intended could result in a hazardous situation.
- **Keep handles and grasping surfaces dry, clean and free from oil and grease.** Slippery handles and grasping surfaces do not allow for safe handling and control of the tool in unexpected situations.

BATTERY TOOL USE AND CARE

- **Recharge only with the charger specified by the manufacturer.** A charger that is suitable for one type of battery pack may create a risk of fire when used with another battery pack.
- **Use power tools only with specifically designated battery packs.** Use of any other battery packs may create a risk of injury and fire.
- **When battery pack is not in use, keep it away from other metal objects, like paper clips, coins, keys, nails, screws or other small metal objects, that can make a connection from one terminal to another.** Shorting the battery terminals together may cause burns or a fire.
- **Under abusive conditions, liquid may be ejected from the battery; avoid contact. If contact ac-**

identally occurs, flush with water. If liquid contacts eyes, additionally seek medical help. Liquid ejected from the battery may cause irritation or burns.

- **Do not use a battery pack or tool that is damaged or modified.** Damaged or modified batteries may exhibit unpredictable behavior resulting in fire, explosion or risk of injury.
- **Do not expose a battery pack or tool to fire or excessive temperature.** Exposure to fire or temperature above 265°F (130°C) may cause explosion.
- **Follow all charging instructions and do not charge the battery pack or tool outside the temperature range specified in the instructions.** Charging improperly or at temperatures outside the specified range may damage the battery and increase the risk of fire.

SERVICE

- **Have your power tool serviced by a qualified repair person using only identical replacement parts.** This will ensure that the safety of the power tool is maintained.
- **Never service damaged battery packs.** Service of battery packs should only be performed by the manufacturer or authorized service providers.

SPECIFIC SAFETY RULES FOR CABLE CUTTER

- **Do not use tool without cutting jaws installed.** Fingers could be crushed.
- **Blade is sharp. Keep hands away from all cutting edges and moving parts.** Laceration and amputation can occur.
- **To reduce the risk of injury, wear safety goggles or glasses with side shields when operating or servicing the tool.** Material may crack or shatter.
- **⚠️ WARNING** To reduce the risk of explosion, electric shock and property damage, do not use on live electrical lines. Tool is NOT insulated. Contact with a live circuit could result in severe injury or death. Turn off power before making a cut. Never cut gas or water lines.
- **Maintain labels and nameplates.** These carry important information. If unreadable or missing, contact Southwire Tools & Assembled Products.
- **⚠️ WARNING** Some dust created by power sanding, sawing, grinding, drilling, and other construction activities contains chemicals known to cause cancer, birth defects or other reproductive harm. Some examples of these chemicals are:
 - lead from lead-based paint
 - crystalline silica from bricks and cement and other masonry products, and
 - arsenic and chromium from chemically-treated lumber.
 Your risk from these exposures varies, depending on how often you do this type of work. To reduce your exposure to these chemicals: work in a well ventilated area, and work with approved safety equipment, such as those dust masks that are specially designed to filter out microscopic particles.

SYMBOLOLOGY



Volts



Direct Current



Underwriters Laboratories, Inc.
United States and Canada



⚠️ WARNING To reduce the risk of explosion, electric shock and property damage, do not use on live electrical lines. Tool is NOT insulated. Contact with a live circuit could result in severe injury or death. Turn off power before making a cut. Never cut gas or water lines.



⚠️ WARNING Keep hands away from all cutting edges and moving parts. Blade is sharp. Laceration and amputation can occur.



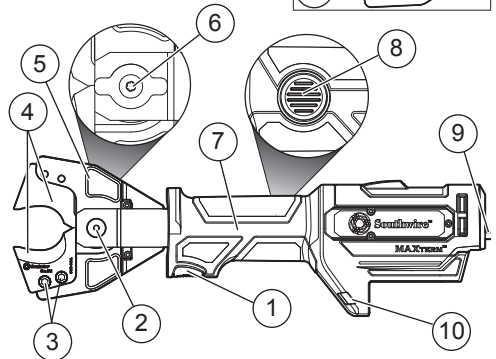
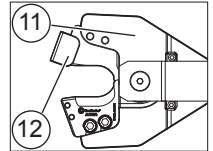
To reduce the risk of injury, wear safety goggles or glasses with side shields when operating or servicing the tool.



Read operator's manual.

FUNCTIONAL DESCRIPTION

- | | |
|-------------------------|--------------------|
| 1. Trigger | 10. LEDs |
| 2. Locking thumb screw | 11. ACSR jaws |
| 3. Socket screws (5 mm) | 12. Blade retainer |
| 4. Blades | |
| 5. CU/AL jaws | |
| 6. Retaining pin | |
| 7. Handle | |
| 8. Backup release valve | |
| 9. Hanger | |



SPECIFICATIONS

Cat. No.	SCU6-B
Volts	18 DC
Battery Type	MILWAUKEE M18™
Charger Type	MILWAUKEE M18™
Jaw Type	ACSR Jaws (STJ6-ACSR)
Maximum Capacity	ACSR: 477 MCM Hen ACSR Guy Wire: 3/8" Non-EHS Rebar: 3/8" Ground Rod: 3/8"
Replacement Blades	Cat. No. STJB-ACSR
Jaw Type	CU/AL Jaws (Cat. No. STJ6-CUAL)
Maximum Capacity	Copper Cable - 750 mcm Aluminum Cable - 1000 mcm *
Replacement Blades	Cat. No. STJB-CUAL
*CU/AL Jaws will cut any aluminum cable with a diameter less than 1.225"	

ASSEMBLY

WARNING Recharge only with the charger specified for the battery. For specific charging instructions, read the operator's manual supplied with your charger and battery.

Inserting/Removing the Battery

To **remove** the battery, push in the release buttons and pull the battery pack away from the tool.

To **insert** the battery, slide the pack into the body of the tool. Make sure it latches securely into place.

WARNING Always remove battery pack before changing or removing accessories. Only use accessories specifically recommended for this tool. Others may be hazardous. Blades are sharp. Keep hands away from cutting edge. Laceration can occur.

Inserting/Removing the Cutting Jaws

Use only Southwire cutting jaws. Do not use with other jaw types. Other jaw types can cause damage to the tool.

1. Remove the battery pack.
2. Remove the locking thumb screw (when used) from the back of the retaining pin.
3. Push in, then rotate the retaining pin counterclockwise 90°. The pin will pop out.
4. Insert the cutting jaws. Line up the center hole with the retaining pin.
5. Push in the retaining pin, then rotate clockwise 90°.
6. Insert and hand tighten the locking thumb screw.
NOTE: Use the locking thumb screw to prevent the retaining pin from being unintentionally loosened. A loose retaining pin may damage the tool.
7. Rotate the jaws to the desired angle.

CAUTION To avoid damage to the tool, do not operate the tool without the retaining pin fully inserted and locked into position. Damage to the cylinder may occur.

Changing the Blades

Replace the blades when they become dull, rounded, chipped, or damaged. Always replace blades as a set. Use only Southwire blades and cutting jaws. Refer to Specifications for replacement blade numbers.

1. Remove the battery pack.
2. Remove cutting jaws from tool.

WARNING Blades are sharp. Keep hands away from cutting edge. Laceration can occur.

3. Loosen, do not remove, the socket screws using a 5 mm hex wrench.
4. Carefully slide the blade out of the jaws, keeping fingers away from the cutting edge.
5. Insert the new blade, keeping fingers away from the cutting edge.
6. Securely tighten socket screws to 115 in-lbs.
NOTE: The tightening of the socket screws may cause the jaws to close. Keep hands and fingers out of jaws, and away from cutting edges!
7. Repeat for other blade. Always change blades as a set.

OPERATION

WARNING To reduce the risk of explosion, electric shock and property damage, do not use on live electrical lines. Tool is NOT insulated. Contact with a live circuit could result in severe injury or death. Turn off power before making a cut. Never cut gas or water lines.

Blade is sharp. Keep hands away from cutting edges and moving parts. Avoid cutting short pieces of material that put hands near blades. Laceration and amputation can occur.

Always remove battery pack before changing or removing accessories. Only use accessories specifically recommended for this tool. Others may be hazardous.

To reduce the risk of injury, wear safety goggles or glasses with side shields.

Cutting

Before cutting, ensure retaining pin is properly seated, and blade socket screws are tight.

1. Insert the workpiece squarely between the blades. Do not attempt to make angled cuts as it will damage the workpiece and blades.
2. Hold the tool firmly and support the workpiece. Ensure the workpiece is straight and centered in the jaws. Keep hands away from blades.
3. Pull and hold the trigger through the operation. When the cut is complete, the blades will separate and the tool will shut off. Release the trigger.
NOTE: Workpiece may move slightly during the cut.
4. Two LEDs will light when the trigger is pulled.

WARNING To reduce the risk of injury, only cut recommended materials for the jaws (see "Specifications"). Do not attempt to cut other materials.

Cutting Tips

- Cut farther in from the end of the material to avoid crooked cuts.
- Do not attempt angled cuts. It will damage the blades. Hold the material squarely between the blades.
- Cut clean material to extend the blade life. Wipe dirt and debris from material and blades before beginning the cut.
- Do not cut ACSR materials with CU/AL jaws. Do not cut CU/AL materials with ACSR jaws. It could damage the blades, jaws, and tool.
- When use the ACSR jaws, ensure the blade retainer is installed.

Backup Release Valve

If the jaws need to be opened without completing the cycle, press and hold the backup release valve. Hold tool securely until the cylinder retracts fully.

Jammed Blades

Dirt and debris can cause the blades to become jammed together after a cut. If the tool shuts off and the blades are still closed:

1. Press and hold the backup release valve to ensure the tool has reset.
2. Remove the battery pack.
3. Remove the jaws from the tool.
4. Use a soft mallet to tap the rear of the jaws to release.
5. Clean any dirt and debris from the blades before starting another cut.

MAINTENANCE

⚠WARNING To reduce the risk of injury, always unplug the charger and remove the battery pack from the charger or tool before performing any maintenance. Never disassemble the tool, battery pack or charger. Contact Southwire Tools & Assembled Products for ALL repairs.

Maintaining Tool

Keep your tool, battery pack and charger in good repair by adopting a regular maintenance program. Inspect your tool for issues such as undue noise, misalignment or binding of moving parts, breakage of parts, or any other condition that may affect the tool operation. Return the tool, battery pack, and charger to Southwire Tools & Assembled Products for repair. After six months to one year, depending on use, return the tool, battery pack and charger to Southwire Tools & Assembled Products for inspection.

If the tool does not start or operate at full power with a fully charged battery pack, clean the contacts on the battery pack. If the tool still does not work properly, return the tool, charger and battery pack, to Southwire Tools & Assembled Products for repairs.

Jaws and Blades

Inspect jaws for cracks or damage. Do not use damaged jaws. Replace the blades when they become dull, rounded, chipped, or damaged.

Hydraulic Fluid

To extend the life of the tool, return the tool to Southwire Tools & Assembled Products for hydraulic fluid replacement after 20,000 cuts or 2 years of use.

⚠WARNING To reduce the risk of personal injury and damage, never immerse your tool, battery pack or charger in liquid or allow a liquid to flow inside them.

Cleaning

Clean dust and debris from vents. Keep handles clean, dry and free of oil or grease. Use only mild soap and a damp cloth to clean, since certain cleaning agents and solvents are harmful to plastics and other insulated parts. Some of these harmful agents include gasoline, turpentine, lacquer thinner, paint thinner, chlorinated cleaning solvents, ammonia and household detergents containing ammonia. Never use flammable or combustible solvents around tools.

Repairs

For repairs, return the tool, battery pack and charger to Southwire Tools & Assembled Products.

ACCESSORIES

⚠WARNING Use only recommended accessories. Others may be hazardous.

For a complete listing of accessories, go online to www.southwiretools.com.

SERVICE

For all warranty, customer service, and product return authorizations and inquiries, please contact Southwire Tools & Assembled Products at:

Southwire Tools & Assembled Products
840 Old Bremen Road
Carrollton, GA 30117
Phone Number: 1.855.SW.Tools
www.southwiretools.com

WARRANTY

Every Southwire power tool is warranted to the original purchaser only to be free from defects in material and workmanship. Subject to certain exceptions, Southwire will repair or replace any part of the electric power tool which, after examination, is determined by Southwire to be defective in material or workmanship for a period of five (5) years* after the date of purchase unless otherwise noted.

Return of the power tool to Southwire or a Southwire factory service center freight prepaid and insured, is required. A copy of the proof of purchase should be included with the return product. This warranty does not apply to damage that Southwire determines to be from repairs made or attempted by anyone other than Southwire authorized personnel, or from misuse, alterations, abuse, normal wear and tear, lack of maintenance, or accidents.

All Milwaukee batteries and chargers are covered under separate and distinct warranties available for those items. For more information, visit www.milwaukeekeetool.com/service/milwaukee-warranty/cordless-battery-pack.

Warranty Registration is not necessary to obtain applicable warranty on a Southwire power tool product. The manufacturing date of the product will be used to determine the warranty period if no proof of purchase is provided at the time warranty service is requested.

THE REMEDIES SET FORTH ABOVE ARE YOUR EXCLUSIVE REMEDIES RELATING TO YOUR WARRANTED SOUTHWIRE ELECTRIC POWER TOOL. IN NO EVENT SHALL SOUTHWIRE BE LIABLE FOR ANY INCIDENTAL, SPECIAL, CONSEQUENTIAL, OR EXPENSES, LOSSES OR DELAYS ALLEGED TO BE AS A CONSEQUENCE OF ANY DAMAGE TO, FAILURE OF, OR DEFECT IN ANY PRODUCT INCLUDING, BUT NOT LIMITED TO, ANY CLAIMS FOR LOSS OF PROFITS; SOME STATES DO NOT ALLOW THE EXCLUSION OR LIMITATION OF INCIDENTAL OR CONSEQUENTIAL DAMAGES, SO THE ABOVE LIMITATION OR EXCLUSION MAY NOT APPLY TO YOU. THIS WARRANTY IS EXCLUSIVE AND IN LIEU OF ALL OTHER EXPRESS WARRANTIES, WHETHER WRITTEN OR ORAL. TO THE EXTENT PERMITTED BY LAW, SOUTHWIRE DISCLAIMS ALL IMPLIED WARRANTIES, INCLUDING WITHOUT LIMITATION IMPLIED WARRANTIES OF MERCHANTABILITY OR FITNESS FOR A PARTICULAR USE OR PURPOSE. TO THE EXTENT SUCH DISCLAIMER IS NOT PERMITTED BY LAW, SUCH IMPLIED WARRANTIES ARE LIMITED TO THE DURATION OF THE APPLICABLE EXPRESS WARRANTY AS DESCRIBED ABOVE. SOME STATES DO NOT ALLOW LIMITATIONS ON HOW LONG AN IMPLIED WARRANTY LASTS, SO THE ABOVE LIMITATION MAY NOT APPLY TO YOU. THIS WARRANTY GIVES YOU SPECIFIC LEGAL RIGHTS, AND YOU MAY ALSO HAVE OTHER RIGHTS WHICH VARY FROM STATE TO STATE.

Model: _____

Date of Purchase: _____

Distributor: _____

RÈGLES DE SÉCURITÉ GÉNÉRALES RELATIVES AUX OUTILS ÉLECTRIQUES

▲ AVERTISSEMENT Lire toutes les consignes de sécurité, consignes, illustrations et spécifications fournies avec cet outil électrique. Ne pas suivre l'ensemble des règles et instructions peut entraîner une électrocution, un incendie ou des blessures graves. **Conserver les règles et les instructions à des fins de référence ultérieure.** Le terme «outil électrique» figurant dans les avertissements ci-dessous renvoie à l'outil électrique à alimentation par le réseau (à cordon) ou par batterie (sans fil).

SÉCURITÉ DU LIEU DE TRAVAIL

- **Veillez à ce que l'aire de travail soit propre et bien éclairée.** Le désordre et le manque de lumière favorisent les accidents.
- **Ne pas utiliser d'outils électriques dans des atmosphères explosives, par exemple en présence de liquides, gaz ou poussières inflammables.** Les outils électriques produisent des étincelles risquant d'enflammer les poussières ou vapeurs.
- **S'assurer que les enfants et les curieux se trouvent à une bonne distance au moment d'utiliser un outil électrique.** Les distractions peuvent causer une perte de contrôle.

SÉCURITÉ ÉLECTRIQUE

- **Les fiches des outils électriques doivent correspondre à la prise secteur utilisée. Ne jamais modifier la fiche, de quelque façon que ce soit. Ne jamais utiliser d'adaptateurs de fiche avec des outils mis à la terre.** Les fiches et prises non modifiées réduisent le risque de choc électrique.
- **Éviter tout contact avec des surfaces mises à la terre comme des tuyaux, des radiateurs, des cuisinières et des réfrigérateurs.** Le risque de choc électrique est accru lorsque le corps est mis à la terre.
- **Ne pas exposer les outils électriques à l'eau ou l'humidité.** La pénétration d'eau dans ces outils accroît le risque de choc électrique.
- **Ne pas maltraiter le cordon d'alimentation. Ne jamais utiliser le cordon d'alimentation pour transporter l'outil électrique et ne jamais débrancher ce dernier en tirant sur le cordon. Garder le cordon à l'écart de la chaleur, de l'huile, des objets tranchants et des pièces en mouvement. Un cordon endommagé ou emmêlé accroît le risque de choc électrique.**
- **Pour les travaux à l'extérieur, utiliser un cordon spécialement conçu à cet effet.** Utiliser un cordon conçu pour l'usage extérieur réduit les risques de choc électrique.
- **Si l'utilisation d'un outil électrique est inévitable dans un endroit humide, utiliser une source d'alimentation munie d'un disjoncteur de fuite de terre.** L'utilisation d'un disjoncteur de fuite de terre réduit le risque de choc électrique.

SÉCURITÉ INDIVIDUELLE

- **Rester attentif, prêter attention au travail et faire preuve de bon sens lors de l'utilisation de tout outil électrique. Ne pas utiliser cet appareil en cas de fatigue ou sous l'influence de l'alcool, de drogues ou de médicaments.** Un moment d'inattention pendant l'utilisation d'un outil électrique peut entraîner des blessures graves.
- **Porter l'équipement de protection individuel requis. Toujours porter une protection oculaire.** Selon les conditions, porter aussi un masque an-

tipoussières, des bottes de sécurité antidérapantes, un casque protecteur ou une protection auditive afin de réduire les blessures.

- **Empêcher les démarrages accidentels. S'assurer que la gâchette est en position d'arrêt avant de brancher l'outil à une source de courant, d'insérer la batterie, de le ramasser ou de le transporter.** Le fait de transporter un outil électrique en gardant le doigt sur la gâchette ou de mettre sous tension un outil électrique lorsque la gâchette est en position de marche favorise les accidents.
- **Retirer les clés de réglage avant de mettre l'outil en marche.** Une clé laissée sur une pièce rotative de l'outil peut causer des blessures.
- **Ne pas travailler hors de portée. Toujours se tenir bien campé et en équilibre.** Une bonne stabilité procure un meilleur contrôle de l'outil électrique en cas d'imprévus.
- **Porter une tenue appropriée. Ne porter ni vêtements amples, ni bijoux. Garder les cheveux et les vêtements à l'écart des pièces en mouvement.** Les vêtements flottants, les bijoux ou les cheveux longs risquent d'être happés par les pièces en mouvement.
- **Si les outils sont équipés de dispositifs de dépoùssiérage, s'assurer qu'ils sont connectés et correctement utilisés.** L'utilisation d'un collecteur de poussière permet de réduire les dangers liés à la poussière.
- **Ne pas laisser la familiarité avec l'outil acquise par une utilisation fréquente vous rendre suffisant et vous amener à ignorer les règles de sécurité.** Une utilisation négligée peut causer une blessure grave en une fraction de seconde.

UTILISATION ET ENTRETIEN DE L'OUTIL ÉLECTRIQUE

- **Ne pas forcer l'outil électrique. Utiliser l'outil électrique approprié pour l'application.** Un outil électrique approprié exécutera le travail mieux et de façon moins dangereuse s'il est utilisé dans les limites prévues.
- **Ne pas utiliser l'outil électrique si le commutateur ne permet pas de le mettre en marche ou de l'arrêter.** Tout outil électrique qui ne peut pas être contrôlé par son commutateur est dangereux et doit être réparé.
- **Débrancher l'outil et/ou retirer le bloc-piles, si possible, avant d'effectuer des réglages, de changer d'accessoire ou de remiser l'outil.** Ces mesures de sécurité préventives réduisent les risques de démarrage accidentel de l'outil.
- **Entreposer l'outil électrique hors de la portée des enfants et interdire à quiconque de l'utiliser si la personne ne connaît pas bien le produit ou les instructions.** Les outils électriques sont dangereux dans les mains d'utilisateurs novices.
- **Entretien les outils électriques et les accessoires. Vérifier qu'aucune pièce mobile n'est mal alignée ou bloquée, qu'aucune pièce n'est brisée et s'assurer qu'aucun autre problème risqué d'affecter le bon fonctionnement de l'outil. En cas de dommages, faire réparer l'outil avant de l'utiliser.** Plusieurs accidents sont causés par des produits mal entretenus.
- **Garder les outils bien affûtés et propres.** Des outils correctement entretenus et dont les tranchants sont bien affûtés risquent moins de se bloquer et sont plus faciles à contrôler.
- **Utiliser l'outil électrique, les accessoires, les embouts etc. conformément à ces instructions en**

tenant compte des conditions de travail et de la tâche à effectuer. L'usage d'un outil électrique pour des applications pour lesquelles il n'est pas conçu peut être dangereux.

• **Garder les poignées et les surfaces de préhension sèches, propres et exemptes d'huile ou de graisse.** Des poignées et des surfaces de préhension glissantes ne permettent pas de manipuler et de contrôler l'outil en toute sécurité en cas de situation imprévue.

UTILISATION ET ENTRETIEN DE LA BATTERIE

• **Pour recharger le bloc-piles, utiliser seulement le chargeur spécifié par le fabricant.** Un chargeur pouvant convenir à un type de bloc-piles peut entraîner un risque d'incendie lorsqu'il est utilisé avec un autre type de bloc-piles.

• **N'utiliser l'outil électrique qu'avec une batterie recommandée.** L'utilisation de tout autre bloc-piles peut créer un risque de blessures et d'incendie.

• **Lorsque le bloc-piles n'est pas utilisé, le tenir éloigné des objets en métal tels que les trombones, les pièces de monnaie, les clés, les clous, les vis ou d'autres petits objets métalliques qui pourraient connecter les bornes.** Le court-circuitage des bornes d'une pile peut entraîner des brûlures ou un incendie.

• **Éviter tout contact avec le liquide pouvant être éjecté de la pile en cas de manutention abusive. En cas de contact accidentel, rincer immédiatement les parties atteintes avec de l'eau. Si le liquide entre en contact avec les yeux, consulter un médecin.** Le liquide éjecté des piles peut causer des irritations ou des brûlures.

• **N'utiliser aucun bloc-piles ni aucun outil ayant été endommagé ou modifié.** Des piles endommagées ou modifiées peuvent adopter un comportement imprévisible pouvant causer un incendie, une explosion ou le risque de blessures.

• **Ne pas exposer le bloc-piles ou l'outil aux flammes ou à une température excessive.** Une exposition aux flammes ou à une température supérieure à 130°C (265°F) peut causer une explosion.

• **Suivre toutes les instructions de charge et ne pas charger le bloc-piles ou l'outil en dehors de la plage de température spécifiée.** Une charge incorrecte ou à des températures en dehors de la plage spécifiée peut endommager la pile et augmenter le risque d'incendie.

ENTRETIEN

• **Les réparations de l'outil électrique doivent être confiées à un technicien qualifié, utilisant exclusivement des pièces identiques à celles d'origine.** Le maintien de la sûreté de l'outil électrique sera ainsi assuré.

• **Ne jamais effectuer la réparation d'un bloc-piles endommagé.** La réparation du bloc-piles doit être réalisée par le fabricant ou les fournisseurs de service agréés uniquement.

RÈGLES DE SÉCURITÉ SPÉCIFIQUES POUR COUPE-CÂBLE

• **N'utilisez pas l'outil sans les mâchoires installées.** Vos doigts risquent d'être écrasés.

• **La lame est bien aiguisée. Garder les mains à l'écart des rebords tranchants et des pièces en mouvement.** Une lacération ou une amputation peut se produire.

• **Pour réduire le risque de blessure, porter des lunettes de sécurité ou des lunettes avec écrans latéraux.** Matériau peut se fendre ou de se casser.

• **⚠ AVERTISSEMENT** Pour réduire les risques d'explosion, de décharge électrique ou de dommages matériels, ne pas utiliser sur des lignes électriques sous tension. L'outil N'est PAS isolé. Le contact avec un circuit sous tension peut entraîner des blessures graves ou même la mort. Couper l'alimentation avant de procéder à une coupe. Ne jamais couper de conduites de gaz ou d'eau.

• **Maintenir en l'état les étiquettes et les plaques d'identification.** Des informations importantes y figurent. Si elles deviennent illisibles ou manquantes, contacter Southwire Tools & Assembled Products.

• **⚠ AVERTISSEMENT** Certaines poussières générées par les activités de ponçage, de coupe, de rectification, de perforage et d'autres activités de construction contiennent des substances considérées être la cause de malformations congénitales et de troubles de l'appareil reproducteur. Parmi ces substances figurent:

- le plomb contenu dans les peintures à base de plomb;
 - la silice cristalline des briques, du ciment et d'autres matériaux de maçonnerie, ainsi que
 - l'arsenic et le chrome des sciages traités chimiquement.
- Les risques encourus par l'opérateur envers ces expositions varient en fonction de la fréquence de ce type de travail. Pour réduire l'exposition à ces substances chimiques, l'opérateur doit: travailler dans une zone bien ventilée et porter l'équipement de sécurité approprié, tel qu'un masque anti-poussière spécialement conçu pour filtrer les particules microscopiques.

PICTOGRAPHIE



Volts



Courant direct



Underwriters Laboratories, Inc.
États-Unis et Canada



• **⚠ AVERTISSEMENT** Pour réduire les risques d'explosion, de décharge électrique ou de dommages matériels, ne pas utiliser sur des lignes électriques sous tension. L'outil N'est PAS isolé. Le contact avec un circuit sous tension peut entraîner des blessures graves ou même la mort. Couper l'alimentation avant de procéder à une coupe. Ne jamais couper de conduites de gaz ou d'eau.



• **⚠ AVERTISSEMENT** Garder les mains à l'écart des rebords tranchants et des pièces en mouvement. La lame est bien aiguisée. Une lacération ou une amputation peut se produire.



• Pour réduire le risque de blessure, porter des lunettes de sécurité ou des lunettes avec écrans latéraux pendant l'utilisation ou l'entretien de l'outil.



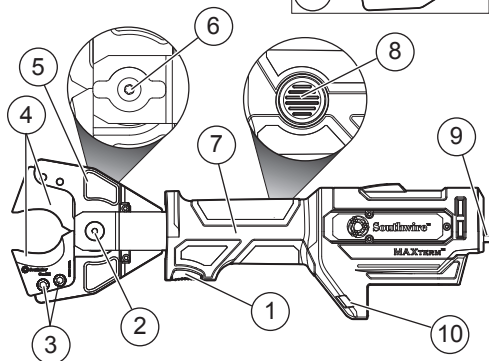
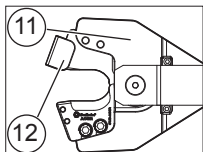
Lire le manuel d'utilisation.

SPECIFICATIONS

No de Cat.....	SCU6-B
Volts	18 DC
Type de batterie.....	MILWAUKEE M18™
Type de chargeur.....	MILWAUKEE M18™
Type de mâchoire	Mâchoires ACSR (No de Cat. STJ6-ACSR)
Capacité maximale...ACSR : 477 MCM Hen ACSR	
Hauban : 10 mm (3/8") Non-EHS	
Barre d'armature : 10 mm (3/8")	
Barre de mise à la terre : 10 mm (3/8")	
Lames de rechange.....	No de Cat. STJB-ACSR
Type de mâchoire	Mâchoires CU/AL (No de Cat. STJ6-CUAL)
Capacité maximale.....	Câble en aluminium - 1000 MCM *
Lames de rechange.....	No de Cat. STJB-CUAL
*Les mâchoires pour câble en cuivre CU/AL couperont tout câble en aluminium de diamètre de moins de 31 mm (1,225")	

DESCRIPTION FONCTIONNELLE

- | | |
|-----------------------------------|-----------------------------------|
| 1. Gâchette | 10. DEL |
| 2. Vis de verrouillage à oreilles | 11. Mâchoires ACSR |
| 3. Vis six pans creux (5 mm) | 12. Dispositif de retenue de lame |
| 4. Lames | |
| 5. CU/AL jaws | |
| 6. Clavette d'arrêt | |
| 7. Poignée | |
| 8. Soupape de vidange de secours | |
| 9. Support | |



MONTAGE DE L'OUTIL

⚠ AVERTISSEMENT Ne recharger la batterie qu'avec le chargeur spécifié. Pour les instructions de charge spécifiques, lire le manuel d'utilisation fourni avec le chargeur et les batteries.

Insertion/Retrait de la batterie

Pour **retirer** la batterie, enfoncer les boutons de déverrouillage et la tirer hors de l'outil.
Pour **insérer** la batterie, la glisser dans le corps de l'outil. S'assurer qu'elle est fixée solidement.

⚠ AVERTISSEMENT Il faut toujours retirer la batterie et verrouiller la détente de l'outil avant de changer ou d'enlever les accessoires. L'emploi d'accessoires autres que ceux qui sont expressément recommandés pour cet outil peut comporter des risques.

Les lames sont tranchantes. Garder les mains à l'écart du rebord tranchant. Une lacération peut se produire.

Insertion et retrait des mâchoires coupantes

Utiliser uniquement les mâchoires coupantes de Southwire. Ne pas utiliser d'autres types de mâchoires. Les autres types de mâchoires peuvent endommager l'outil.

- Retirez le bloc-piles.
- Retirer la vis de verrouillage (lorsqu'il est utilisé) à oreilles de l'arrière de la goupille de retenue.
- Appuyez, puis tournez la clavette d'arrêt dans le sens contraire des aiguilles d'une montre sur 90° . La clavette se dégagera.
- Insérez les mâchoires coupantes. Alignez le trou central sur la clavette d'arrêt.
- Appuyez sur la clavette d'arrêt, puis tournez dans le sens des aiguilles d'une montre 90° .
- Insérer et serrer manuellement la vis de verrouillage à oreilles à 13 N.m.

REMARQUE : Utilisez la vis de verrouillage à oreilles pour empêcher la clavette d'arrêt de se détachant involontairement. Une clavette lâche d'arrêt peut-être endommager l'outil.

- Faites tourner les mâchoires à l'angle désiré.

⚠ ATTENTION Pour éviter d'endommager l'outil, n'utilisez pas l'outil sans la clavette d'arrêt complètement insérée et verrouillée en place. Cela pourrait endommager le cylindre.

Remplacement des lames

Remplacez les lames émoussées, arrondies, ébréchées ou endommagées. Les lames doivent toujours être remplacées en paires.

Utilisez uniquement les mâchoires et les lames coupantes de Southwire. Se référer aux spécifications pour les numéros de lame de remplacement.

1. Retirez le bloc-piles.
2. Retirez les mors de coupe de l'outil.

⚠ AVERTISSEMENT Les lames sont tranchantes. Garder les mains à l'écart du rebord tranchant. Une lacération peut se produire.

3. Desserrez, sans retirer, les vis à six pans creux à l'aide d'une clé hexagonale de 5 mm.
 4. Glissez soigneusement la lame loin des mâchoires, en gardant les mains à l'écart du rebord tranchant.
 5. Insérez la nouvelle lame en gardant les mains à l'écart du rebord tranchant.
 6. Serrez fermement les vis à six pans creux.
- REMARQUE :** Le serrage des vis à six pans creux peut causer la fermeture des mâchoires. Gardez les mains et les doigts à l'écart des mâchoires et des rebords tranchants.
7. Répétez l'opération de l'autre côté. Les lames doivent toujours être remplacées en paires.

MANIEMENT

⚠ AVERTISSEMENT Pour réduire les risques d'explosion, de décharge électrique ou de dommages matériels, ne pas utiliser sur des lignes électriques sous tension. L'outil N'est PAS isolé. Le contact avec un circuit sous tension peut entraîner des blessures graves ou même la mort. Couper l'alimentation avant de procéder à une coupe. Ne jamais couper de conduites de gaz ou d'eau.

La lame est bien aiguisée. Garder les mains à l'écart des rebords tranchants et des pièces en mouvement. Ne pas couper de petits morceaux de matériau qui exigent la mise des mains près des lames. Une lacération ou une amputation peut se produire.

Il faut toujours retirer la batterie et verrouiller la détente de l'outil avant de changer ou d'enlever les accessoires. L'emploi d'accessoires autres que ceux qui sont expressément recommandés pour cet outil peut comporter des risques.

Pour minimiser les risques de blessures, portez des lunettes à coques latérales.

Coupe

Avant de couper, s'assurer que la clavette d'arrêt est correctement installée et les vis à six pans creux de la lame sont serrés.

1. Insérer la pièce directement entre les lames. Ne pas tenter de faire des coupes en biais car cela endommagera la pièce et les lames.
2. Tenir fermement l'outil et soutenir la pièce. S'assurer que la pièce est droite et centrée dans les mâchoires. Garder les mains à l'écart des lames.
3. Appuyer sur la gâchette et la maintenir enfoncée pendant l'opération. Une fois la coupe terminée, les lames se séparent et l'outil s'arrête. Relâcher la gâchette.

REMARQUE : La pièce peut se déplacer légèrement pendant la coupe.

4. Deux voyants s'allument lorsque la gâchette est appuyée.

⚠ AVERTISSEMENT Pour réduire les risques de blessures, ne couper que des matériaux recommandés pour les mâchoires (voir « Caractéristiques techniques »). Ne pas essayer de couper d'autres matériaux.

Conseils de coupe

- Continuer à couper à partir de l'extrémité du matériau afin d'éviter les coupures tordues.
- Ne pas essayer de couper en biais. Cela endommagera les lames. Tenir le matériau directement entre les lames.
- Couper du matériau propre pour prolonger la durée de vie de la lame. Essuyer la saleté et les débris de matériau et des lames avant de commencer la coupe.
- Ne pas couper des matériaux ACSR avec les mâchoires CU/AL. Ne pas couper des matériaux CU/AL avec les mâchoires ACSR. Cela pourrait endommager les lames, les mâchoires et l'outil.
- Lors de l'utilisation des mâchoires ACSR, s'assurer que le dispositif de retenue de lame est installé.

Souape de vidange de secours

S'il faut ouvrir les mâchoires doivent sans avoir terminé le cycle, appuyer et maintenir la valve de vidange de secours. Tenir fermement l'outil jusqu'à ce que le cylindre se rétracte complètement.

Lames coincées

La saleté et les débris peuvent causer le coincement des lames après une coupe. Si l'outil s'arrête et les lames sont toujours fermées :

1. Appuyer et maintenir la valve de vidange de secours pour s'assurer que l'outil a été réinitialisé.
2. Retirez le bloc-piles.
3. Retirer les mâchoires de l'outil.
4. Utiliser un maillet souple pour taper l'arrière des mâchoires et les dégager.
5. Nettoyer toute la saleté et les débris des lames avant de procéder à une autre coupe.

ENTRETIEN

⚠ AVERTISSEMENT Pour minimiser les risques de blessures corporelles, débranchez le chargeur et retirez la batterie du chargeur ou de l'outil avant d'y effectuer des travaux d'entretien. Ne démontez jamais l'outil, la batterie ou le chargeur. Contacter Southwire Tools & Assembled Products pour TOUS travaux de réparation.

Entretien de l'outil

Gardez l'outil en bon état en adoptant un programme d'entretien ponctuel. Inspectez votre outil pour des questions telles que le bruit excessif, de grippage des pièces mobiles, de pièces cassées ou toute autre condition qui peut affecter le fonctionnement de l'outil. Retourner l'outil, le bloc-piles et le chargeur à Southwire Tools & Assembled Products pour la réparation. Après une période pouvant aller de 6 mois à un an, selon l'usage, retourner l'outil, le bloc-piles et le chargeur à Southwire Tools & Assembled Products pour l'inspection.

Si l'outil ne démarre pas ou ne fonctionne pas à pleine puissance alors qu'il est branché sur une batterie complètement chargée, nettoyez les points de contact entre la batterie et l'outil. Si l'outil ne fonctionne toujours pas correctement, retourner l'outil, le bloc-piles et le chargeur à Southwire Tools & Assembled Products pour la réparation.

Mâchoires et lames

Inspecter les mâchoires pour fissures ou dommages. Ne pas utiliser des mâchoires endommagées. Remplacer les lames émoussées, arrondies, ébréchées ou endommagées.

Liquide hydraulique

Pour prolonger la durée de vie de l'outil, retourner l'outil à Southwire Tools & Assembled Products pour le remplacement du liquide hydraulique après 20 000 coupes ou 2 années d'utilisation.

⚠ AVERTISSEMENT Pour minimiser les risques de blessures ou de dommages à l'outil, n'immergez jamais l'outil, la batterie ou le chargeur et ne laissez pas de liquide s'y infiltrer.

Nettoyage

Débarassez les événements des débris et de la poussière. Gardez les poignées propres, à sec et exemptes d'huile ou de graisse. Le nettoyage doit se faire avec un linge humide et un savon doux. En voici certains des agents dangereux : l'essence, la térébenthine, les diluants à laque ou à peinture, les solvants chlorés, l'ammoniaque et les détergents à usage domestique qui en contiennent. Ne laissez jamais de solvants inflammables ou combustibles auprès des outils.

Réparations

Pour les réparations, retourner l'outil, le bloc-piles et le chargeur à Southwire Tools & Assembled Products.

ACCESSOIRES

⚠ AVERTISSEMENT L'utilisation d'autres accessoires que ceux qui sont spécifiquement recommandés pour cet outil peut comporter des risques.

Pour une liste complète des accessoires, visiter le site internet www.southwiretools.com.

SERVICE

Pour toute garantie, tout service à la clientèle et toutes autorisations de retour de produit, veuillez contacter Southwire Tools & Assembled Products à :

Southwire Tools & Assembled Products
840 Old Bremen Road
Carrollton, GA 30117
Numéro de téléphone : 1.855.SW.Tools
www.southwiretools.com

GARANTIE

Chaque outil électrique de Southwire est garanti à l'acheteur d'origine seulement pour être exempt de vice de matériau et de fabrication. Sous réserve de certaines exceptions, Southwire réparera ou remplacera toute pièce de l'outil électrique qui, après examen par Southwire, s'est avérée être affectée d'un vice de matériau ou de fabrication et ce pendant une période de cinq (5) ans* à compter de la date d'achat, sauf indication contraire.

Retourner l'outil électrique à Southwire ou à un centre de réparation en usine de Southwire, en port prépayé et assuré. Une copie de la preuve d'achat doit être présentée avec le produit retourné. Cette garantie ne couvre pas les dommages que Southwire détermine être causés par des réparations ou des tentatives de réparation par quiconque autre que le personnel agréé par Southwire, ou par des utilisations incorrectes, des altérations, des utilisations abusives, une usure normale, une carence d'entretien ou des accidents.

Toutes les piles et tous les chargeurs de Milwaukee sont couverts par des garanties séparées distinctes pour ces produits. Pour de plus amples renseignements, visitez www.milwaukeeetool.com/service/milwaukee-warranty/cordless-battery-pack.

L'enregistrement de la garantie n'est pas nécessaire pour bénéficier de la garantie en vigueur sur un outil électrique Southwire. La date de fabrication du produit servira à établir la période de garantie si aucune preuve d'achat n'est fournie lorsqu'une demande de service sous garantie est déposée.

LES GARANTIES EXPOSÉES CI-DESSUS SONT VOTRE RECOURS EXCLUSIF RELATIF À VOTRE OUTIL ÉLECTRIQUE GARANTI DE SOUTHWIRE. EN AUCUN CAS, SOUTHWIRE NE SAURAIT ÊTRE RESPONSABLE DE TOUT DOMMAGE ACCESSOIRE, SPÉCIAL OU INDIRECT, DE DOMMAGES-INTÉRÊTS, DE FRAIS, DE PERTE OU DE DÉLAIS ACCESSOIRES À TOUT DOMMAGE, DÉFAILLANCE OU DÉFAUT DE TOUT PRODUIT, Y COMPRIS, MAIS SANS S'Y LIMITER, LES PERTES DE PROFIT. CERTAINS ÉTATS ET PROVINCES NE PERMETTANT PAS L'EXCLUSION OU LA LIMITATION DES DOMMAGES DIRECTS OU INDIRECTS, LES RESTRICTIONS CI-DESSUS PEUVENT NE PAS VOUS ÊTRE APPLICABLES. CETTE GARANTIE EST EXCLUSIVE ET REMPLACE TOUTE AUTRE GARANTIE EXPRESSE, QU'ELLE SOIT VERBALE OU ÉCRITE. DANS LA MESURE PERMISE PAR LA LOI, SOUTHWIRE RENONCE À TOUTE GARANTIE IMPLICITE, Y COMPRIS, MAIS SANS S'Y LIMITER, TOUTE GARANTIE IMPLICITE DE QUALITÉ MARCHANDE OU D'ADAPTATION À UNE UTILISATION OU À UNE FIN PARTICULIÈRE, DANS LA MESURE OU UNE TELLE STIPULATION D'EXONÉRATION N'EST PAS PERMISE PAR LA LOI. LA DURÉE DE CES GARANTIES IMPLICITES EST LIMITÉE À LA PÉRIODE APPLICABLE DE LA GARANTIE EXPRESSE, TELLE QUE CELA EST DÉCRIT PRÉCÉDEMMENT. CERTAINS ÉTATS ET PROVINCES NE PERMETTANT PAS DE LIMITATION DE DURÉE DES GARANTIES IMPLICITES, LES RESTRICTIONS CI-DESSUS PEUVENT NE PAS VOUS ÊTRE APPLICABLES. LA PRÉSENTE GARANTIE VOUS CONFÈRE DES DROITS LÉGAUX PARTICULIERS; VOUS POURREZ BÉNÉFICIER ÉGALEMENT D'AUTRES DROITS QUI VARIENT D'UN ÉTAT À L'AUTRE.

Modèle : _____

Date d'achat : _____

Distributeur : _____

ADVERTENCIAS DE SEGURIDAD GENERALES PARA LA HERRAMIENTA ELÉCTRICA

▲ ADVERTENCIA Lea todas las advertencias de seguridad, instrucciones, ilustraciones y especificaciones con esta herramienta eléctrica. Si no sigue todas las advertencias e instrucciones, se pueden provocar una descarga eléctrica, un incendio o lesiones graves. **Guarde todas las advertencias e instrucciones para consultarlas en el futuro.** El término "herramienta eléctrica" en todas las advertencias incluidas más abajo se refiere a su herramienta operada por conexión (cable) a la red eléctrica o por medio de una batería (inalámbrica).

SEGURIDAD EN EL ÁREA DE TRABAJO

- **Mantenga el área de trabajo limpia y bien iluminada.** Las áreas desordenadas u oscuras son propicias para los accidentes.
- **No utilice herramientas eléctricas en atmósferas explosivas, tales como en presencia de líquidos, gases o polvos inflamables.** Las herramientas eléctricas generan chispas que pueden encender el polvo o los vapores.
- **Mantenga a los niños y a los espectadores alejados mientras utiliza una herramienta eléctrica.** Las distracciones pueden ocasionar la pérdida de control.

SEGURIDAD ELÉCTRICA

- **Los enchufes de la herramienta eléctrica deben coincidir con el tomacorriente.** Nunca modifique el enchufe de ninguna manera. **No utilice adaptadores de enchufe con herramientas eléctricas aterrizadas.** Los enchufes y tomacorrientes correspondientes sin modificar reducirán el riesgo de descarga eléctrica.
- **Evite el contacto corporal con superficies aterrizadas, tales como tuberías, radiadores, estufas y refrigeradores.** Existe un riesgo mayor de descarga eléctrica si su cuerpo está aterrizado.
- **No exponga las herramientas eléctricas a la lluvia ni a condiciones húmedas.** Si se introduce agua en una herramienta eléctrica, aumentará el riesgo de descarga eléctrica.
- **No maltrate el cable.** Nunca utilice el cable para cargar, jalar o desconectar la herramienta eléctrica. Mantenga el cable alejado del calor, el aceite, los bordes afilados o las partes en movimiento. Los cables dañados o enredados aumentan el riesgo de descarga eléctrica.
- **Al utilizar una herramienta eléctrica en exteriores, utilice una extensión adecuada para uso en exteriores.** El uso de una extensión adecuada para el uso en exteriores disminuye el riesgo de descarga eléctrica.
- **Si es inevitable utilizar una herramienta eléctrica en un lugar húmedo, utilice un alimentador de corriente protegido con un interruptor de circuito por falla de conexión a tierra (GFCI).** El uso de un GFCI reduce el riesgo de descarga eléctrica.

SEGURIDAD PERSONAL

- **Manténgase alerta, atento a lo que está haciendo y utilice el sentido común al utilizar una herramienta eléctrica.** No utilice una herramienta eléctrica mientras está cansado o bajo la influencia de drogas, alcohol o medicamentos. Un momento de distracción al utilizar herramientas eléctricas puede ocasionar lesiones personales graves.
- **Utilice equipo de protección personal.** Siempre use protección para los ojos. El equipo de protec-

ción, tal como una máscara contra polvo, calzado antideslizante, casco o protección auditiva, utilizado para condiciones adecuadas disminuirá las lesiones personales.

- **Evite el arranque accidental.** Asegúrese de que el interruptor esté en la posición de apagado antes de conectarlo a una fuente de poder y/o batería, levantar o trasladar la herramienta. Trasladar herramientas con el dedo en el interruptor o energizar herramientas eléctricas que tienen el interruptor encendido propicia accidentes.
- **Retire cualquier llave de ajuste antes de entender la herramienta.** Una llave que se deje insertada en una parte giratoria de la herramienta eléctrica puede ocasionar lesiones personales.
- **No estire el cuerpo demasiado.** Mantenga un buen contacto entre los pies y el suelo y mantenga el equilibrio en todo momento. Esto permite un mejor control de la herramienta eléctrica en situaciones inesperadas.
- **Vístase adecuadamente.** No utilice ropa o joyería holgada. Mantenga el cabello y la ropa alejados de las partes móviles. La ropa holgada, las alhajas o el cabello largo pueden quedarse atrapados en las partes móviles.
- **Si se proporcionan dispositivos para la conexión de instalaciones de extracción y recolección de polvo, cerciórese de que estén conectados y se utilicen correctamente.** El uso de dispositivos recolectores de polvo puede disminuir los riesgos relacionados con el polvo.
- **No permita que la familiaridad por el uso frecuente de las herramientas lo hagan sentirse seguro e ignorar los principios de seguridad de las herramientas.** Un descuido puede provocar lesiones graves en una fracción de segundo.

USO Y CUIDADO DE LAS HERRAMIENTAS ELÉCTRICAS

- **No fuerce la herramienta eléctrica.** Utilice la herramienta eléctrica correcta para su aplicación. La herramienta eléctrica correcta realizará el trabajo mejor y con mayor seguridad a la velocidad para la que fue diseñada.
- **No utilice la herramienta eléctrica si el interruptor no la enciende y la apaga.** Cualquier herramienta eléctrica que no pueda controlarse con el interruptor es peligrosa y debe repararse.
- **Desconecte el enchufe de la fuente de energía y/o quite la batería de la herramienta eléctrica, si es posible, antes de realizar cualquier ajuste, cambiar accesorios o almacenar las herramientas eléctricas.** Tales medidas preventivas de seguridad disminuyen el riesgo de que la herramienta eléctrica se encienda accidentalmente.
- **Almacene las herramientas eléctricas que no se estén utilizando fuera del alcance de los niños y no permita que personas que no estén familiarizadas con la herramienta eléctrica o con estas instrucciones la utilicen.** Las herramientas eléctricas son peligrosas en manos de usuarios sin capacitación.
- **Dé mantenimiento a las herramientas eléctricas y accesorios.** Verifique que no haya desalineación, amarre de partes móviles, partes rotas o alguna otra condición que pueda afectar el funcionamiento de la herramienta eléctrica. Si se daña, asegúrese de que la herramienta eléctrica sea reparada antes de que se utilice. Muchos accidentes son ocasionados por herramientas eléctricas con mantenimiento deficiente.

REGLAS ESPECIFICAS DE SEGURIDAD PARA CORTACABLES

- **Mantenga las herramientas de corte afiladas y limpias.** Las herramientas de corte correctamente mantenidas con bordes de corte afilados son menos propensas a atorarse y son más fáciles de controlar.
- **Utilice la herramienta eléctrica, los accesorios y las puntas, etc. de acuerdo con estas instrucciones, tomando en cuenta las condiciones de trabajo y el trabajo a realizar.** El uso de la herramienta eléctrica para operaciones diferentes a las previstas podría generar una situación peligrosa.
- **Mantenga las empuñaduras y ñas superficies de sujeción secas, limpias y libres de aceite y grasa.** Las empuñaduras y superficies de sujeción resbalosas no permiten el manejo y control seguros de la herramienta en situaciones inesperadas.

USO Y CUIDADO DE LAS HERRAMIENTAS CON BATERÍA

- **Recargue únicamente con el cargador especificado por el fabricante.** Un cargador que es adecuado para un tipo de batería puede crear un riesgo de incendio si se utiliza con otra batería.
- **Utilice las herramientas eléctricas únicamente con baterías específicamente diseñadas.** El uso de cualquier otra batería puede producir un riesgo de lesiones e incendio.
- **Cuando la batería no esté en uso, manténgala alejada de otros objetos metálicos como sujetapapeles, monedas, llaves, clavos, tornillos u otros objetos metálicos pequeños que puedan formar una conexión de una terminal a otra.** Crear un corto entre las terminales de la batería puede ocasionar quemaduras o un incendio.
- **Bajo condiciones de maltrato, el líquido puede ser expulsado de la batería, evite el contacto. En caso de contacto accidental, lave con agua. Si el líquido entra en contacto con los ojos, busque además ayuda médica.** El líquido expulsado de la batería puede causar irritación o quemaduras.
- **No use una batería o herramienta que se haya dañado o modificado.** Las baterías dañadas o modificadas pueden mostrar un comportamiento impredecible, causando incendios, explosión o riesgo de lesión.
- **No exponga una batería o herramienta al fuego o a temperatura excesiva.** La exposición a fuego o temperatura a más de 130° C (265° F) puede causar explosiones.
- **Siga todas las instrucciones de carga y no cargue la batería o la herramienta fuera del rango de temperatura especificado en las instrucciones.** La carga incorrecta o a temperaturas fuera del rango especificado puede dañar la batería y aumentar el riesgo de incendio.

MANTENIMIENTO

- **Lleve su herramienta eléctrica a servicio con un técnico calificado que use únicamente piezas de reemplazo idénticas.** Esto asegurará que la seguridad de la herramienta eléctrica se mantenga.
- **Nunca dé servicio a baterías dañadas.** Únicamente el fabricante o proveedores de servicio autorizados deben dar servicio a las baterías.

- **No utilice la herramienta sin las mordazas instaladas.** Los dedos podrían aplastarse.
- **La hoja está afilada. Mantenga las manos alejadas de los bordes de corte y de las piezas móviles.** Pueden ocurrir laceraciones y amputaciones.
- **Para reducir el riesgo de lesiones, utilice gafas o lentes de seguridad con protectores laterales.** Material puede agrietarse o romperse.
- **Para disminuir el riesgo de explosión, descarga eléctrica y daños materiales, no se use en líneas eléctricas energizadas. La herramienta no está aislada. El contacto con un circuito energizado podría ocasionar lesiones graves o la muerte.** Apague la alimentación eléctrica antes de hacer un corte. Nunca corte líneas de gas o agua.
- **Conserve las etiquetas y las placas nominales.** Contienen información importante. En ilegibles o faltantes, comuníquese con Southwire Tools & Assembled Products.

- **ADVERTENCIA** Algunos polvos generados por el lijado eléctrico, aserrado, pulido, taladrado y otras actividades de construcción contienen químicos identificados como causantes de cáncer, defectos congénitos u otros daños reproductivos. Algunos ejemplos de estos químicos son:
 - plomo de pintura basada en plomo
 - dióxido de silicio de los ladrillos y el cemento y otros productos de albañilería y
 - arsénico y cromo de madera con tratamiento químico.
 Su riesgo por estas exposiciones varía, dependiendo de la frecuencia con que realice este tipo de trabajo. Para reducir su exposición a estos químicos: trabaje en un área bien ventilada y trabaje con equipo de seguridad aprobado, como mascarillas protectoras contra polvo especialmente diseñadas para filtrar partículas microscópicas.

ESPECIFICACIONES

Cat No.	SCU6-B
Volts	18 cd
Tipo de batería	MILWAUKEE M18™
Tipo de cargador	MILWAUKEE M18™
Tipo de mordaza	Mordazas ACSR (Cat. No. STJ6-ACSR)
Capacidad máxima....	ACSR: 477 MCM Hen ACSR Cable tirante: 10 mm (3/8") no EHS Barra de refuerzo: 10 mm (3/8") Varilla de tierra: 10 mm (3/8")
Hojas de reemplazo.....	Cat. No. STJB-ACSR
Tipo de mordaza	Mordazas CU/AL (Cat. No. STJ6-CU/AL)
Capacidad máxima.....	Cable de cobre - 750 MCM Cable de aluminio - 1000 MCM *
Hojas de reemplazo.....	Cat. No. STJB-CU/AL
*Las mordazas CU/AL cortan cualquier cable de aluminio de un diámetro inferior a 31 mm (1,225")	


V Volts


--- Corriente directa

 Underwriters Laboratories, Inc.
Estados Unidos y Canadá

 **ADVERTENCIA** Para disminuir el riesgo de explosión, descarga eléctrica y daños materiales, no se use en líneas eléctricas energizadas. La herramienta no está aislada. El contacto con un circuito energizado podría ocasionar lesiones graves o la muerte. Apague la alimentación eléctrica antes de hacer un corte. Nunca corte líneas de gas o agua.

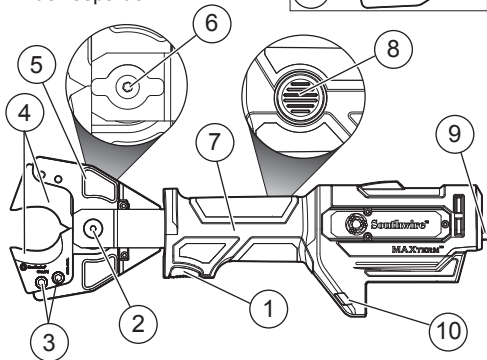
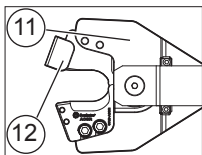
 **ADVERTENCIA** Mantenga las manos alejadas de todos los bordes de corte y de las piezas móviles. La hoja está afilada. Pueden ocurrir laceraciones y amputaciones.

 Para reducir el riesgo de lesiones, utilice gafas o lentes de seguridad con protectores laterales al operar o dar servicio a la herramienta.

 Lea el manual del operador.

DESCRIPCION FUNCIONAL

- | | |
|--|-----------------------|
| 1. Gatillo | 9. Colgador |
| 2. Tornillo de fijación de ajuste manual | 10. LED |
| 3. Tornillos de cabeza hueca (5 mm) | 11. Mordazas ACSR |
| 4. Hojas | 12. Retenedor de hoja |
| 5. Mordazas CU/AL | |
| 6. Pasador de retención | |
| 7. Empuñadura | |
| 8. Válvula de liberación de respaldo | |



ADVERTENCIA Recargue la batería sólo con el cargador especificado para ella. Para instrucciones específicas sobre cómo cargar, lea el manual del operador suministrado con su cargador y la batería.

Como se inserta/quita la batería en la herramienta

Para **retirar** la batería, presione los botones de liberación y jale de la batería para sacarla de la herramienta.

Para **introducir** la batería, deslícelas en el cuerpo de la herramienta. Asegúrese de que quede bien firme en su posición.

ADVERTENCIA Para reducir el riesgo de lesiones, extraiga siempre la batería antes de acoplar o desacoplar accesorios. Utilice únicamente accesorios específicamente recomendados para esta herramienta. El uso de accesorios no recomendados podría resultar peligroso.

Las hojas están afiladas. Mantenga las manos alejadas del borde de corte. Pueden ocurrir laceraciones.

Inserción/extracción de las mordazas cortadoras

Use únicamente mordazas cortadoras Southwire. No utilice con ningún otro tipo de mordazas. Otros tipos de mordazas pueden ocasionar daños a la herramienta.

1. Extraiga la batería.
 2. Quite el tornillo de fijación de ajuste manual (cuando se utiliza) de la parte posterior del pasador de retención.
 3. Empuje hacia dentro y luego gire el pasador de retención hacia la izquierda 90°. El pasador se botará.
 4. Inserte las mordazas cortadoras. Alinee el orificio central con el pasador de retención.
 5. Introduzca el pasador de retención y gírelo 90° hacia la derecha.
 6. Inserte y apriete a mano el tornillo de fijación de ajuste manual a 13 N·m.
- NOTA:** Utilice el tornillo de fijación de ajuste manual para evitar que el tornillo de fijación de ajuste no se afloje. Un tornillo de fijación de ajuste suelto puede dañar la herramienta.
7. Gire las mordazas al ángulo deseado.

PRECAUCIÓN Para evitar daños a la herramienta sin el pasador de retención totalmente insertado y bloqueado en su posición. Pueden presentarse daños al cilindro.

Cómo cambiar las hojas

Cambie las hojas cuando pierdan filo, pierdan punta, se desportillen o se dañen. Siempre reemplace las hojas en conjunto.

Use únicamente hojas y mordazas cortadoras Southwire. Consulte en las especificaciones los números de hoja de reemplazo.

1. Extraiga la batería.
2. Retire las mordazas de corte de la herramienta.

⚠️ ADVERTENCIA Las hojas están afiladas. Mantenga las manos alejadas del borde de corte. Pueden ocurrir laceraciones.

3. Afloje sin quitar los tornillos de cabeza hueca con una llave hexagonal de 5 mm.
4. Deslice cuidadosamente la hoja para sacarla de las mordazas, mantenga los dedos alejados del borde de corte.
5. Inserte la nueva hoja, manteniendo los dedos alejados del borde de corte.
6. Apriete firmemente los tornillos de cabeza hueca.
NOTA: Al apretar los tornillos de cabeza hueca pueden cerrarse las mordazas. Mantenga las manos y los dedos fuera de las mordazas y alejadas de los bordes de corte.
7. Repita el procedimiento con la otra hoja. Siempre cambie las hojas en conjunto.

OPERACION

⚠️ ADVERTENCIA Para disminuir el riesgo de explosión, descarga eléctrica y daños materiales, no se use en líneas eléctricas energizadas. La herramienta no está aislada. El contacto con un circuito energizado podría ocasionar lesiones graves o la muerte. Apague la alimentación eléctrica antes de hacer un corte. Nunca corte líneas de gas o agua.

La hoja está afilada. Mantenga las manos alejadas de los bordes de corte y de las piezas móviles. Evite cortar piezas de material de poca longitud que pongan las manos cerca de las hojas. Pueden ocurrir laceraciones y amputaciones.

Para reducir el riesgo de lesiones, extraiga siempre la batería antes de acoplar o desacoplar accesorios. Utilice únicamente accesorios específicamente recomendados para esta herramienta. El uso de accesorios no recomendados podría resultar peligroso.

Para reducir el riesgo de lesiones, use siempre lentes de seguridad o anteojos con protectores laterales.



Corte

Antes de cortar, asegúrese de que el pasador de retención esté correctamente asentado y que los tornillos de cabeza hueca de la hoja estén apretados.

1. Inserte la pieza de trabajo recta entre las hojas. No intente realizar cortes en ángulo, ya que hacerlo dañará la pieza de trabajo y las hojas.
2. Sostenga la herramienta firmemente y apoye la pieza de trabajo. Asegúrese de que la pieza de trabajo esté recta y centrada en las mordazas. Mantenga las manos alejadas de las hojas.
3. Oprima sin soltar el gatillo durante toda la operación. Al finalizar el corte, las hojas se separarán y la herramienta se apagará. Suelte el gatillo.
NOTA: La pieza de trabajo se moverá ligeramente durante el corte.
4. Dos focos LED se iluminarán al jalar el gatillo.

⚠️ ADVERTENCIA Para reducir el riesgo de lesiones, corte únicamente los materiales recomendados para las mordazas (vea "Especificaciones"). No intente cortar otros materiales.

Sugerencias de corte

- Corte más hacia el interior del extremo del material para evitar cortes chuecos.
- No intente realizar cortes en ángulo. Hacerlo dañará las hojas. Sostenga el material recto entre las hojas.
- Corte el material limpio para prolongar la vida de la hoja. Limpie la suciedad y los desechos del material y de las hojas antes de empezar el corte.
- No corte materiales ACSR con mordazas CU/AL. No corte materiales CU/AL con mordazas ACSR. Podría dañar las hojas, las mordazas y la herramienta.
- Al utilizar las mordazas ACSR, asegúrese de que el retenedor de la hoja esté instalado.

Válvula de liberación de respaldo

Si las mordazas necesitan abrirse sin finalizar el ciclo, presione sin soltar la válvula de liberación de respaldo. Sostenga la herramienta firmemente hasta que el cilindro se retraiga por completo.

Hojas atoradas

La suciedad y los desechos pueden causar que las hojas se atoren entre sí después de un corte. Si la herramienta se apaga y las hojas aún están cerradas:

1. Presione sin soltar la válvula de liberación de respaldo para asegurar que la herramienta se haya restablecido.
2. Extraiga la batería.
3. Quite las mordazas de la herramienta.
4. Use un martillo blando para dar golpes leves a la parte posterior de las mordazas para liberarlas.
5. Limpie cualquier suciedad y desechos de las hojas antes de iniciar otro corte.

MANTENIMIENTO

ADVERTENCIA Para reducir el riesgo de una lesión, desconecte siempre la herramienta antes de darle cualquier mantenimiento. Nunca desarme la herramienta ni trate de hacer modificaciones en el sistema eléctrico de la misma. Comuníquese con Southwire Tools & Assembled Products para CUALQUIER reparación.

Mantenimiento de las herramientas

Adopte un programa regular de mantenimiento y mantenga su herramienta en buenas condiciones. Inspeccione la herramienta para problemas como ruidos indebidos, desalineadas o agarradas de partes móviles, piezas rotas o cualquier otra condición que pueda afectar el funcionamiento de la herramienta. Regrese la herramienta, batería y cargador a Southwire Tools & Assembled Products para reparación. Después de 6 meses a un año, dependiendo del uso dado, regrese la herramienta, batería y cargador a Southwire Tools & Assembled Products para inspección.

Si la herramienta no arranca u opera a toda su potencia con una batería completamente cargada, limpie, con una goma o borrador, los contactos de la batería y de la herramienta. Si aun así la herramienta no trabaja correctamente, regrese la herramienta, batería y cargador a Southwire Tools & Assembled Products para reparaciones.

Mordazas y hojas

Inspeccione las mordazas para detectar fisuras o daños. No utilice mordazas dañadas. Cambie las hojas cuando pierdan filo, pierdan punta, se despartillen o se dañen.

Líquido hidráulico

Para ampliar la vida de la herramienta, regrese la herramienta a Southwire Tools & Assembled Products para reemplazar el fluido hidráulico después de 20,000 cortes o 2 años de uso.

ADVERTENCIA Para reducir el riesgo de una explosión, no quemar nunca una batería, aun si está dañada, "muerta" o completamente descargada.

Limpieza

Limpie el polvo y suciedad de las ventilas. Mantenga los mangos limpios, secos y libres de aceite o grasa. Use solo jabón neutro y un trapo húmedo para limpiar, ya que algunos substancias y solventes limpiadores son dañinos a los plásticos y partes aislantes. Algunos de estos agentes nocivos incluyen la gasolina, trementina, adelgazador de barniz, adelgazador de pintura, solventes de limpieza con cloro, amoníaco y detergentes caseros que contienen amoníaco. Nunca usa solventes inflamables o combustibles cerca de una herramienta.

Reparaciones

Para reparación., Regrese la herramienta, batería y cargador a Southwire Tools & Assembled Products.

ACCESORIOS

ADVERTENCIA Utilice sólo los accesorios específicamente recomendados. Otros accesorios puede ser peligroso.

Para una lista completa de accesorios, visite nuestro sitio en Internet: www.southwiretools.com.

SOPORTE DE SERVICIO

Para todas las preguntas relacionadas con la garantía, el servicio al cliente y las autorizaciones para devolución de productos, comuníquese con Southwire Tools & Assembled Products en:

Southwire Tools & Assembled Products
840 Old Bremen Road
Carrollton, GA 30117
Número de teléfono: 1.855.SW.Tools
www.southwiretools.com

GARANTÍA

Todas las herramientas eléctricas Southwire tienen una garantía para el comprador original y únicamente por defectos en materiales y mano de obra. Sujeto a ciertas excepciones, Southwire reparará o reemplazará cualquier parte de una herramienta eléctrica que, tras una revisión, Southwire determine que tiene defectos en material o mano de obra durante un período de cinco (5) años* después de la fecha de compra, a menos que se indique lo contrario.

Regrese la herramienta eléctrica a Southwire o a un centro de servicio de fábrica de Southwire; se requiere flete prepagado y asegurado. Debe incluirse una copia del comprobante de compra con el producto enviado. Esta garantía no aplica a daños que Southwire determine que son ocasionados por reparaciones o intentos de reparaciones realizados por una persona que no sea personal autorizado de Southwire, uso indebido, alteraciones, maltrato, desgaste normal, falta de mantenimiento o accidentes.

Todas las baterías y los cargadores de Milwaukee están cubiertos bajo garantías independientes y distintas disponibles para esos artículos. Para más información, visite www.milwaukeeetool.com/service/milwaukee-warranty/cordless-battery-pack.

No es necesario el registro de la garantía para obtener la garantía correspondiente para un producto de herramienta eléctrica Southwire. La fecha de manufactura del producto se utilizará para determinar el período de garantía si no se proporciona comprobante de compra al solicitar el servicio en garantía.

LOS REMEDIOS ESTABLECIDOS ANTERIORMENTE SON SUS REMEDIOS EXCLUSIVOS EN RELACIÓN CON LA HERRAMIENTA ELÉCTRICA SOUTHWIRE CON GARANTÍA. SOUTHWIRE NO SERÁ RESPONSABLE EN NINGÚN CASO DE DAÑOS INCIDENTALES, ESPECIALES, EMERGENTES NI DE GASTOS, PÉRDIDAS O DEMORAS ALEGADAS COMO CONSECUENCIA DE ALGÚN DAÑO, FALLA O DEFECTO EN NINGÚN PRODUCTO, INCLUYENDO, ENTRE OTROS, CUALQUIER RECLAMACIÓN POR PÉRDIDA DE UTILIDADES. ALGUNOS ESTADOS NO PERMITEN LA EXCLUSIÓN O LIMITACIÓN DE RESPONSABILIDAD POR DAÑOS INCIDENTALES O EMERGENTES; POR LO TANTO, LA ANTERIOR LIMITACIÓN O EXCLUSIÓN PODRÍA NO APLICARSE EN SU CASO. ESTA GARANTÍA ES EXCLUSIVA Y REEMPLAZA TODAS LAS DEMÁS GARANTÍAS EXPRESAS, YA SEAN ESCRITAS U ORALES. EN LA MEDIDA EN QUE LO PERMITA LA LEY, SOUTHWIRE DESCONOCE TODAS LAS GARANTÍAS IMPLÍCITAS, INCLUYENDO SIN LIMITACIÓN LAS GARANTÍAS IMPLÍCITAS DE COMERCIABILIDAD O IDONEIDAD PARA UN FIN O USO ESPECÍFICO; EN LA MEDIDA EN QUE DICHO DESCONOCIMIENTO NO SEA PERMITIDO POR LA LEY, DICHAS GARANTÍAS IMPLÍCITAS SE LIMITAN A LA DURACIÓN DE LA GARANTÍA EXPRESA CORRESPONDIENTE SEGÚN SE DESCRIBIÓ ANTERIORMENTE. ALGUNOS ESTADOS NO PERMITEN LIMITACIONES SOBRE LA DURACIÓN DE UNA GARANTÍA IMPLÍCITA. POR LO QUE LA LIMITACIÓN ANTERIOR PUEDE NO APLICARSE A USTED. ESTA GARANTÍA LE OTORGA DERECHOS LEGALES ESPECÍFICOS Y ES POSIBLE QUE USTED TENGA OTROS DERECHOS QUE VARIAN DE ESTADO A ESTADO.

Modelo: _____

Fecha de compra: _____

Distribuidor : _____

Southwire Tools
840 Old Bremen Road
Carrollton, GA 30117

58140062d1
03/16

961011977-01(A)
Printed in China