



Southwire™

TOOLS & EQUIPMENT

MAXIS® XD1 EXTREME DUTY CIRCUIT PULLER

SAFER, FASTER AND MORE EFFICIENT WAY TO PULL LOW VOLTAGE, BRANCH HOME RUNS, LIGHTING CABLES, AND SMALL CIRCUIT SIZED WIRES

The Maxis® XD1 Extreme Duty Circuit Puller is the latest in the line of high speed lightweight cable pullers from Southwire's Cable Pulling Equipment. Southwire's heritage of innovation continues from the original Pull-It 1000™ Circuit Puller to the latest Maxis® XD1 Circuit Puller offering both strength under load and speed to get the job done on time. This patent pending design can reduce installer fatigue by eliminating the need to pull wire or rope by hand.

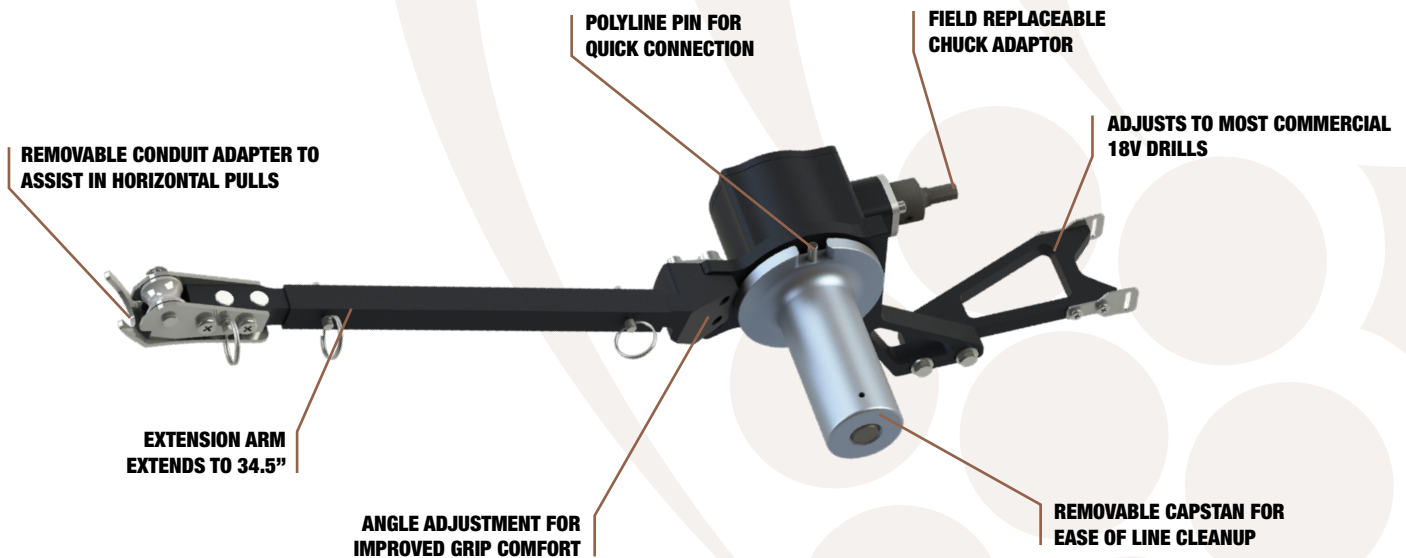
ACCEPTS MOST COMMERCIAL 18V DRILLS

LIGHTWEIGHT AND PORTABLE

ONE PERSON SETUP AND OPERATION

ANODIZED FOR CORROSION RESISTANCE

CONTINUOUS PULLING UP TO 600 LBS.



**As compared to pulling by hand.*

**BUILT FOR DURABILITY.
BUILT FOR RELIABILITY.
BUILT FOR WORK.™**

1-855-798-6657 | SOUTHWIRETOOLS.COM

©2018 Southwire Company, LLC. All rights reserved.
*Registered Trademark & ™Trademark of Southwire Company, LLC.

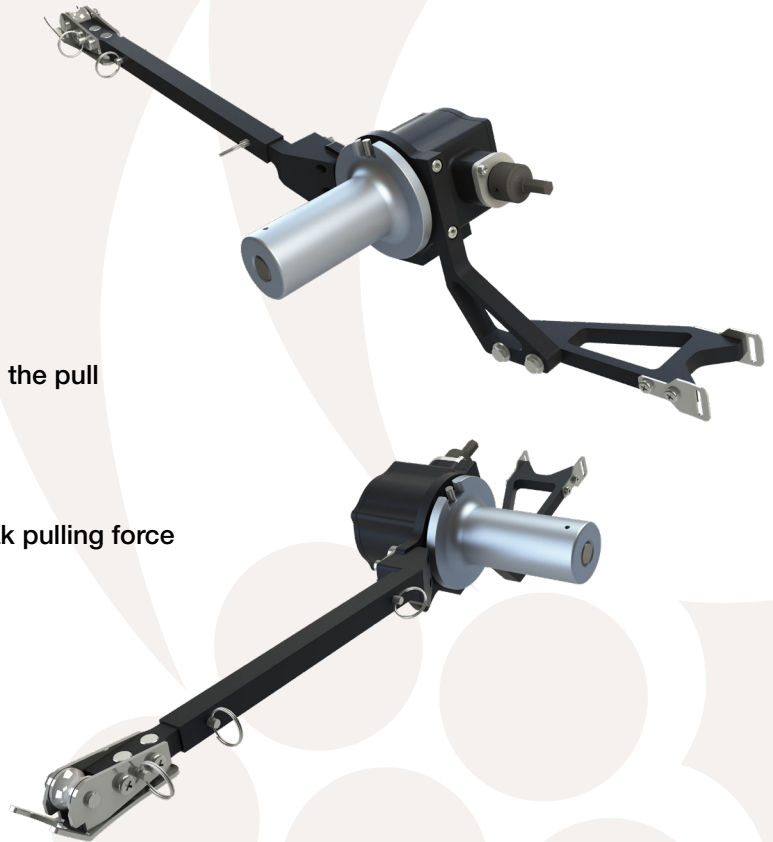


MAXIS® XD1 EXTREME DUTY CIRCUIT PULLER

SAFER, FASTER AND MORE EFFICIENT WAY TO PULL LOW VOLTAGE, BRANCH HOME RUNS, LIGHTING CABLES, AND SMALL CIRCUIT SIZED WIRES

FEATURES & BENEFITS

- Lightweight and portable
- One person setup and operation
- Accepts most commercial 18V cordless drills
- Removable capstan to facilitate polyline removal
- Expandable length up to 34.5 inches
- Polyline pin on capstan to prevent slippage during the pull
- Anodized for corrosion resistance
- Field replaceable chuck adapter
- 600 lbs of constant pulling force with 1000 lbs peak pulling force
- Expandable with 1" rigid conduit
- Threaded receiver for 3/4" monopole support



MODEL #	STOCK #	UPC #	DESCRIPTION	HEIGHT	WIDTH	DEPTH	WEIGHT
XD1	65090901	032886707469	Maxis® XD1 Extreme Duty Circuit Puller	8.75"	8"	28.5"	8lbs

**As compared to pulling by hand.*

**BUILT FOR DURABILITY.
BUILT FOR RELIABILITY.
BUILT FOR WORK.™**

1-855-798-6657 | SOUTHWIRETOOLS.COM

©2018 Southwire Company, LLC. All rights reserved.
*Registered Trademark & ™Trademark of Southwire Company, LLC.