



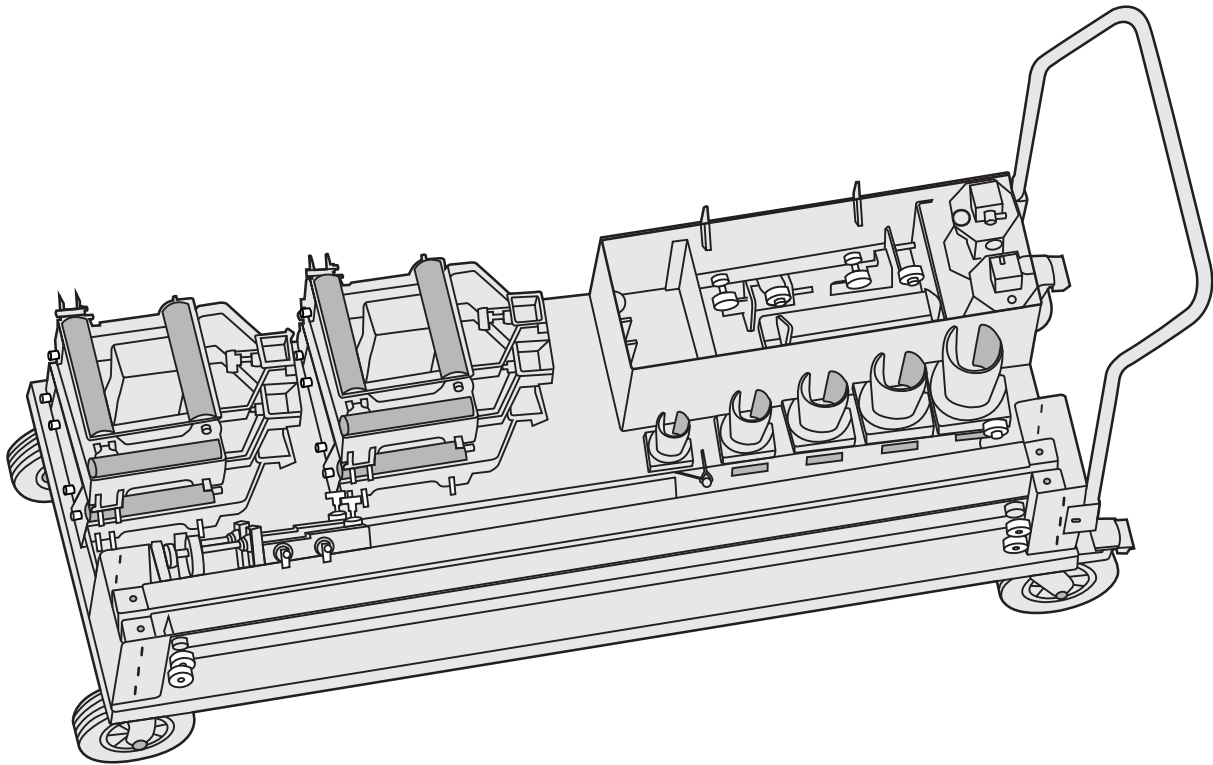
**Southwire™**

---

TOOLS & EQUIPMENT

Operating Instructions

**SIMpull™**  
**CABLE GUIDE SYSTEM (CGS-01)**



*Read and understand all of the instructions and safety information  
in this manual before operating or servicing this tool.*

**FAILURE TO OBSERVE THESE WARNINGS CAN RESULT IN SEVERE INJURY OR DEATH.**



**BEFORE OPERATING, READ AND UNDERSTAND ALL OF THE INSTRUCTIONS AND SAFETY INFORMATION IN THIS MANUAL**



**TABLE OF CONTENTS**

Description.....1  
 Safety .....1-2  
 Purpose of this Manual.....2  
 Important Safety Information.....3  
 Identification.....3  
 Set-up and Operation.....4-9  
 Maintenance.....10  
 Specifications.....10  
 FAQ.....10  
 Warranty.....11

**DESCRIPTION**

---

The CGS is designed to eliminate the need for manual handling of feeder sized electrical power cables. The SIMpull™ Cable Guide System will safely direct and guide conductors into conduit in switchboards, subpanels, vaults, and many other type of enclosures. When used properly, it will reduce labor to just one person on the feeding side and help eliminate injury and fatigue to the electrician.

**SAFETY**

---

Safety is essential in the use and maintenance of Southwire Contractor Tools and Equipment. This instruction manual and any markings on the tool provide information for avoiding hazards and unsafe practices related to the use of this tool. Observe all of the safety information provided.

**FAILURE TO OBSERVE THESE WARNINGS CAN RESULT IN SEVERE INJURY OR DEATH**

# SAFETY ALERT SYMBOLS



## SAFETY ALERT SYMBOLS

These symbols are used to call attention to related hazards or unsafe practices related that could result in injury or property damage. The three safety words defined below indicate the severity of the hazard. The message after the signal word provides information for preventing or avoiding the hazard.

### **⚠ DANGER**

Immediate hazards which, if not avoided, **WILL** result in severe injury or death.

### **⚠ WARNING**

Hazards which, if not avoided, **COULD** result in severe injury or death.

### **⚠ CAUTION**

Hazards or unsafe practices which, if not avoided, **MAY** result in injury or property damage.



### **⚠ WARNING**

Read and understand all of the instructions and safety information in this manual before operating or servicing this tool.

Failure to observe this warning could result in severe injury or death.

### **⚠ WARNING**

Personal safety hazards



- Only qualified persons should use SIMpull™ Cable Guide System
- Wear eye protection when using this tool.
- Do not use tool while tired or under the influence of drugs, alcohol, or medication.
- Keep body parts and loose clothing away from moving parts.
- Always wear gloves when handling SIMpull™ Cable Guide System parts.
- Keep all body parts clear of cable path while the SIMpull™ Cable Guide System is in use.
- When using this tool, always follow the safety procedures set forth in this manual as well as all other safety procedures necessary and proper when using tools of this type.

## **⚠ WARNING:** Personal Safety Hazards.

- Use this tool for manufacturer's intended purpose only. Any use other than described in this manual can result in injury or property damage.
- Only qualified persons should use the **SIMpull™ Cable Guide System**.

## **PURPOSE OF THIS MANUAL**

This instruction manual is intended to familiarize personnel with the safe operation and maintenance procedures for the **SIMpull™ Cable Guide System**. Keep this manual available to all personnel.

Replacement manuals are available upon request at no charge at [www.southwiretools.com](http://www.southwiretools.com)


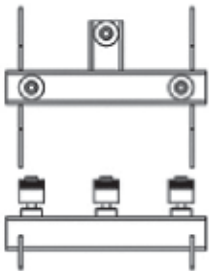
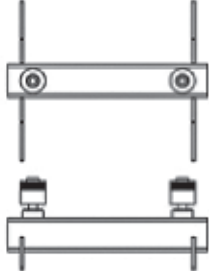
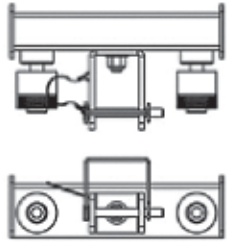
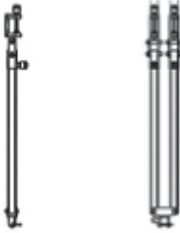
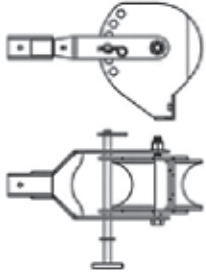
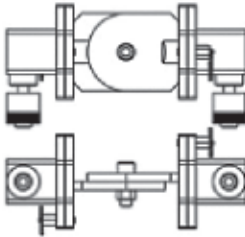
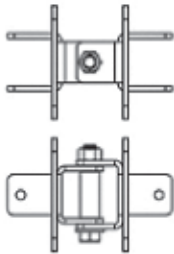
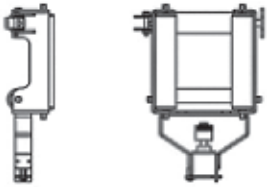
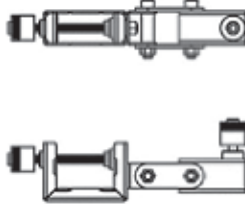
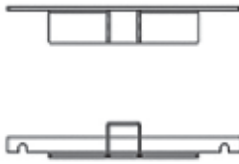
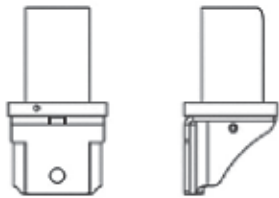
**FAILURE TO OBSERVE THESE WARNINGS CAN RESULT IN SEVERE INJURY OR DEATH**

## IMPORTANT SAFETY INFORMATION

**⚠️ WARNING:** *Potential Electrical Shock Hazard:* The CGS is not a power tool but is made entirely of conductive steel tubing, tubing connectors and roller guide components. Use caution when working around energized electrical equipment. Never use inside of electrical equipment that is energized.

## IDENTIFY PARTS/COMPONENTS

- Extension tubes (Model # CGS-10)
- Tube Extender w/ 90 Degree Joint (Model # CGS-12)
- Straight Tube Extender Joint (Model # CGS-13)
- Panel Box Mount Bracket (Model # CGS-20)
- Reel Adaptor Assembly (Model # CGS-30)
- Down Feed Roller Assembly (Model # CGS-40)
- Universal Joint Assembly (Model # CGS-50)
- Universal Angle Adaptor (Model # CGS-63)
- Roller Guides (Model # CGS-73)
- Up Feed "C" Clamp Assembly (Model # CGS-75)
- Feeder Mount Bracket (Model # CGS-85)
- Conduit Adaptors (Model # P6-208-55A-E)

 <p>MODEL-CGS-10 STOCK: 59894101</p>	 <p>MODEL-CGS-12 STOCK: 59893801</p>	 <p>MODEL-CGS-13 STOCK: 59893901</p>	 <p>MODEL-CGS-20 STOCK: 59894301</p>
 <p>MODEL-CGS-30 STOCK: 59893701</p>	 <p>MODEL-CGS-40 STOCK: 59893201</p>	 <p>MODEL-CGS-50 STOCK: 59893401</p>	 <p>MODEL-CGS-63 STOCK: 59893501</p>
 <p>MODEL-CGS-73 STOCK: 59894001</p>	 <p>MODEL-CGS-75 STOCK: 59893601</p>	 <p>MODEL-CGS-85 STOCK: 59894201</p>	 <p>MODEL: P620855AE STOCK: 56833401</p>

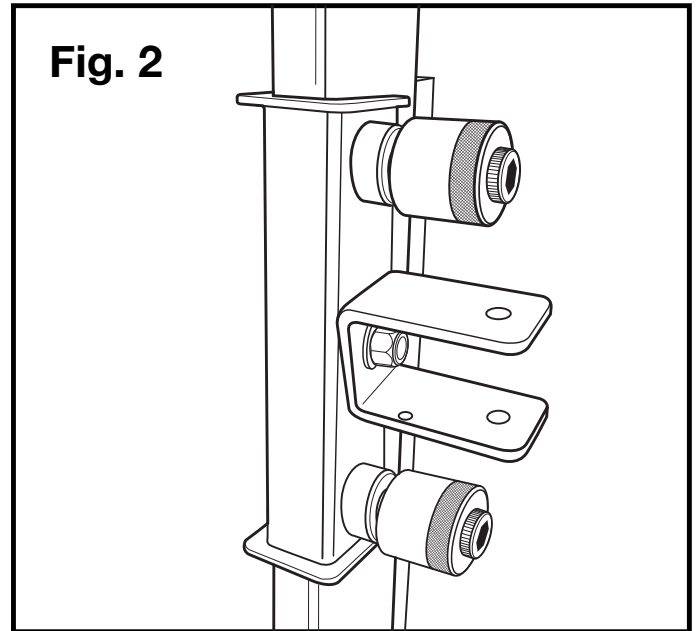
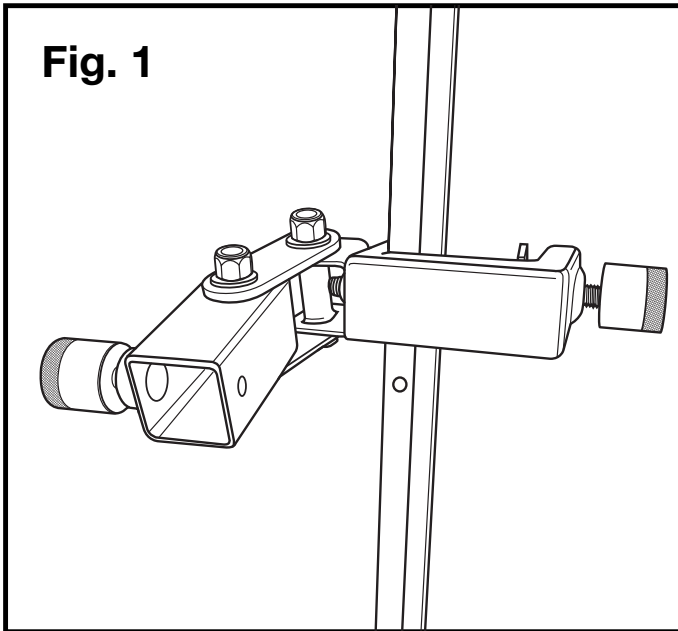
## SET UP AND OPERATION

The following is a guide that if followed should result in an efficient and easy set up. Some jobsite conditions or obstructions may require a slightly different sequence.

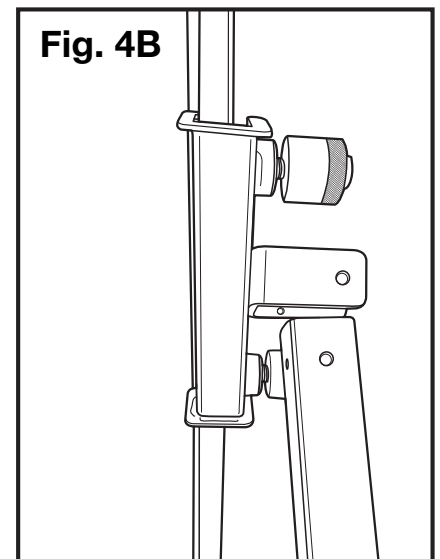
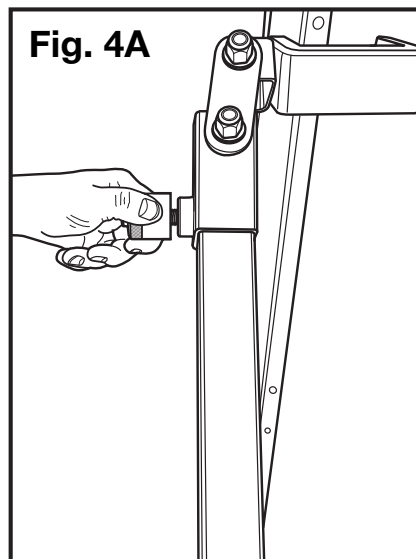
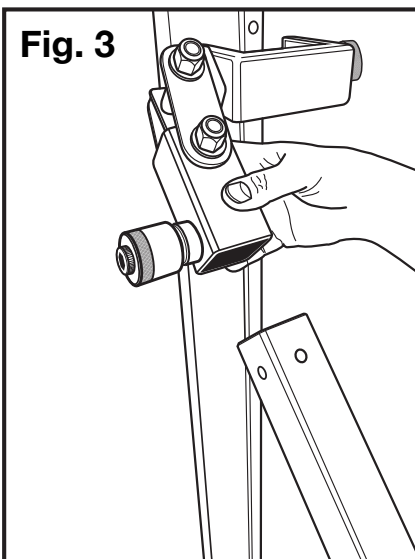
1. Select the correct adapter for type of feed.

### UP FEED

2A. For an up feed into a conduit, select either the “C” Clamp (**Fig. 1**) or Panel Can Adaptor (**Fig. 2**) and secure to a fixed point near the conduit. Secure to side of panel can and tighten adjustment knob in the desired position.



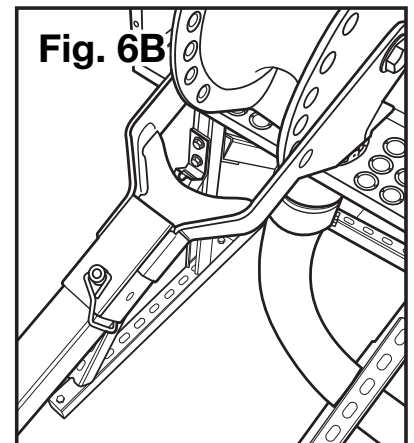
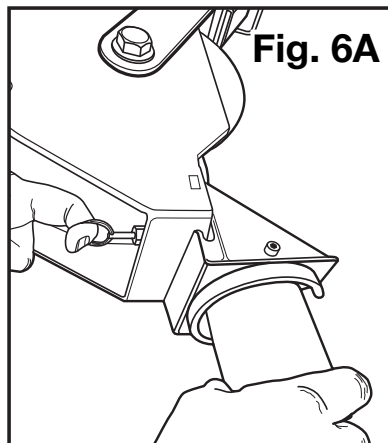
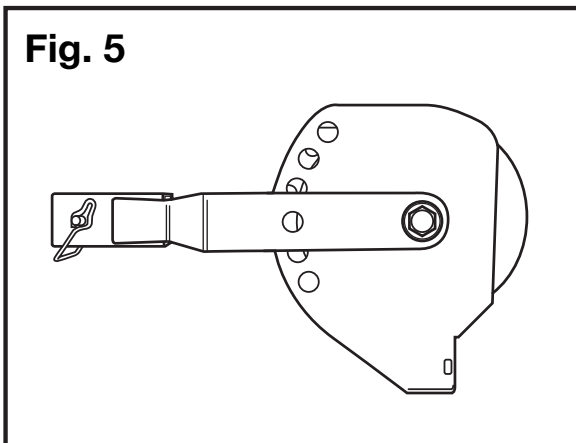
2B. Working your way back from the conduit, select a piece of tubing (**Fig. 3**) and insert end into the “C” Clamp and turn locking knob clockwise until tight (**Fig 4A**). For Panel Can Adaptor, align holes in tubing with bracket on adaptor and install supplied pin (**Fig. 4B**)



## SET UP AND OPERATION *cont.*

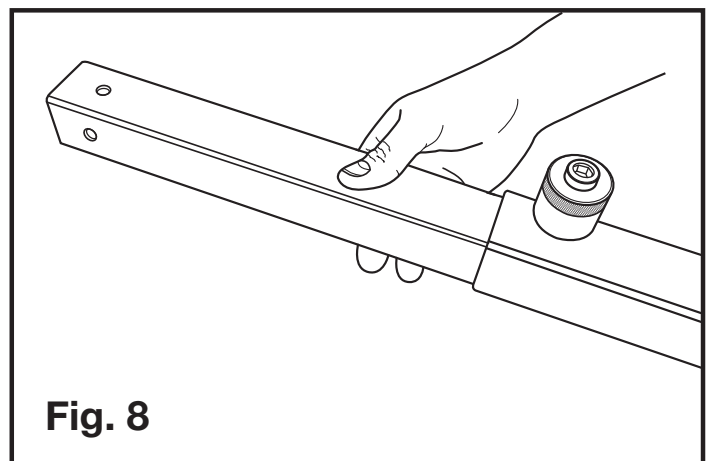
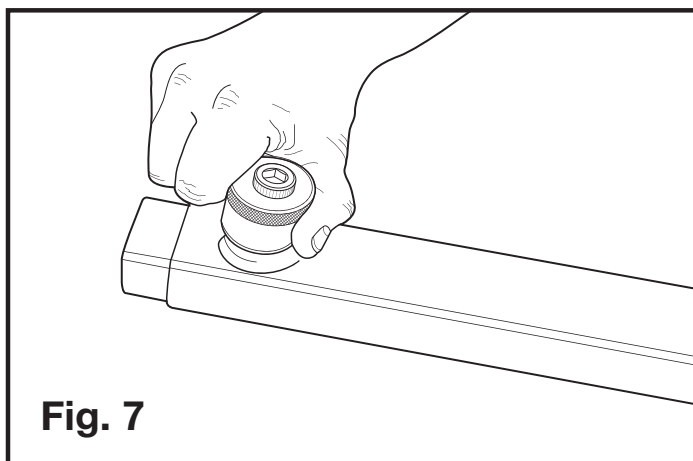
### DOWN FEED

- 3A. Select the down feed roller assembly (**Fig. 5**) and appropriate size of conduit adaptor. Secure the conduit adaptor into the roller assembly by pulling pin and sliding adaptor into place (**Fig. 6A**). Release pin to ensure conduit adaptor is in place. Slide down feed roller assembly into conduit and insert section of locking pin (**Fig. 6B**).



### ASSEMBLY

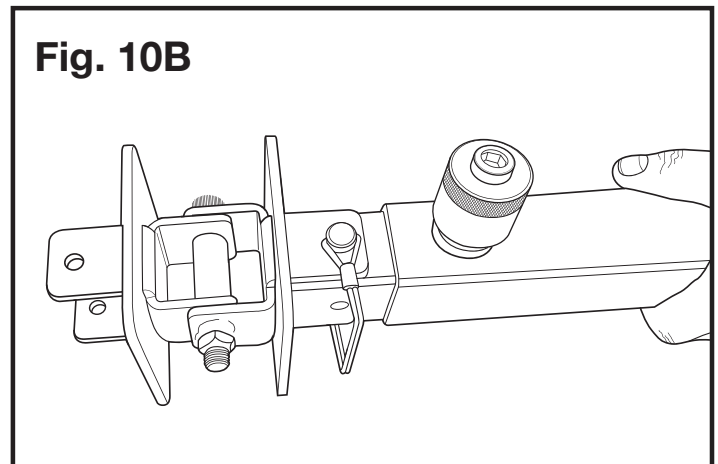
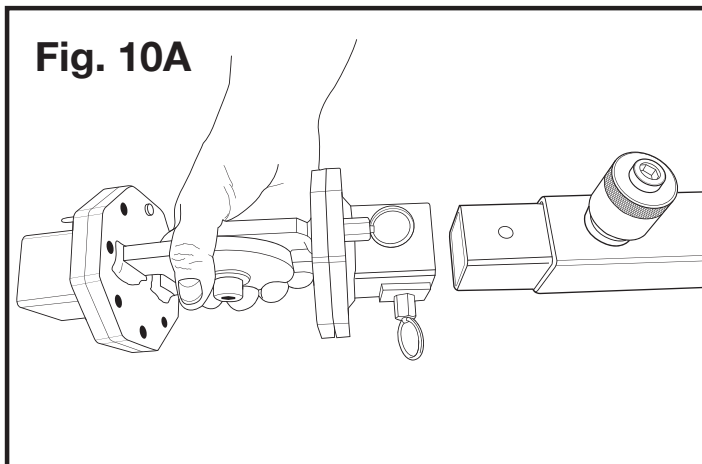
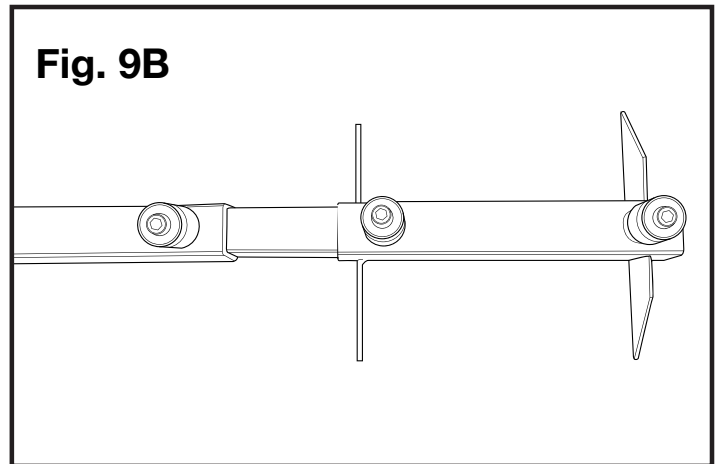
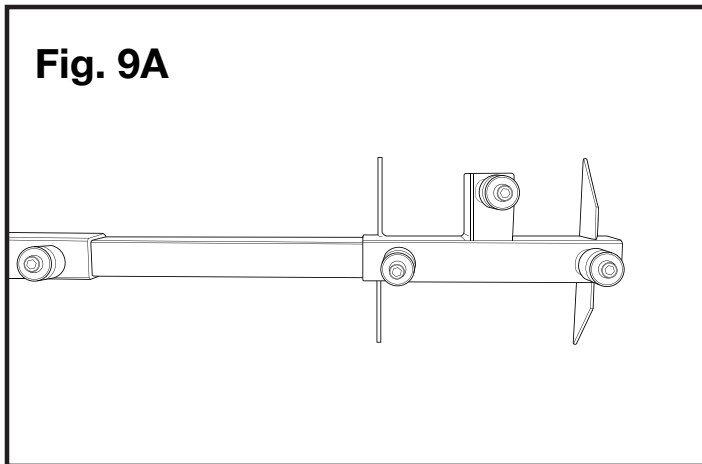
4. Lengthening of tube sections can be made by loosening the main tube locking knob by turning counter-clockwise (**Fig. 7**) and sliding out the inner square tube section outward (**Fig. 8**). Make sure to retighten by turning main locking knob clockwise once desired length is obtained.



## SET UP AND OPERATION *cont.*

### ASSEMBLY *cont.*

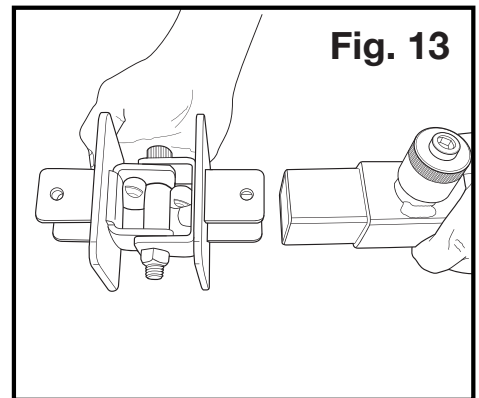
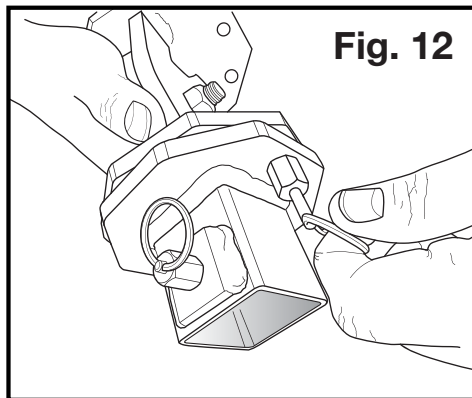
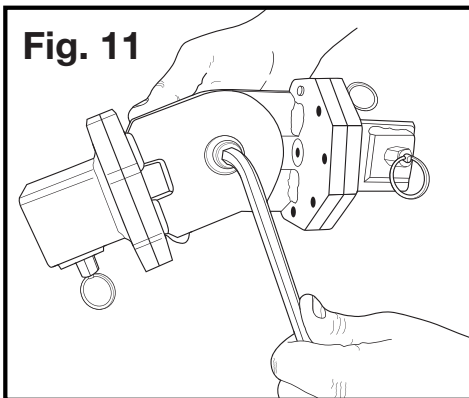
5. Attach each section using either the tube extender joints (**Fig. 9A and Fig. 9B**) or a Universal Joint Assembly (**Fig. 10A and Fig. B**). Connectors are secured with pull pins and tube extenders are secured by tightening the knobs attached. There should be a joint or tube extender between each section of tubing. Once desired length is achieved you can begin assembly.



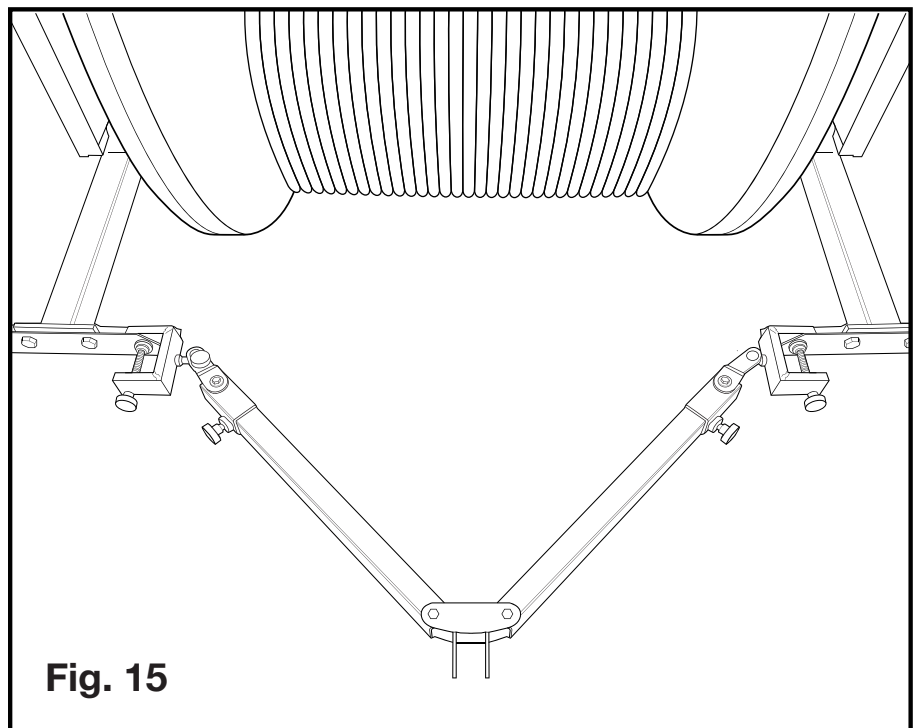
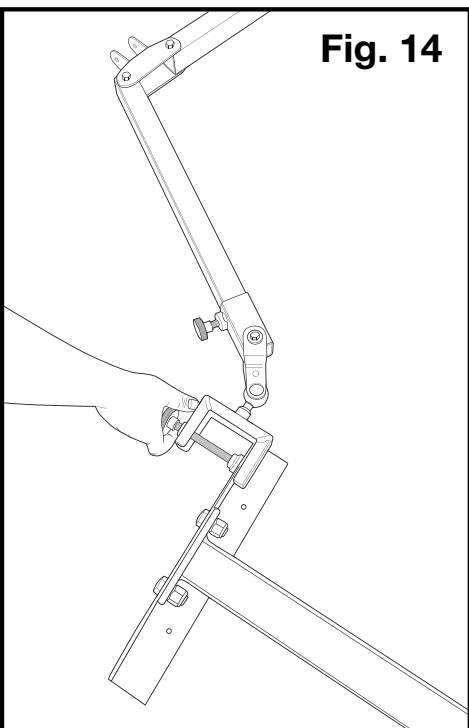
## SET UP AND OPERATION *cont.*

### ASSEMBLY *cont.*

6. While working your way back from the conduit, adjustments may be required along the way to accommodate for bends and turns along desired path. You can now set the angle of the locking universal joint assembly by turning center 3/8" Allen bolt counter-clockwise (**Fig. 11**) and adjusting joint to desired angle. Once angle is obtained retighten knob by turning 3/8" Allen bolt clockwise. Further angle adjustments can be made by pulling pins on the outside of the locking universal joint assembly (**Fig. 12**) and rotate to desired angle. Begin attachment of the tube sections and lock them in place. Universal angle adaptor can also be used in place of the universal joint assembly (**Fig. 13**).



7. Lastly, secure the distal end of the reel adaptor assembly to the anchor point at the cable reel (**Fig. 14**). This can be done by turning the knobs on the "C" clamps clockwise and securing to any anchor point on the jack stands (**Fig. 15**) or to the flange on the **SIMpull™ Reel**.

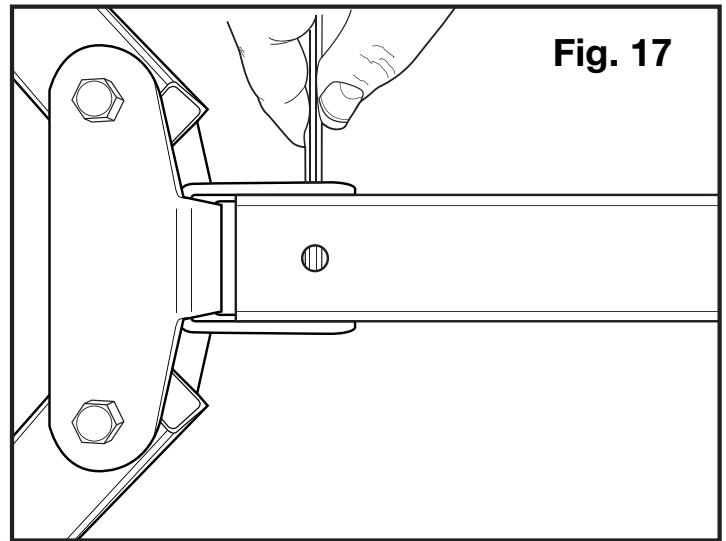
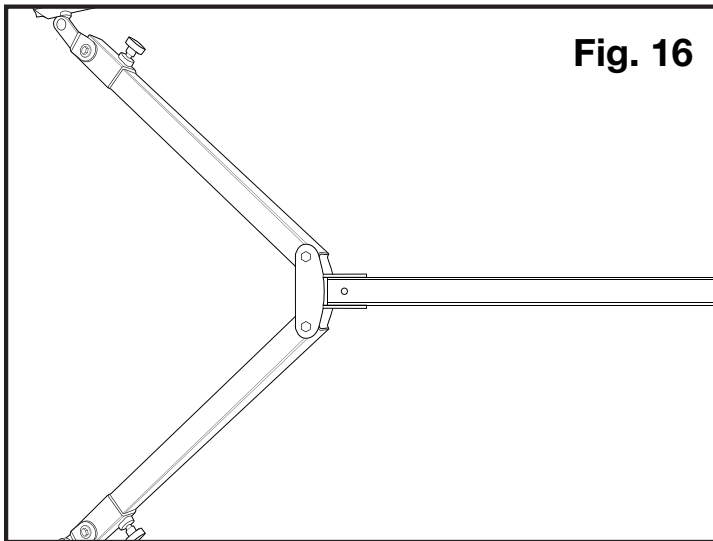




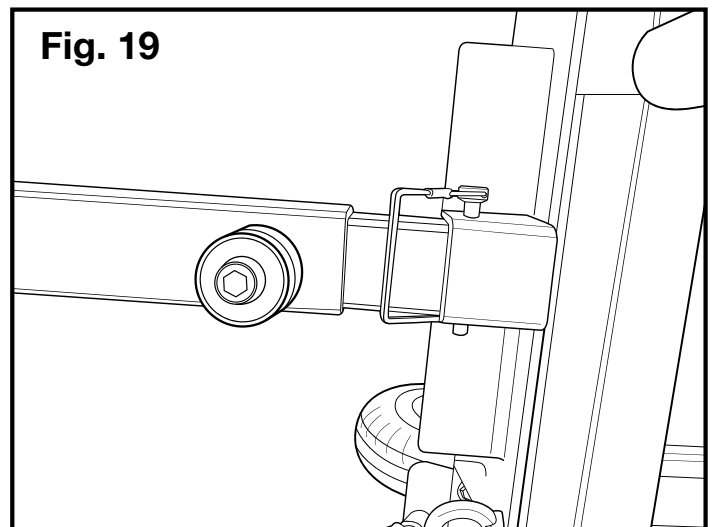
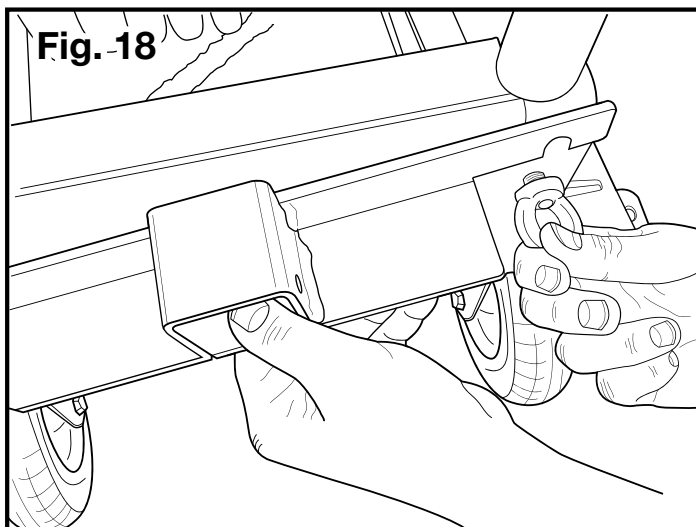
## SET UP AND OPERATION *cont.*

### ASSEMBLY *cont.*

8. Lastly secure the last tubing section to the reel adaptor assembly by aligning extension tube (**Fig. 16**) and inserting supplied pin (**Fig. 17**).



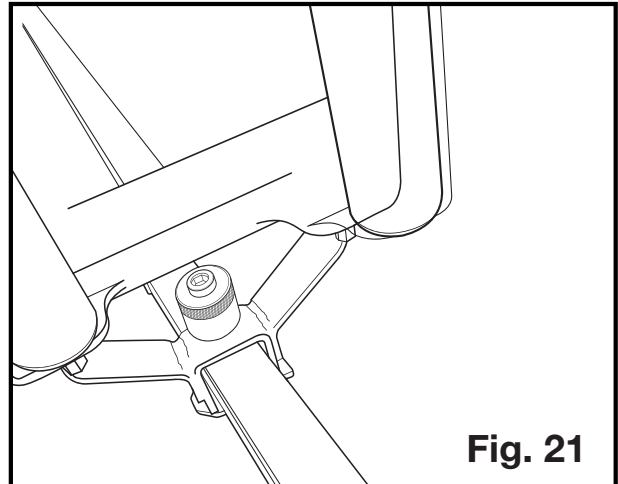
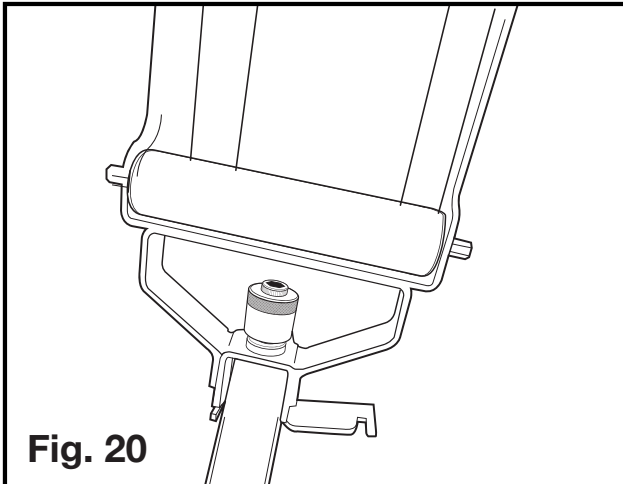
9. If mounting to the **Maxis® Feeder**, loosen two eye bolts from main frame assembly on the side opposite of the feeder handle and slide feeder bracket assembly over the top of the eye bolts and retighten the eyebolts (**Fig. 18**). Connect end of tubing assembly to receiver on feeder bracket assembly and secure in place with supplied pin (**Fig. 19**).



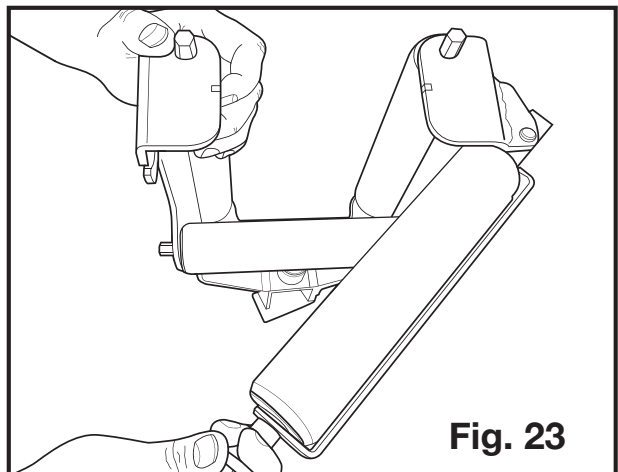
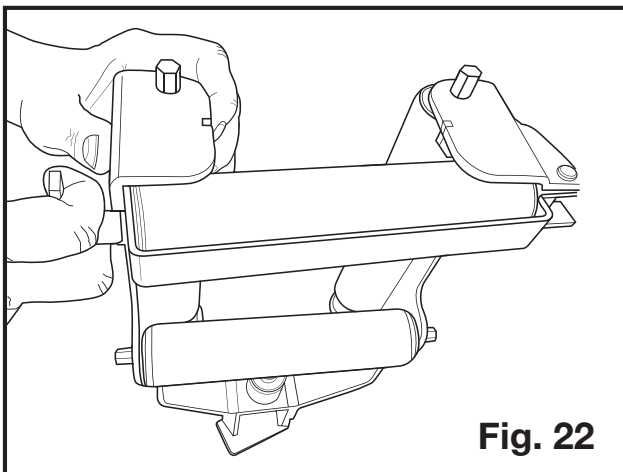
## SET UP AND OPERATION *cont.*

### ASSEMBLY *cont.*

- Place the roller guides at 4 to 5 foot spacing or two guides per section. Adjust spacing as required. The size/number of wires, degree of change in direction and elevation will dictate placement and the actual number of guides needed. Once located, swing bottom metal tab 180 degrees out from its locked position and place on tubing (**Fig. 20**). Once roller is placed on the tube swing bottom lock tab back 180 degrees and tighten by turning locking knob clockwise to secure in place (**Fig. 21**).



- Once everything is connected together and locked, the system will be sufficiently stable to support the weight of the roller guides and wire.
- Feed the rope through the roller guides back towards the reel, attach the wire and begin the pull. Always have one person at the reel end to observe the wire to ensure that there are no issues as it makes its way through the guides and into the conduit. Make any adjustments to guide spacing or desired angle at this time. After the pull is complete, open the roller guides by pulling the locking pin on top roller (**Fig. 22**) and lift the top roller away from connection point (**Fig. 23**) to remove the wire.



## **MAINTENANCE**

---

As with any tool the cleaner it is kept and maintained the better it will perform. Wipe down all parts after use to ensure optimal performance. Ensure lubrication of all moving is maintained to ensure smooth operation.

## **SPECIFICATIONS**

---

- Model # CGS-01
- Stock # 59893101
- **SIMpull™ Cable Guide System**
- Length- 67"
- Width- 25"
- Height- 43"
- Weight- 300 lbs
- Patent Pending

## **FAQ**

---

**Q:** Can I use the **SIMpull™ Cable Guide System** on the pulling side of a wire installation?

**A:** No, the tubing and all components are not engineered to withstand the tension on the puller side of a pull. It is designed only for feeding, directing, routing of wire into a conduit.

# WARRANTY ON SOUTHWIRE CONTRACTOR EQUIPMENT

---

## What Does This Warranty Cover?

### **Five-Year Limited Warranty on Contractor Equipment**

Under Southwire's Contractor Equipment 5-Year Limited Warranty, Southwire Company, LLC warrants that all Southwire Contractor Equipment will be free from manufacturer defects for a period of five (5) years from the date of the original end user's purchase. The following products are excluded from this 5-Year Limited Warranty and are subject to separate warranty terms: rope, blades, dies, draw studs, grips, Southwire Contractor Equipment electronic components, and Material Boxes. Under this 5-Year Limited Warranty, the following are also excluded and Southwire Company, LLC will have no liability for any of the following: normal wear and tear resulting from product use and damage arising out of misuse, abuse, modification, and improper product maintenance. This warranty also does not cover Southwire Contractor Equipment products that have been modified by any party other than Southwire Company, LLC or its authorized third party designee. This 5-Year Limited Warranty is not transferrable to or enforceable by any person other than the product's original end user.

### **One-Year Limited Warranty on Rope, Blades, Dies, Draw Studs, Grips, and Southwire Contractor Equipment Electronic Components**

Under this 1-Year Limited Warranty, Southwire Company, LLC warrants that all Southwire Ropes, Blades, Dies, Draw Studs, Grips, and Southwire Contractor Equipment Electronic Components will be free from manufacturer defects for a period of one-year from the date of the original end user's purchase. Under this 1-Year Limited Warranty for the aforementioned Southwire Contractor Equipment items, the following are excluded and Southwire Company, LLC will have no liability for any of the following: normal wear and tear resulting from product use and damage arising out of misuse, abuse, modification, and improper product maintenance. This warranty also does not cover Southwire Contractor Equipment that has been modified by any party other than Southwire Company, LLC or its authorized third party designee. This 1-Year Limited Warranty is not transferrable to or enforceable by any person other than the product's original end user.

### **Exclusion of Incidental, Consequential, Indirect, Special and Punitive Damages**

**SOUTHWIRE MAKES NO WARRANTY THAT SOUTHWIRE CONTRACTOR EQUIPMENT PRODUCTS WILL BE MERCHANTABILITY OR FIT FOR ANY PARTICULAR PURPOSE. SOUTHWIRE MAKES NO OTHER WARRANTY, EXPRESSED OR IMPLIED, OTHER THAN THE RELEVANT WARRANTY SPECIFICALLY SET FORTH IN THIS WARRANTY SECTION. SOUTHWIRE WILL NOT BE LIABLE FOR ANY INCIDENTAL, CONSEQUENTIAL, INDIRECT, SPECIAL, OR PUNITIVE DAMAGES FOR ANY BREACH OF THIS LIMITED LIFETIME WARRANTY.**

*Some states do not allow the exclusion or limitation of incidental or consequential damages, so the above limitation or exclusion may not apply to you.*

## Warranty Claim Information / How Do You Get Service?

---

For all warranty, customer service, and product return authorizations and inquiries, please contact Southwire's Tools & Assembled Products at:

### **Southwire Tools & Assembled Products**

840 Old Bremen

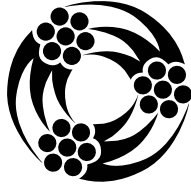
Carrollton, GA, 30117

**Phone Number: 1.855.SW.Tools**

1. All warranty claims must be approved by Southwire's Tools & Assembled Products Warranty Department prior to return of product. If Southwire determines that a product is defective, Southwire will, at its option, repair or replace defective products or defective product components, free of charge.
2. Upon approval, Southwire will issue a Product Return Authorization Form which will include instructions on how and where to return the product. **The product serial number and the original date of delivery must be set forth on the Product Return Authorization Form.**
3. Southwire will cover standard freight charges (FedEx Ground rate) incurred in connection with products that Southwire ultimately determines to be defective.
4. All defective components and defective products that Southwire replaces under these Warranties will become Southwire's property and will be retained by Southwire.

### **Fixing Your Product When it is Out of Warranty**

Southwire is happy to provide information about where a purchaser can send a product for repair at consumers' own expense, please contact **1.855.SW.tools** or visit **[www.southwiretools.com/tools/home.do](http://www.southwiretools.com/tools/home.do)** for more information about servicing for Southwire Products.



# Southwire™

---

## TOOLS & EQUIPMENT

***southwiretools.com***



**1-855-SW-TOOLS**  
Toll Free Technical Help

Contents Made in USA

Product distributed by Southwire Company, LLC  
One Southwire Drive, Carrollton, GA 30119

©2016 Southwire Company, LLC. All rights reserved.

03/16  
CGS-01 Manual



*We've got it*  
**MADE IN AMERICA™**