

LT58G Ceiling & Layout Laser User Guide



www.spectralasers.com



Introduction

Thank you for choosing the Spectra Precision LT58G from the Trimble family of Laser Tools. This easy-to-use laser tool with (3) x 360° laser planes will allow you to accurately align horizontal and vertical projects. Before using the LT58G, read this operator's manual carefully. Included is information about operation, safety and maintenance. Ensure that the operating instructions are with the laser tool when it is given to other persons.

Your comments and suggestions are welcome; please contact us at:

Trimble / Precision Tools
5475 Kellenburger Road
Dayton, Ohio 45424 USA
Phone: +1 (937) 203-4419
+1 (800) 527-3771
Website: www.spectralasers.com

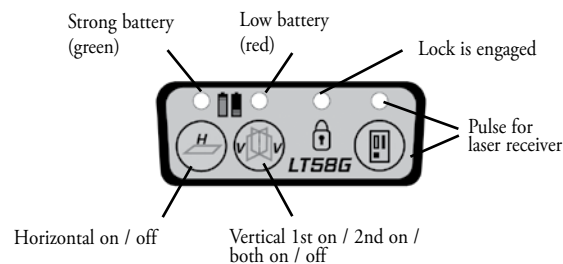
Features

Included with the LT58G: Unit, multi-functional accessory, spacer, target, charger, user guide and case.



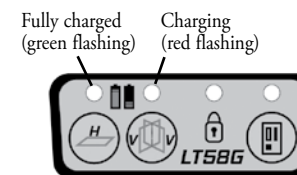
- 2 -

General Operation Power ON/OFF



Battery

The LT58G is powered by lithium ion batteries. The batteries are charged with the included charger. The lithium ion battery has a 2 - 3 year life and is replaceable. The LT58G can also run on AC power if the batteries are not charged.



Visibility

The visibility of the laser lines on the floor will improve significantly if the LT58G is raised above the floor 150 - 500 mm (6 - 18 inches)

- 3 -

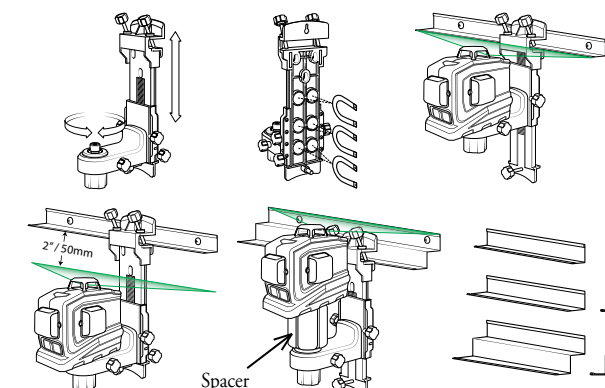
Compensator Lock



Note - The LT58G should be locked during transport

Note - The LT58G must be unlocked to enable the pulse receiver mode

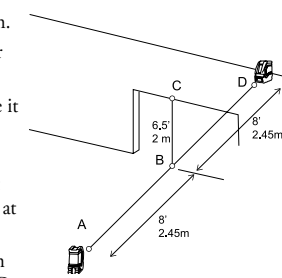
Mounting Bracket - includes these functions.



- 4 -

Vertical Calibration Check

- Find a door jamb about 2m / 6.5' high.
- Mark point A at 2.45m / 8' from door jamb
- Turn on LT58G vertical line and place it at point A toward the door jamb.
- Use the vertical line to mark point B under the door jamb, mark point C at the top of the door jamb and point D at 2.45m / 8' beyond the door jamb.
- Move the LT58G to point D and align the vertical line with points A, B and D.
- Mark the point where the vertical line is on top of the door jamb near point C.
- If the line is within 1mm / 1/32", the vertical line is in tolerance.



- 8 -

Service Request

To locate your local dealer or authorized Trimble Service Center outside the U.S.A. for service, accessories, or spare parts, please visit our websites: www.trimble.com and www.spectralasers.com.

Declarations

We declare, on our sole responsibility, that this product complies with the following directives and standards:

EN 50081-1, EN 61000-6-2, 2004/108/EC.

Type: LT58G

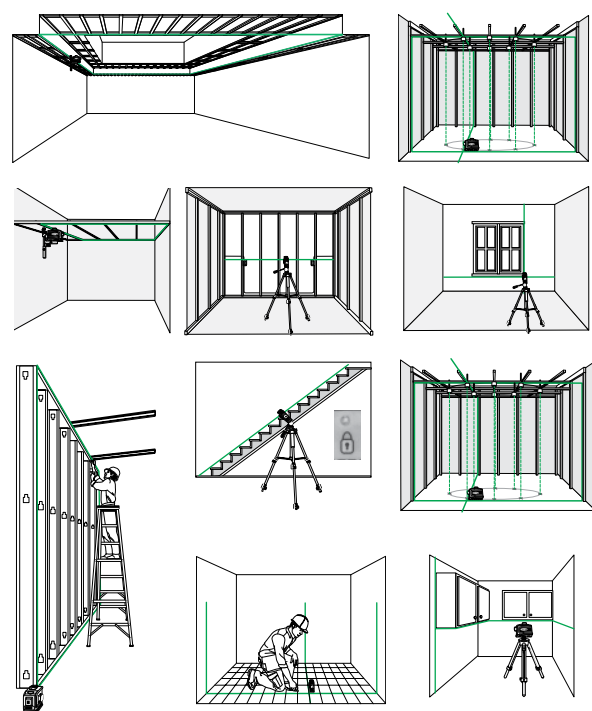
Notice to Our European Union Customers

For product recycling instructions and more information, please go to: www.trimble.com/environment/summary.html

Recycling in Europe

To recycle Trimble WEEE, call: +31 497 53 2430, and ask for the "WEEE associate," or mail a request for recycling instructions to:
Trimble Europe BV
c/o Mento Worldwide Logistics
Meerheide 45
5521 DZ Eersel, NL

Applications



- 5 -

Specifications

| | |
|---|--|
| Accuracy | ±3 mm @ 15 m (1/8" @ 50 ft) |
| Visual distance | 30m (100 ft) |
| Laser - power - class / wavelength | Less than 1mw Class 2 / 520nm - 635nm |
| Power Supply - batteries - battery life | Lithium-ion, 7200 mAh, 3.7 V 11 - 25 hours |
| Charge time | 8 hours (30 minute quick charge will provide 2 hours operation) |
| Charger | Input: 100-240V AC 190 mA Output: 5V DC 2A |
| Out of Level Indication | Flashing beam - triple flash every 10 seconds |
| Self leveling range | 4° ±1° all direction |
| Environmental - IP - Operating Temperature - Storage temp | IP54 -10° to 45° (14 °F to 113 °F) -20° to 60° (-4 °F to 140 °F) |
| Drop Specification | 1m (3 ft) |
| Size (L x W x H) | 152 x 116 x 84 mm (4.6 x 6.0 x 3.3 in) |
| Weight | 0.67 kg (1.48 lb) |

- 6 -

Storage

The temperature limits for storage of your equipment must be observed, especially in winter / summer.

Remove the tool from its case if it has become wet. The tool, its carrying case and accessories should be cleaned and dried (at maximum 40°C). Repack the equipment only once it is completely dry. Check the accuracy of the equipment before it is used after a long period of storage or transportation.

Transport

Note - The LT58G should be locked during transport.

Use the original packaging or packaging of equivalent quality for transporting or shipping your equipment.

CAUTION

Always remove the batteries before shipping the tool.

Laser Safety

Use of this product by people other than those trained on this product may result in exposure to hazardous laser light.

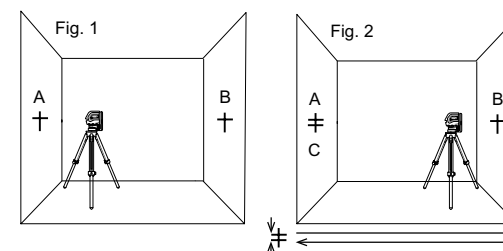
- Do not remove warning labels from the unit.
- The LT58G is a Class 2M laser product (520-635 nm).
- Never look into the laser beam or direct it to the eyes of other people.
- Always operate the unit in a way that prevents the beam from getting into people's eyes.



- 10 -

Warranty

Trimble warrants the LT58G to be free of defects in material and workmanship for a period of 3 years. Li-ion battery warranty is 2 years. This warranty period is in effect from the date the system is delivered by Trimble or its authorized Dealer to the purchaser, or is put into service by a Dealer as a demonstrator or rental component. Any evidence of negligent or abnormal use, or any attempt to repair equipment by other than factory-authorized personnel or Trimble certified or recommended parts, automatically voids the warranty. The foregoing states the entire liability of Trimble regarding the purchase and use of its equipment. Trimble will not be held responsible for any consequential loss or damage of any kind. This warranty is in lieu of all other warranties, except as set forth above, including an implied warranty. Merchantability of fitness for a particular purpose is hereby disclaimed. Customers should send products to the nearest authorized Factory, Dealer or Service Center for warranty repairs, freight prepaid. In countries with Trimble Service Subsidiary Centers, the repaired products will be returned to the customer, freight prepaid.



- 7 -

General Care, Storage and Safety

General safety rules

- Check the condition of the tool before use.
- The user must check the accuracy of the tool after it has been dropped or subjected to other mechanical stresses.
- Although the tool is designed for the tough conditions of jobsite use, as with other measuring instruments it should be treated with care.

Cleaning and drying

- Blow dust off the windows.
- Use only a clean, soft cloth for cleaning. If necessary, moisten the cloth slightly with pure alcohol or a little water.

NOTE Do not use any other liquids as these may damage the plastic components.

Battery disposal

Some areas have regulations regarding the disposal of batteries. Be sure to dispose of discharged batteries properly.

- 9 -

- 11 -