

Assembly Instructions

⚠ Important ⚠

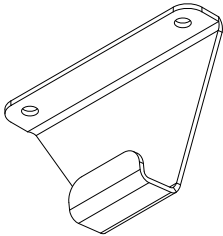
Before you begin, read and comply with all safety and operating instructions, and ensure all parts and correct quantities are included.

Any parts damaged during shipment must be reported within 5 days of receipt. To report information regarding missing parts or damage, to purchase parts or accessories, or if you have any questions, please contact us.

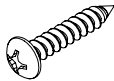
www.spectrumfurniture.com

800-235-1262, 715-723-6750

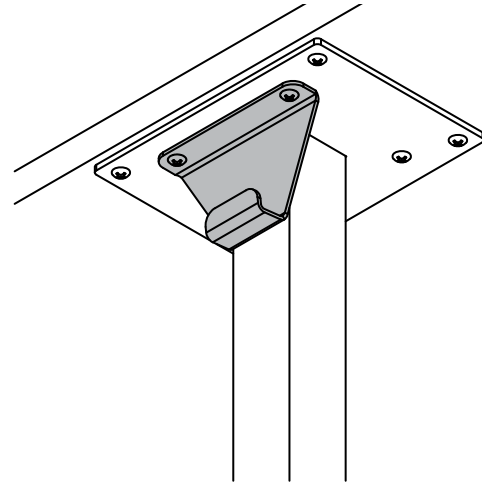
Thank you for purchasing Spectrum products!



(2) 0134011
Hanger bracket



(4) 0113526
#14 x 1-1/4" PHSM screw



Backpack Hanger for Flex Active Table 37237

Tools Required



Phillips
screwdriver

Installation

1. If installing brackets onto an assembled table, remove the two existing outside leg screws shown. **Figure 1.**
2. Install each hanger bracket as shown with (2) #14 x 1-1/4" PHSM screws. **Figure 2.**

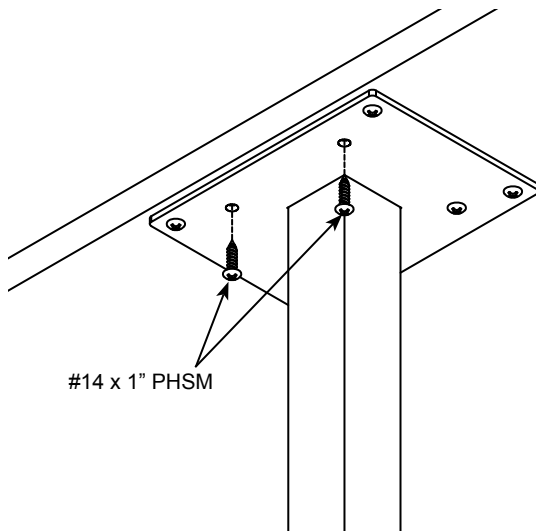


Figure 1

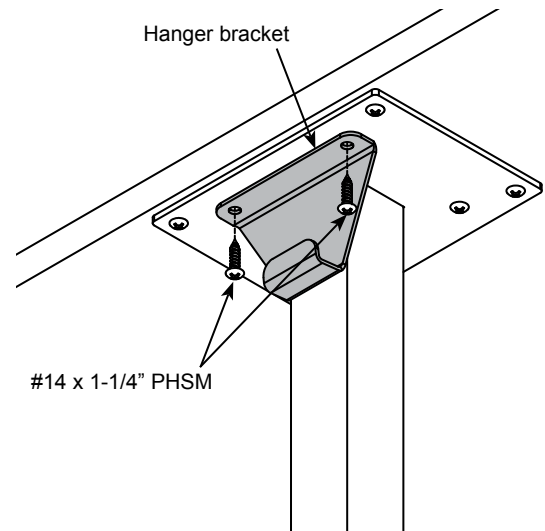


Figure 2