

Assembly Instructions

⚠ Important ⚠

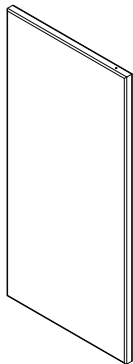
Before you begin, read and comply with all safety and operating instructions, and ensure all parts and correct quantities are included.

Any parts damaged during shipment must be reported within 5 days of receipt. To report information regarding missing parts or damage, to purchase parts or accessories, or if you have any questions, please contact us.

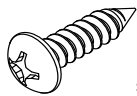
www.spectrumfurniture.com

800-235-1262, 715-723-6750

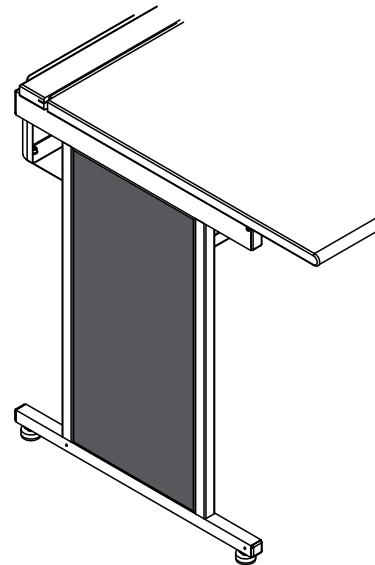
Thank you for purchasing Spectrum products!



(2) 0151474
Laminated leg
panel insert



(8) 037542
#8 x 5/8" PHSM



Laminated Leg Panel Insert - 37344 for Esports Desks



Installation options:

3 screw installation: (Pre-assembled desk) (does not require legs to be detached)

1. Carefully flip the desk upside down.
2. Set panel insert into each leg opening and secure with (3) #8 x 5/8" PHSM screws as shown. **Figure 1.**
3. Carefully flip desk upright.

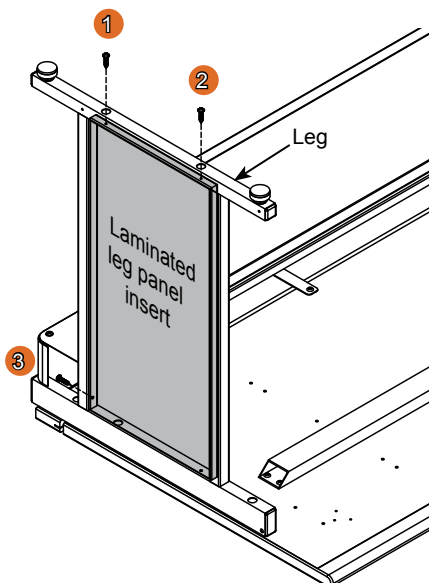


Figure 1

4 screw installation: (Unassembled or pre-assembled desk) (requires legs to be detached)

1. Carefully flip the desk upside down.
2. If legs aren't already detached, remove the legs, remove the support panel, cord channel fasteners, and leg-to-worksurface fasteners.
3. Set panel insert into each leg opening and secure with (4) #8 x 5/8" PHSM screws as shown. **Figure 2.**
4. Re-attach each leg to the work surface.
5. Re-attach the cord channel, and support panel.
6. Carefully flip the desk upright.

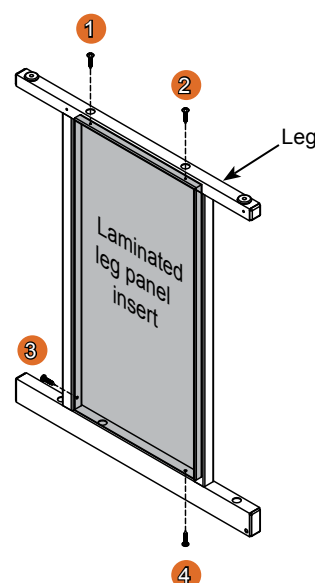


Figure 2