

Assembly Instructions

⚠ Important ⚠

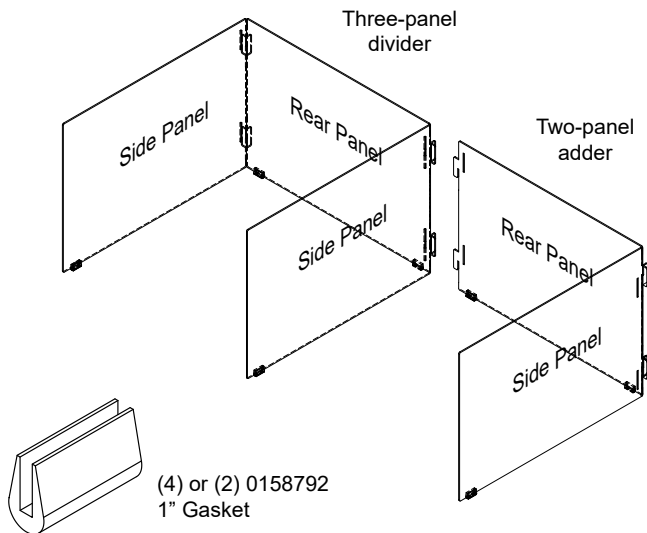
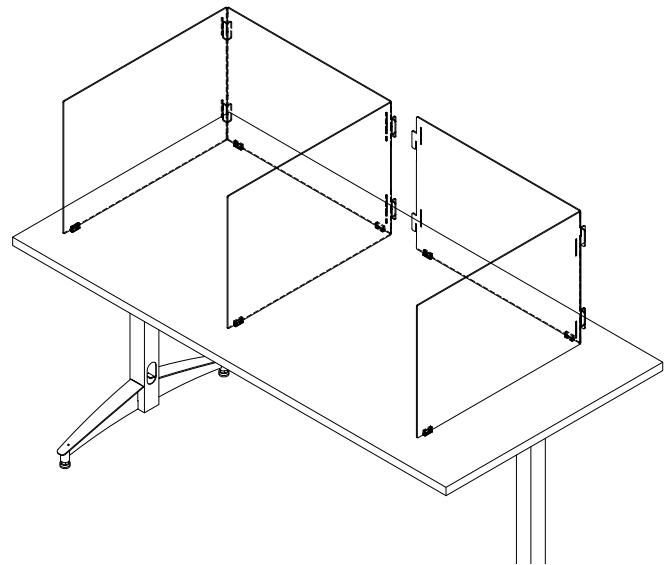
Before you begin, read and comply with all safety and operating instructions, and ensure all parts and correct quantities are included.

Any parts damaged during shipment must be reported within 5 days of receipt. To report information regarding missing parts or damage, to purchase parts or accessories, or if you have any questions, please contact us.

www.spectrumfurniture.com

800-235-1262, 715-723-6750

Thank you for purchasing Spectrum products!



Freestanding Acrylic Divider Panels

Three-panel dividers
(W x D x H)

37374 - 24" x 24" x 16"

37376 - 24" x 24" x 24"

37378 - 30" x 24" x 16"

37380 - 30" x 24" x 24"

Two-panel adders
(W x D x H)

37375 - 24" x 24" x 16"

37377 - 24" x 24" x 24"

37379 - 30" x 24" x 16"

37381 - 30" x 24" x 24"

1. Three-panel divider assembly

1. Orient the side panels with tabs pointing down. **Figure 1.**
2. Orient the rear panel with tabs pointing up.
3. Hook the side panel tabs over the rear panel tabs and push down to lock in place.

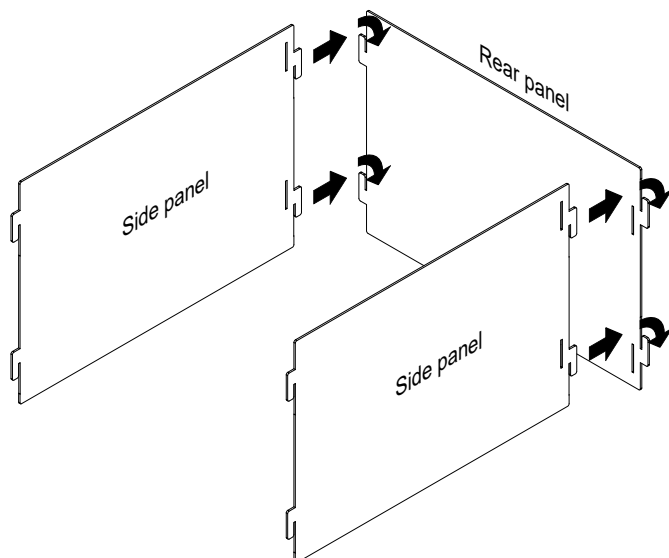


Figure 1

2. Two-panel adder assembly

1. Orient the adder rear panel with tabs pointing down. **Figure 2.**
2. Insert the adder rear panel tabs into the side panel slots (of the previously assembled three-panel divider) and push down to lock in place.
3. Hook the adder rear panel tabs over the adder side panel tabs and push down to lock in place.

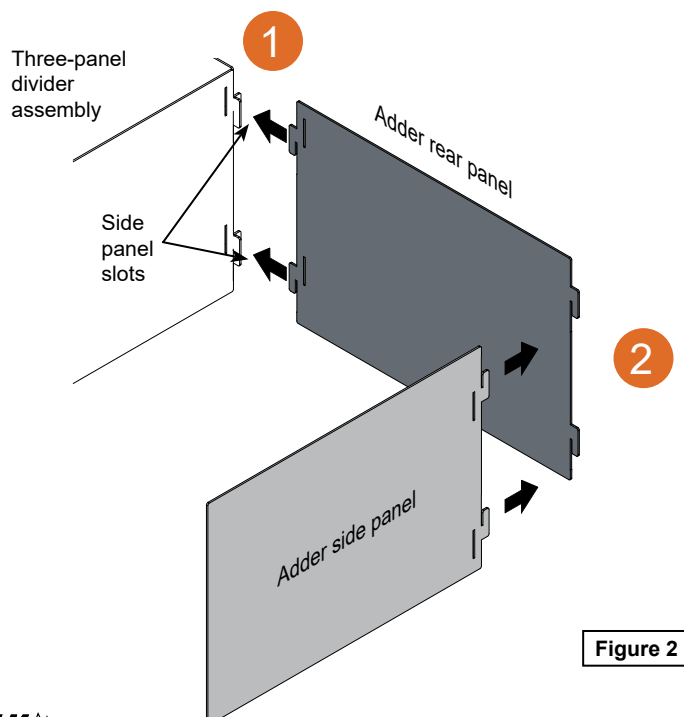


Figure 2

3. Install gaskets



Note: Do not flex or place excessive force on the acrylic divider panels to avoid damage.

1. Install gaskets on the bottom of the panels as shown. **Figure 3.**

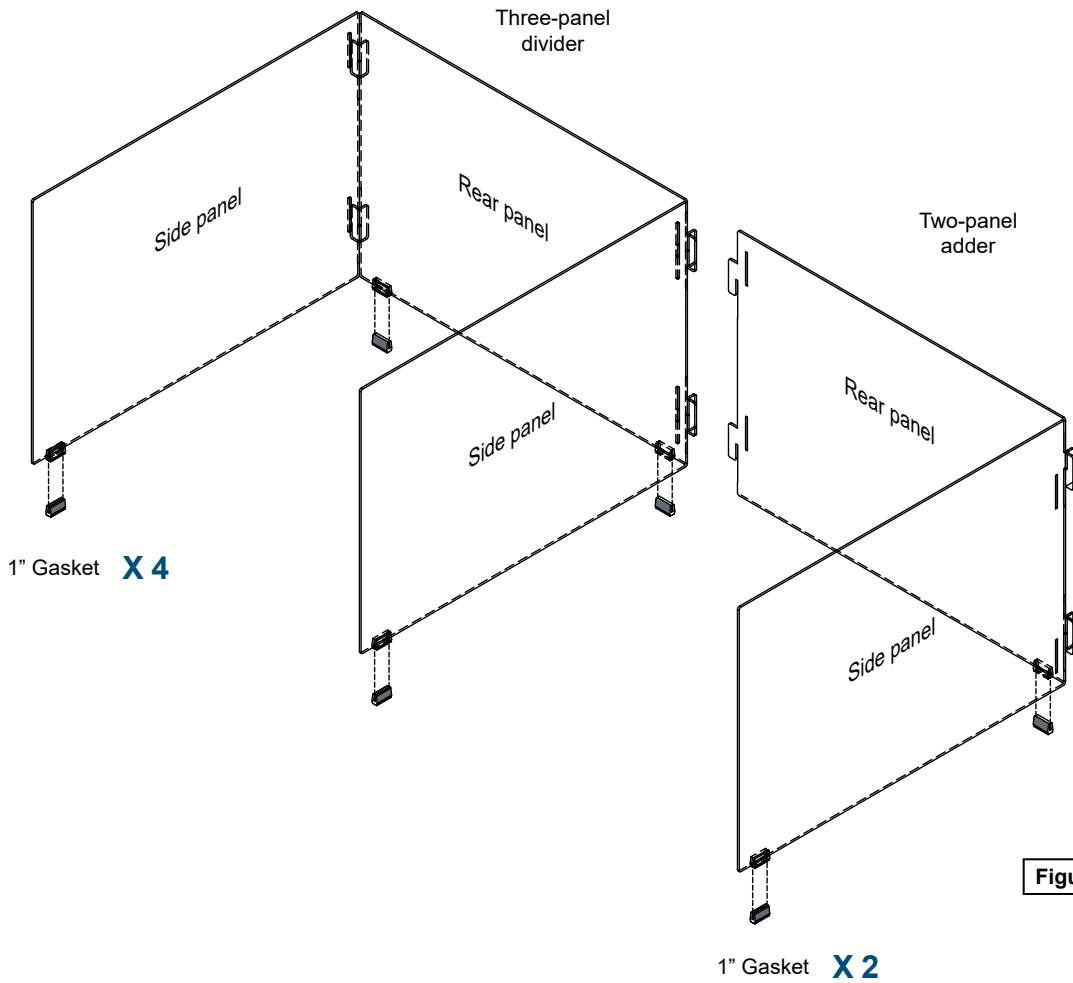


Figure 3

Other configurations

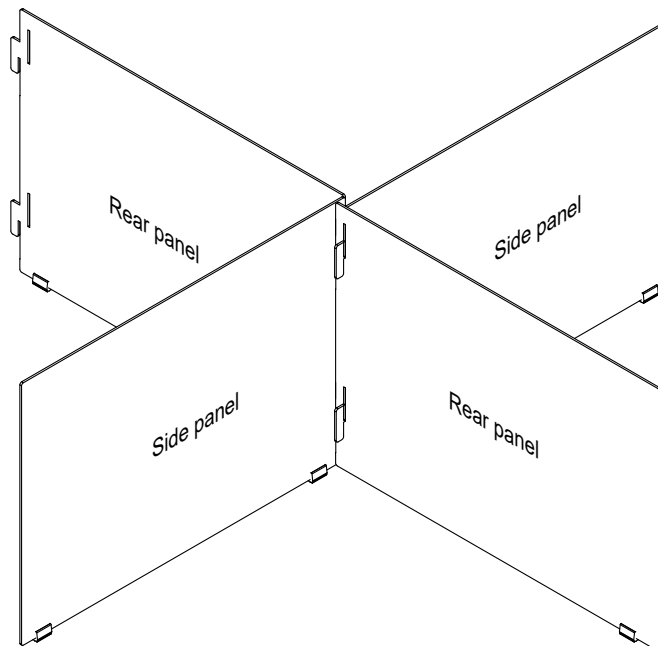


Figure 4

Cleaning Recommendations for Plexiglas® Acrylic Sheet

Altuglas International recommends to **CLEAN** Plexiglas® acrylic sheet using soap and water. Here is a link to our *PLEXIGLAS® SHEET: Handling and Maintenance* guidelines:
<https://www.plexiglas.com/export/sites/plexiglas/.content/medias/downloads/plexiglas-expert-pdf/Fabrication-Guidelines-Plexiglas-Handling-and-Maintenance.pdf>

Wash Plexiglas® sheet with a mild soap or detergent and a lukewarm water solution. Use a clean soft cloth or sponge and as much solution as possible. Rinse well. Dry by blotting with a damp cloth or chamois.

Plexiglas® acrylic sheets have excellent **CHEMICAL RESISTANCE** to ammonia based and chlorine based cleaners under ambient conditions for relatively short durations. Do not use cleaners that contain alcohol. The chemical resistance of Plexiglas® acrylic sheet will vary with the stress level, temperature, reagent, duration of exposure and specific Plexiglas® acrylic sheet used in the application. Altuglas International recommends that parts made from Plexiglas® acrylic sheets be tested with all reagents under appropriate conditions for the end-use application.

Differences between *Cleaning* and *Disinfecting* a surface¹.

***Cleaning** refers to the removal of germs, dirt, and impurities from surfaces. Cleaning does not kill germs, but by removing them, it lowers their numbers and the risk of spreading infection.*

***Disinfecting** refers to using chemicals to kill germs on surfaces. This process does not necessarily clean dirty surfaces or remove germs, but by killing germs on a surface after cleaning, it can further lower the risk of spreading infection.*

¹ *Cleaning and Disinfecting definitions copied from the CDC website: Clean & Disinfect; Interim Recommendations for US Households with Suspected/Confirmed Coronavirus Disease 2019 (<https://www.cdc.gov/coronavirus/2019-ncov/prepare/cleaning-disinfection.html>) March 24, 2020. Altuglas International has never tested any procedure or product to disinfect Plexiglas® acrylic sheet and has not independently verified any information provided on the CDC website.*

The statements, technical information and recommendations contained herein are believed to be accurate as of the date hereof. Since the conditions and methods of use of the product and of the information referred to herein are beyond our control, Altuglas International/Arkema expressly disclaims any and all liability as to any results obtained or arising from any use of the product or reliance on such information; **NO WARRANTY OF FITNESS FOR ANY PARTICULAR PURPOSE, WARRANTY OR MERCHANTABILITY OR ANY OTHER WARRANTY EXPRESS OR IMPLIED, IS MADE CONCERNING THE GOODS DESCRIBED OR THE INFORMATION PROVIDED HEREIN.** The information provided herein relates only to the specific product designated and may not be applicable when such product is used in combination with other materials or in any process. The user should thoroughly test any application before commercialization. Nothing contained herein constitutes a license to practice under any patent and it should not be construed as an inducement to infringe any patent and the user is advised to take appropriate steps to be sure that any proposed use of the product will not result in patent infringement. Plexiglas® is a registered trademark belonging to Arkema.

Altuglas International 03-30-20