

NEW

ACRYLIC DIVIDER PANELS

Add an Extra Barrier to Unwanted Germs

Retrofit any desk with our simple tab in panels or protect your esports team with our Acrylic Divider Panels for the Esports Evolution Desk.



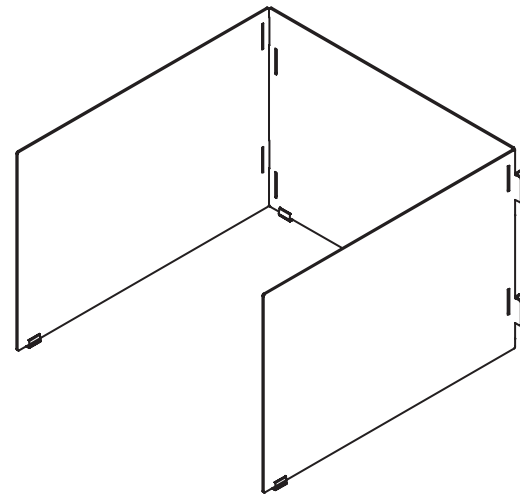
Endless configurations to help enforce physical and social distancing.

FREESTANDING ACRYLIC DIVIDER PANELS

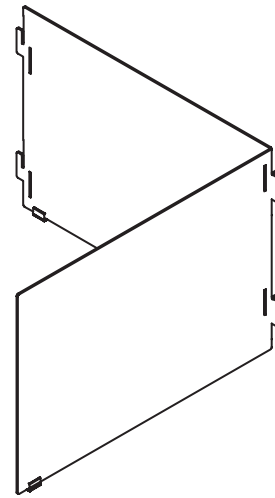
- Sets up in seconds
- No tools required for set up
- Clear acrylic sheets (.1181" thick) keep views unobstructed
- Available in multiple sizes to accommodate most desks or tables
- Can be set up in numerous configurations
- Rubber gaskets (feet) keep divider in place and leave space for access to small cables
- Easy to clean surfaces
- Can be stored flat when not in use

ACRYLIC DIVIDER PANELS FOR ESPORTS EVOLUTION DESK

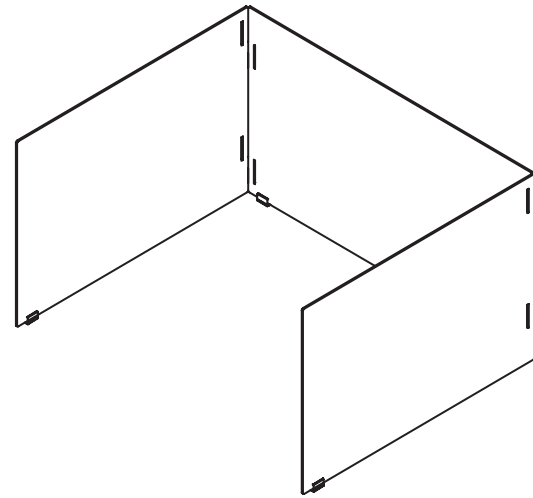
- Secured mounting system keeps divider in place
- Clear acrylic sheets (.1181" thick) keep views unobstructed
- Fits at the edge of the desk to create a safer, unobstructed workspace
- Optional adder panels make it easy to accommodate rows of Esports Evolution Desks
- Includes clearance cutouts to accommodate cable management panel
- 44"W X 30"D X 21.5"H
- Easy to clean surfaces



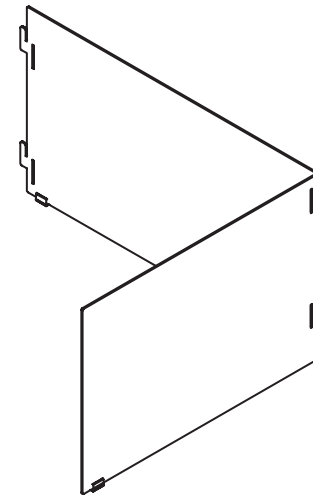
37374 - Freestanding Three-Panel Divider
24"W x 24"D x 16"H



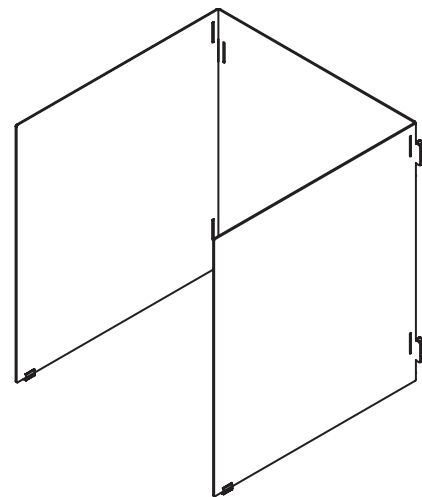
37375 - Freestanding Two-Panel Adder
24"W x 24"D x 16"H



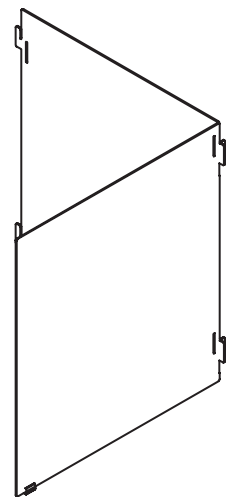
37378 - Freestanding Three-Panel Divider
30"W x 24"D x 16"H



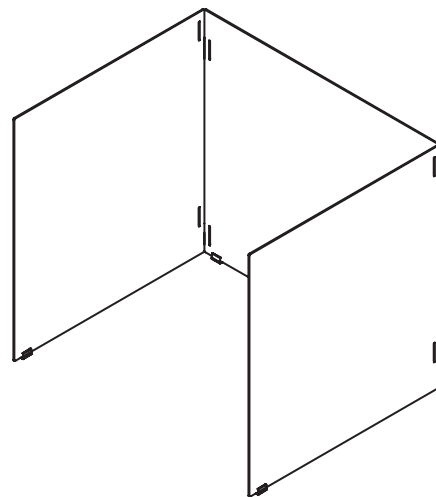
37379 - Freestanding Two-Panel Adder
30"W x 24"D x 16"H



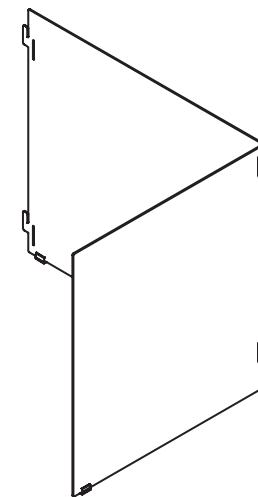
37376 - Freestanding Three-Panel Divider
24"W x 24"D x 24"H



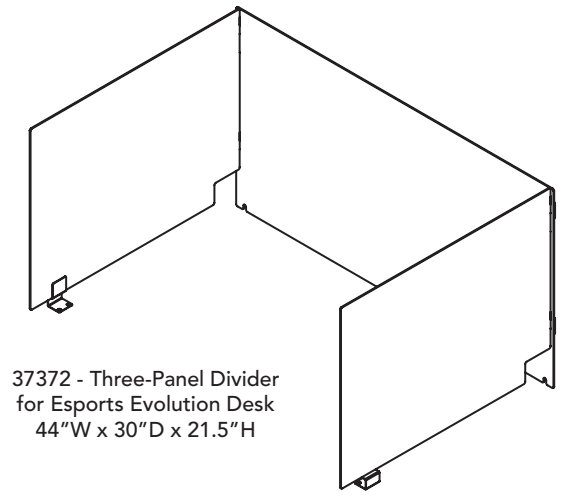
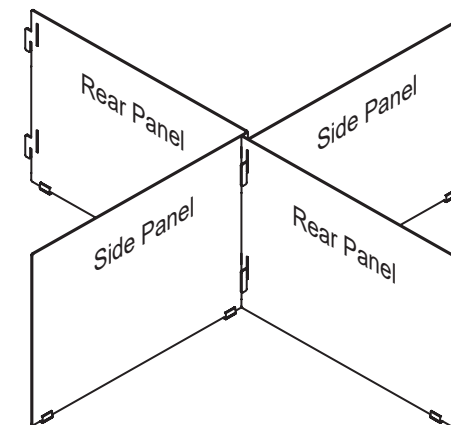
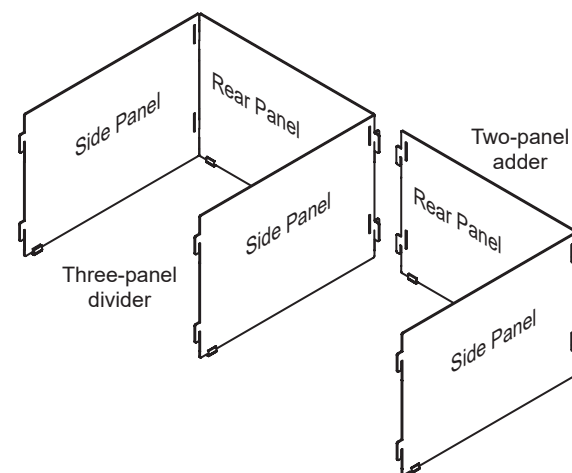
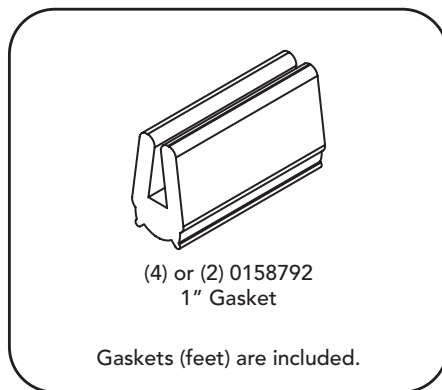
37377 - Freestanding Two-Panel Adder
24"W x 24"D x 24"H



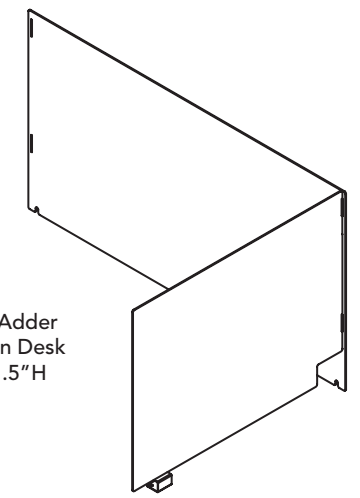
37380 - Freestanding Three-Panel Divider
30"W x 24"D x 24"H



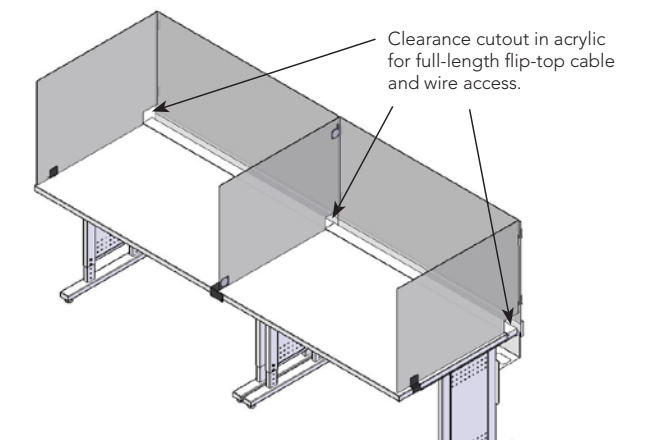
37381 - Freestanding Two-Panel Adder
30"W x 24"D x 24"H



37372 - Three-Panel Divider
for Esports Evolution Desk
44"W x 30"D x 21.5"H



37373 - Two-Panel Adder
for Esports Evolution Desk
44"W x 30"D x 21.5"H



Steel brackets and hardware included to secure panels to desk.

Note: When multiple desks are attached together in rows, the starter kit installs on the **leftmost** desk.

HEALTH AND SAFETY COME FIRST



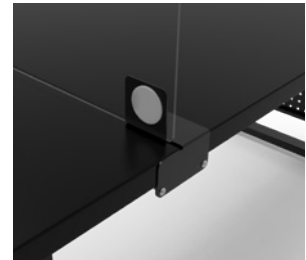
INTERLOCKING TABS ON FREESTANDING PANELS PROVIDE SIMPLE ASSEMBLY WITHOUT TOOLS



RUBBER GASKETS ON FREESTANDING PANELS HELP KEEP DIVIDER IN PLACE



THE PANELS FOR THE ESPORTS EVOLUTION DESK HAVE CUTOUTS TO ALLOW FOR CABLE ACCESS



ATTACH THE TAPE DISK TO THE PLEXI PANEL TO EASILY SECURE TO THE ESPORTS EVOLUTION DESK

Get integrated quick with Spectrum's great lead time.

 ASSEMBLY REQUIRED



ACRYLIC DIVIDER PANELS

AVAILABLE MODELS

Freestanding Acrylic Divider Panels

37374	Three-Panel Divider - 24"W x 24"D x 16"H
37376	Three-Panel Divider - 24"W x 24"D x 24"H
37378	Three-Panel Divider - 30"W x 24"D x 16"H
37380	Three-Panel Divider - 30"W x 24"D x 24"H
37375	Two-Panel Adder - 24"W x 24"D x 16"H
37377	Two-Panel Adder - 24"W x 24"D x 24"H
37379	Two-Panel Adder - 30"W x 24"D x 16"H
37381	Two-Panel Adder - 30"W x 24"D x 24"H

Acrylic Divider Panels for Esports Evolution Desk

37372	Three-panel Divider - 44"W x 30"D x 21.5"H
37373	Two-panel Adder - 44"W x 30"D x 21.5"H

WARRANTY

See website for full warranty terms

Note: Do not flex or place excessive force on the acrylic divider panels to avoid damage.

Tables and chairs not included. Options Shown.

Cleaning Recommendations for Plexiglas® Acrylic Sheet

Altuglas International recommends to **CLEAN** Plexiglas® acrylic sheet using soap and water. Here is a link to our *PLEXIGLAS® SHEET: Handling and Maintenance* guidelines: <https://www.plexiglas.com/export/sites/plexiglas/.content/medias/downloads/plexiglas-expert-pdf/Fabrication-Guidelines-Plexiglas-Handling-and-Maintenance.pdf>

Wash Plexiglas® sheet with a mild soap or detergent and a lukewarm water solution. Use a clean soft cloth or sponge and as much solution as possible. Rinse well. Dry by blotting with a damp cloth or chamois.

Plexiglas® acrylic sheets have excellent **CHEMICAL RESISTANCE** to ammonia based and chlorine based cleaners under ambient conditions for relatively short durations. Do not use cleaners that contain alcohol. The chemical resistance of Plexiglas® acrylic sheet will vary with the stress level, temperature, reagent, duration of exposure and specific Plexiglas® acrylic sheet used in the application. Altuglas International recommends that parts made from Plexiglas® acrylic sheets be tested with all reagents under appropriate conditions for the end-use application.

Differences between *Cleaning* and *Disinfecting* a surface¹.

Cleaning refers to the removal of germs, dirt, and impurities from surfaces. *Cleaning* does not kill germs, but by removing them, it lowers their numbers and the risk of spreading infection.

Disinfecting refers to using chemicals to kill germs on surfaces. This process does not necessarily clean dirty surfaces or remove germs, but by killing germs on a surface after cleaning, it can further lower the risk of spreading infection.

¹ *Cleaning and Disinfecting definitions copied from the CDC website: Clean & Disinfect; Interim Recommendations for US Households with Suspected/Confirmed Coronavirus Disease 2019 (<https://www.cdc.gov/coronavirus/2019-ncov/prepare/cleaning-disinfection.html>) March 24, 2020. Altuglas International has never tested any procedure or product to disinfect Plexiglas® acrylic sheet and has not independently verified any information provided on the CDC website.*

The statements, technical information and recommendations contained herein are believed to be accurate as of the date hereof. Since the conditions and methods of use of the product and of the information referred to herein are beyond our control, Altuglas International/Arkema expressly disclaims any and all liability as to any results obtained or arising from any use of the product or reliance on such information; **NO WARRANTY OF FITNESS FOR ANY PARTICULAR PURPOSE, WARRANTY OR MERCHANTABILITY OR ANY OTHER WARRANTY EXPRESS OR IMPLIED, IS MADE CONCERNING THE GOODS DESCRIBED OR THE INFORMATION PROVIDED HEREIN.** The information provided herein relates only to the specific product designated and may not be applicable when such product is used in combination with other materials or in any process. The user should thoroughly test any application before commercialization. Nothing contained herein constitutes a license to practice under any patent and it should not be construed as an inducement to infringe any patent and the user is advised to take appropriate steps to be sure that any proposed use of the product will not result in patent infringement. Plexiglas® is a registered trademark belonging to Arkema.