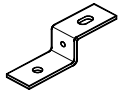
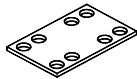


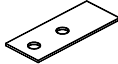
Assembly Instructions:



(2) 0102049
1/8" Steel 'Z' Bracket



(2) 036281
Dual Unit-to-Unit
Bracket



(2) 036207
Flip-Top Support
Bracket



(2) 021554
1/4-20 x 50mm
JC Bolt



(15) 026064
1/4-20 x 5/8 PHMS



(2) 050524
#8 x 3/4" PH TEK
Screw

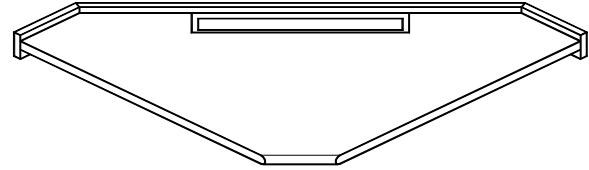


(2) 026009
1/4-20 Locknut



(1) 025039
4mm Hex Wrench

Tools Required:
 Phillips Screwdriver
 Electric Drill w/ Phillips Bit
 4mm Hex Wrench (included)



Evolution Corner Connector (30") #38906

Before you begin, please make sure all parts and proper quantities are included. Any parts damaged during shipment must be reported within 15 days of receipt. To report information regarding damages or if you have any questions, please call 1-800-235-1262.

1. Attach Flip-Top Support Brackets and Cord Channel

- A. Place corner connector upside-down.
- B. Attach the two Flip-Top Support Brackets and Cord Channel with (5) 1/4-20 x 5/8" PHM Screws as shown in **Figure 1**.

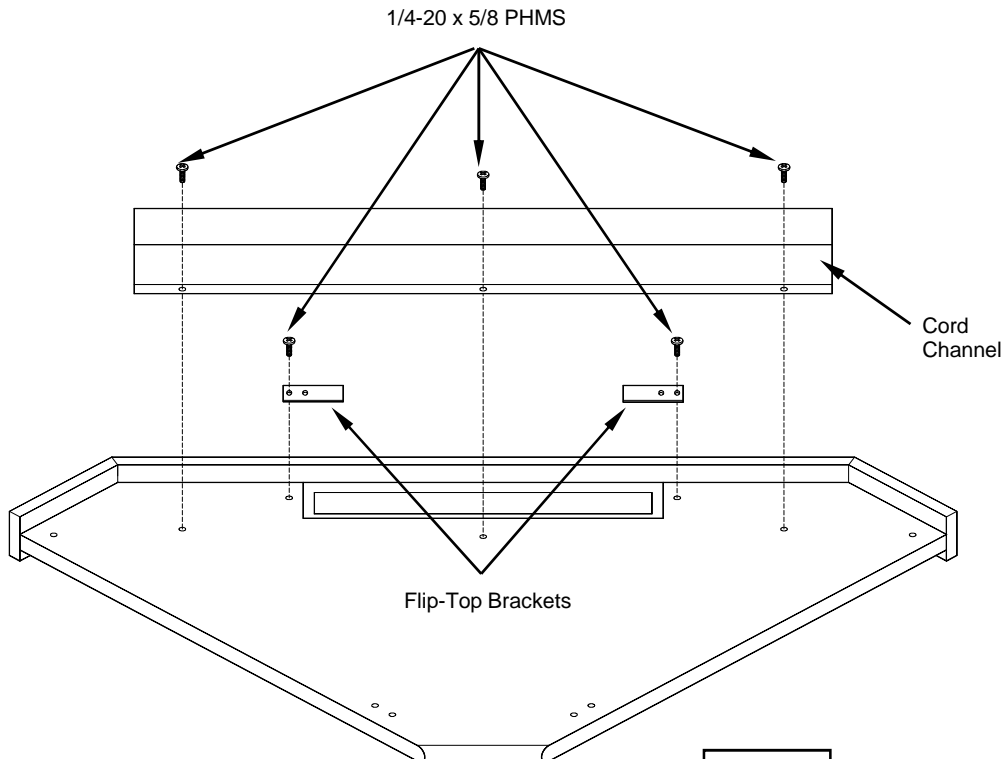
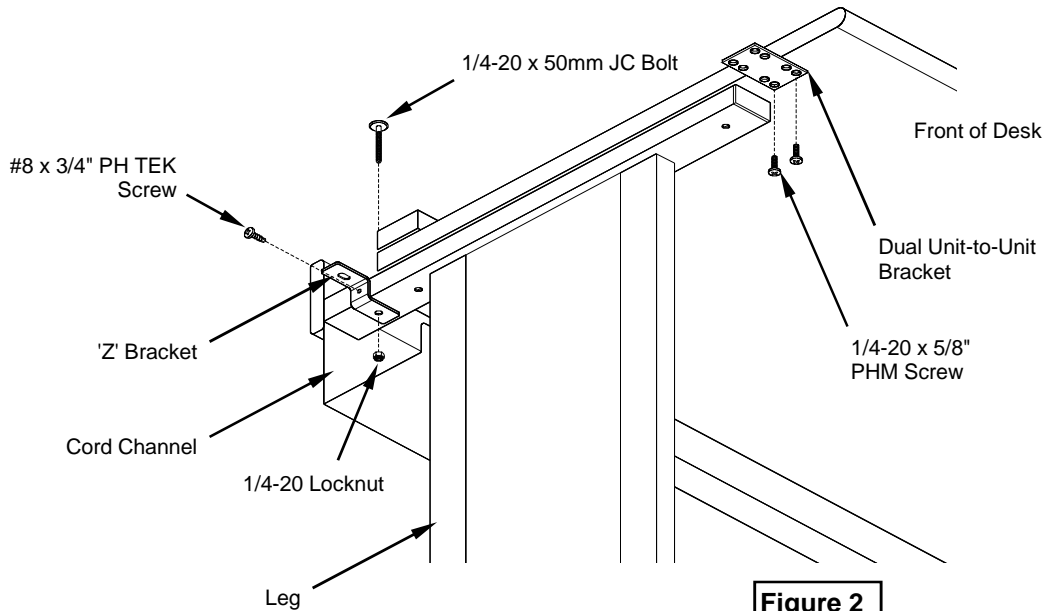


Figure 1

2. Attach Brackets to Desks

- A. Attach the 'Z' Brackets to the rear of each desk as shown in **Figure 2** using (1) 1/4-20 x 50mm JC Bolt and Locknut. Tighten completely. Note: The elongated hole on the 'Z' Bracket will attach to the Corner Connector.
- C. Using an electric drill with a Phillips bit, install a #8 x 3/4" PH TEK Screw through the 'Z' Bracket and into the leg.
- B. Attach the Dual Unit-to-Unit Brackets to the front of each desk as shown. Do not tighten completely.



3. Attach Corner Connector to Desks

- A. Align both desk 90° to each other leaving about 6" between the corners as shown in **Figure 3**.
- B. Place the Corner Connector onto the brackets and align the mounting holes.
- C. Install (6) 1/4-20 x 5/8" PHM Screws, but do not tighten completely-after the screws are started, alignment of the desks may be necessary.
- D. After alignment is satisfactory, tighten all screws.

