

Assembly Instructions

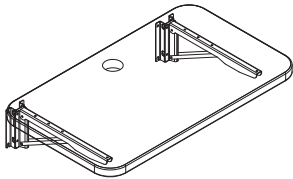
⚠ Important ⚠

Before you begin, read and comply with all safety and operating instructions, and ensure all parts and correct quantities are included.

Any parts damaged during shipment must be reported within 5 days of receipt. To report information regarding missing parts or damage, to purchase parts or accessories, or if you have any questions, please contact us.

www.spectrumfurniture.com
800-235-1262, 715-723-6750

Thank you for purchasing Spectrum products!



(1) Flip-up shelf assembly



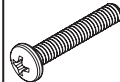
(1) 039622
2" Grommet

For metal side panels



(8) 0100167
8-32 x 1/2" PH
Thread-cutting screw

For laminate side panels



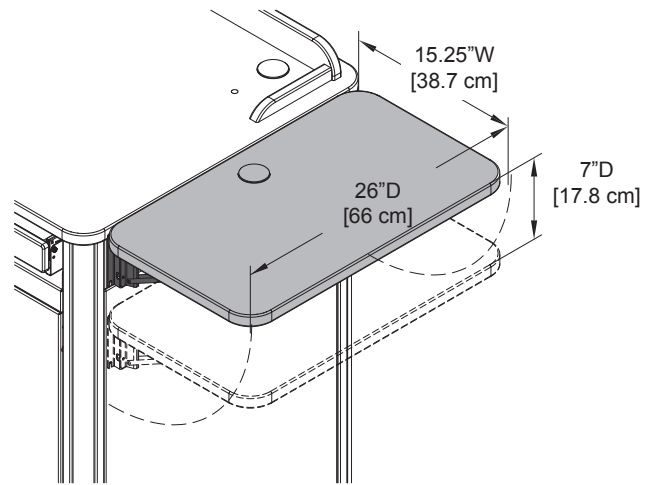
(8) 051696
8-32 x 1" PHMS



(8) 0285
3/16 Flat Steel
Washer



(8) 021588
8-32 Keps Nut



Flip-up Shelf for Link Lectern™
55540



Installation video available

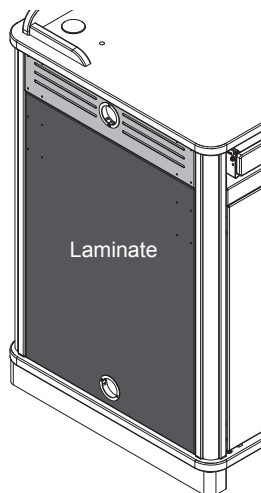
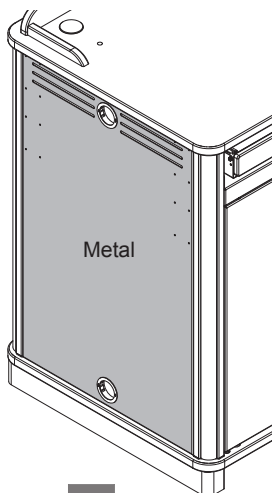
See www.spectrumfurniture.com



1. Before You Begin

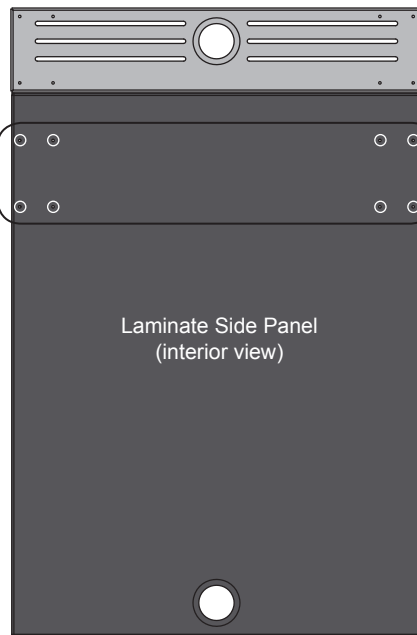
Determine:

- The side of the lectern the shelf will be installed. (Left or right)
- The shelf position: (Upper or lower)
- Type of side panels your lectern has (metal or laminate) **Figure 1A**



Proceed to Step 2

Figure 1A



Upper shelf
position holes

Lower shelf
position holes

Laminate Side Panel
(interior view)

Figure 1B

Attaching to laminate side panels:

1. Open the lectern door and remove the rack cube (if equipped).
2. From inside the lectern, use a drill with a 3/16" drill bit and slowly drill out the corresponding pre-drilled pilot holes located on the laminate side panel. **Figure 1B**. Masking tape can be used on the exterior to minimize chip-out.



Drill with
3/16" drill bit

2. Attach shelf brackets to lectern

1. Extend and lock each folding shelf bracket into the horizontal position.
2. Select the fasteners needed (Metal or laminate side panels)
3. Install the (4) lower screws into the side panel at the preferred height leaving about 1/4" of threads exposed.
4. Set the shelf assembly onto the (4) lower screws using the notched brackets.
5. Secure the shelf assembly by installing the (4) upper screws.
6. Tighten all 8 screws securely.
7. Install 2" grommet in shelf.

Laminate side panel fasteners

- (4) 8-32 x 1" PHMS
- (4) 3/16" Flat steel washers
- (4) 8-32 Keps nuts

Metal side panel fasteners

- (4) 8-32 x 1/2" PH Thread-cutting screws

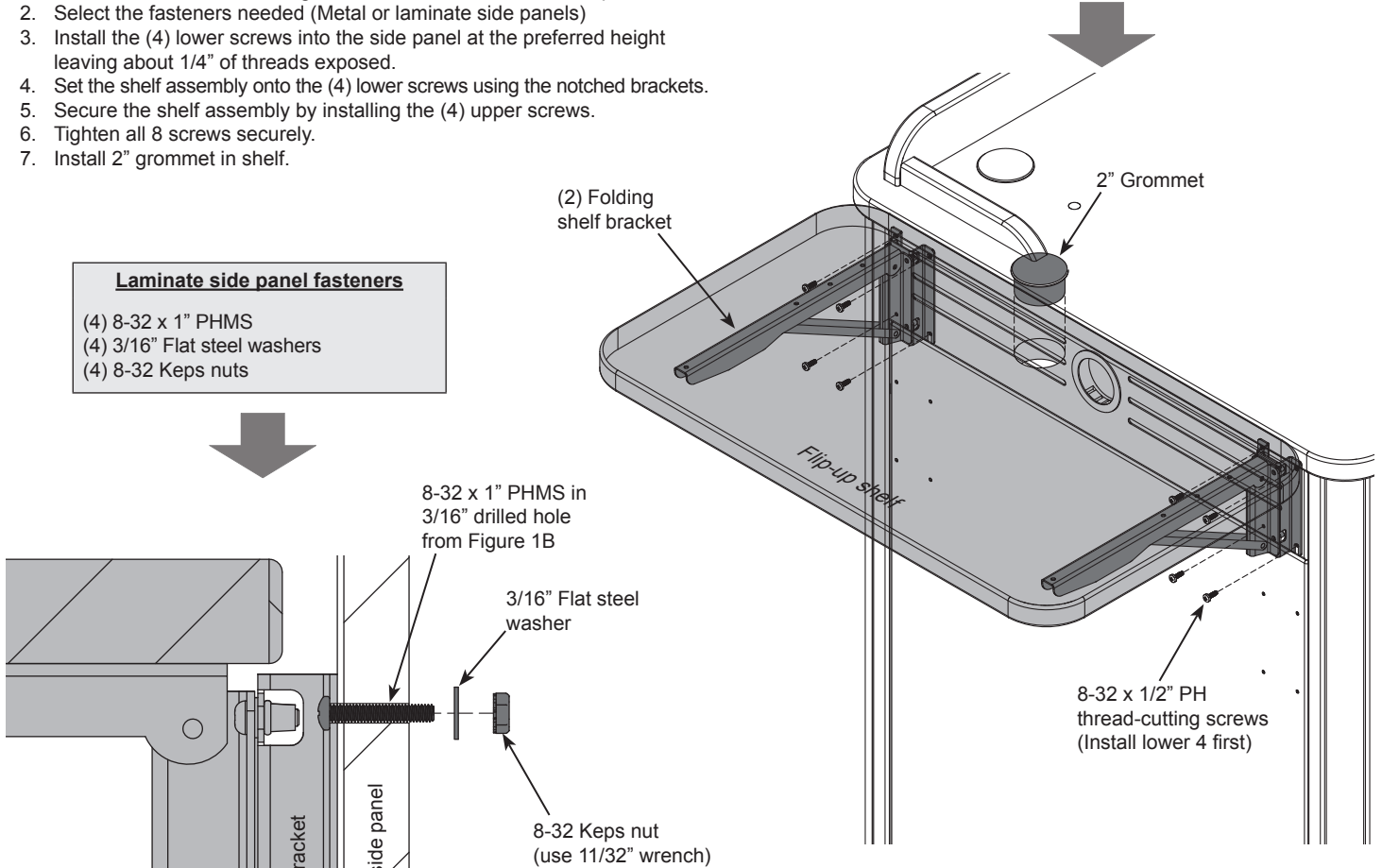


Figure 2

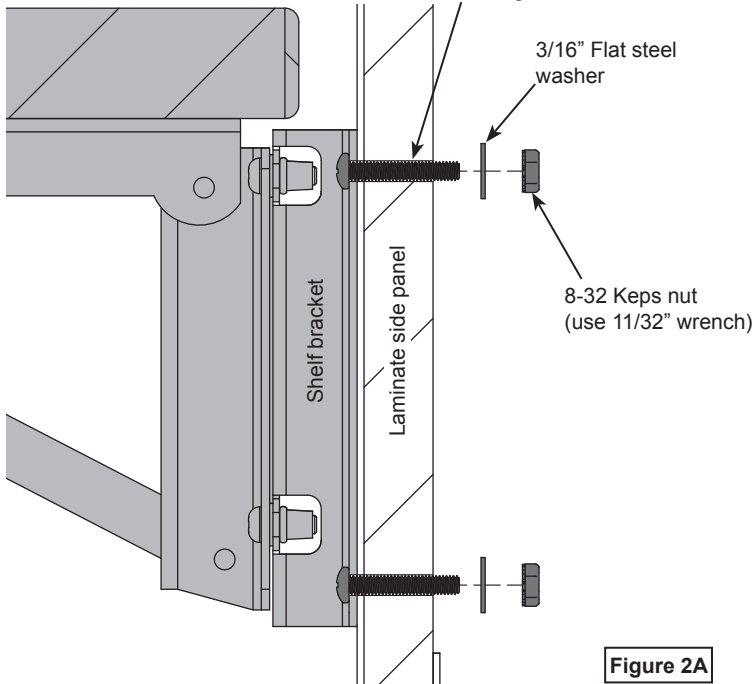


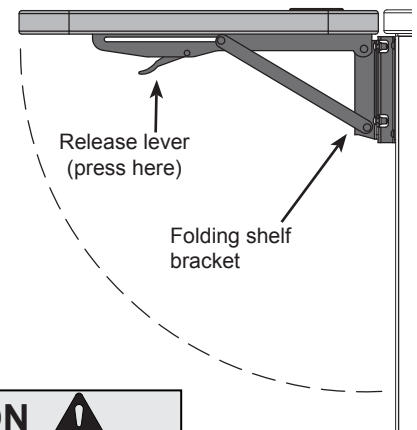
Figure 2A

3. Operation

Operation

The shelf will automatically lock into place when lifted into the horizontal position with the levers released. **Figure 3.** To lower or flip-up the shelf, press and hold the shelf bracket levers while slowly lowering or raising the shelf. Do not move the lectern while the shelf is in the horizontal position.

Note: Power and communication wiring for document cameras, laptop computers, and / or projectors placed on the flip-up shelf should be routed on top of the audience-side of the shelf. Use of the shelf grommet hole for wiring will result in pinching of the cords when the shelf is folded.



CAUTION
Keep clear of pinch points during shelf movement.
Do not exceed 35 lbs [15.9 kg] of weight on shelf.

Figure 3