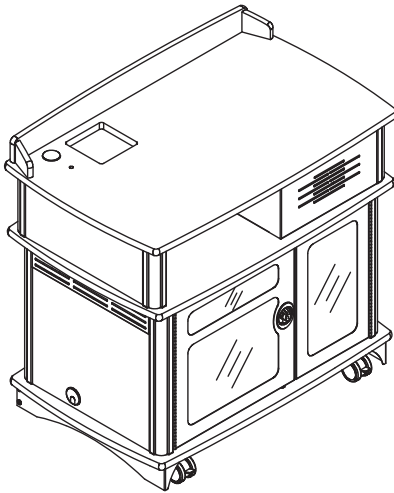


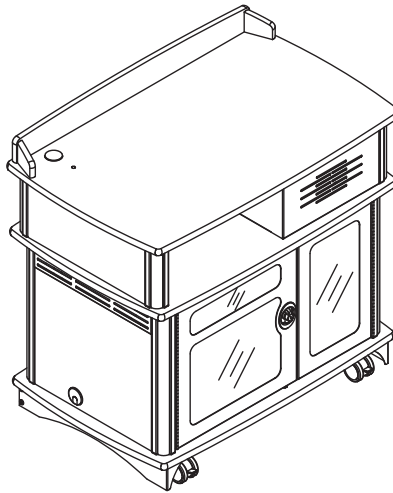
Technical Specifications

205 Westwood Ave, Long Branch, NJ 07740  
Phone: 866-94 BOARDS (26273) / (732)-222-1511  
Fax: (732)-222-7088 | E-mail: sales@touchboards.com

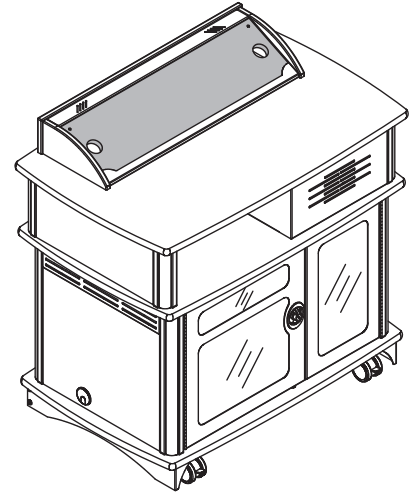
55250	w/ CC600 worksurface cutout
55251	without worksurface cutout
55352	w/ Overbridge Control Console™



Masters Lectern  
with CC600 cutout  
55250TW



Masters Lectern  
without worksurface cutout  
55251TW



Masters Lectern  
with Overbridge Control Console™  
55352TW  
shown with optional insert panel (shaded)

*The Masters Lectern: The appearance of a custom lectern. The capability of high-tech multimedia lecterns and podiums. The deliverance of a great presentation. With the Masters Interactive Lectern, Spectrum has offered a custom-made wooden expression to a mid-sized lectern frame. With a standard locking pull-out drawer, professional storage design and back panels to ease integration, the Masters is capable of much more than custom lecterns. Add factory-designed options to meet your presentation requirements, and the Masters Lectern easily distances itself from custom competition. Why pay the price of a custom lectern when the Masters can deliver so much more?*

<b>Base Options</b>
TW - 3" Twin-Wheel casters
TK - Toe Kick

<b>Options &amp; Accessories</b>
Page 8

Features and Benefits

- Worksurface has ample room for papers, laptops, projectors, and most peripheral equipment
- Surround provides privacy and elegance (non-overbridge models only)
- Stylish design features solid wood edges and steel skirt
- Pull-out locking drawer with vented bottom panel on full-extension ball bearing drawer slides provides security and quick access to a document camera. Anti-skid pad at bottom of drawer prevents camera movement.
- Blank worksurface and overbridge versions allow custom cutouts
- Rack-rail equipment mounting simplifies installation for any equipment configuration with enough space for an internal CPU
- Standard rack rail brackets allow the front and rear rack rails to be moved further inside the unit, if necessary, to accommodate larger knobs and plugs
- Double-bolt, keyed locking front doors provide security and easy-access
- Removable back panels provide security and easy-access to rear of unit making it easy to maintain audio, video, and multi-media equipment
- Overbridge console version allows custom cutouts and installation of presentation controllers
- 3" swivel locking Twin-Wheel (TW) casters, and Toe Kick (TK) versions available
- Ventilated side and bottom panels keep equipment cool
- Scratch and impact resistant 1 1/8" high-pressure laminate worksurface, mid, and base panels
- Cable grommets throughout the unit keep wires and cords manageable
- Removable acrylic viewing / access panels on the front door provides easy monitoring and access to internal equipment
- Optional pull-out adjustable keyboard tray provides convenient keyboard access
- Optional 15' retractable UL-listed 15-amp power cord reel provides quick and easy power-access
- Pre-drilled monitor arm mounting hole allows easy installation of a monitor arm (non-overbridge models only)
- Quick-change logo panel simplifies adding or changing logos
- Wide variety of options and accessories allow unit to be configured to most situations
- Warranted to be free of all defects in materials and workmanship with a 10-year warranty

Color Options

Standard laminate / color combinations

Wild Cherry / Black  
(CHB)



Indigo Organix / Black  
(IB)



Indigo Organix / Dark Gray  
(ID)



Fusion Maple / Black  
(FMB)



Standard color combination refers to the quickest deliverable product color combination. Custom laminates and color combinations are available-additional lead-times and up-charges may apply. Call 1-800-235-1262 for further information.

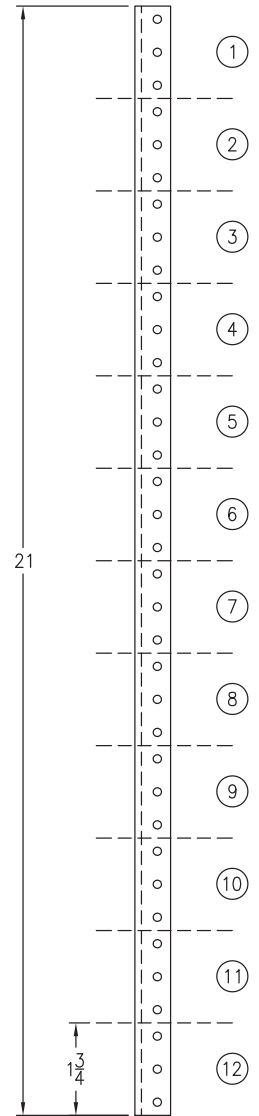
# Construction

- The worksurface, mid, and base panels are constructed from 1 $\frac{1}{16}$ " thick NAUF (No Added Urea Formaldehyde) composite board with .030 high-pressure laminate on one face, and a balancing phenolic backer on the opposing face
- Metal components consist of 16-gauge and 20-gauge steel
- 16-gauge steel doors and corner columns
- All metal components are finished with a scratch-resistant powder coat epoxy
- Worksurface and surround edges are finished with a laminated/solid wood core
- Clear acrylic viewing panels
- Solid wood corner trim
- Each Masters Lectern is factory-assembled, packaged, and shipped on its own skid

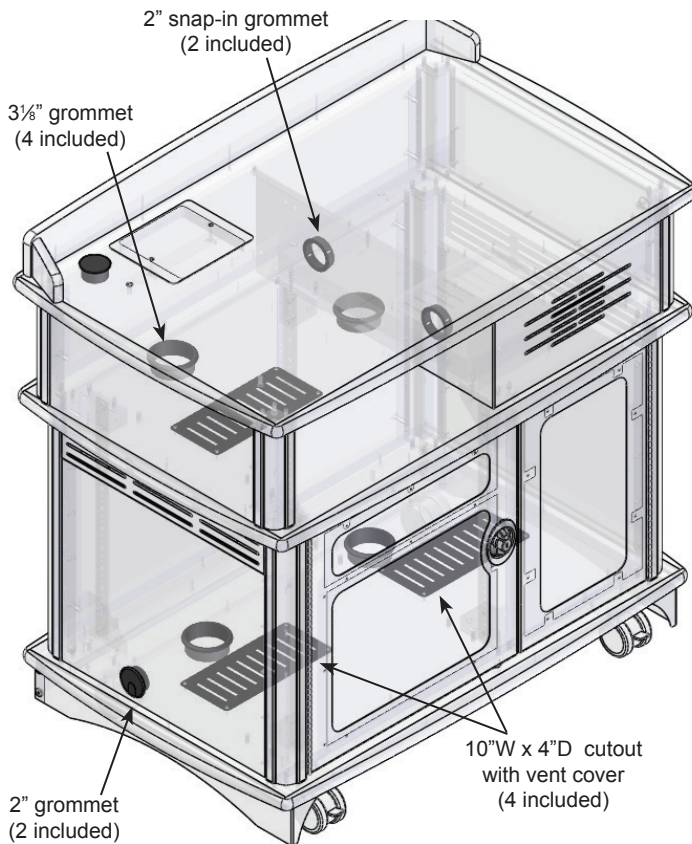
# Specifications

Total internal area (lower section)	37 $\frac{1}{2}$ "W x 23 $\frac{1}{4}$ "D x 22"H
CPU area	13"W x 23"D x 22"H
Standard rack rail	24RU (two sets of 12RU)
3" Twin-Wheel casters	weight capacity 165 lbs each
Document camera drawer	18"W x 18 $\frac{1}{2}$ "D x 8 $\frac{3}{8}$ "H (top to bottom clearance)
Available cutout area in worksurface (left-side)	20 $\frac{1}{2}$ "W x 24 $\frac{1}{2}$ "D
Unit weight (nominal)	240 lbs
Shipping weight (nominal)	320 lbs
Meets or exceeds applicable ANSI-BIFMA test standards	

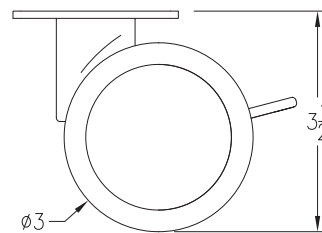
*Specifications subject to change without notice*



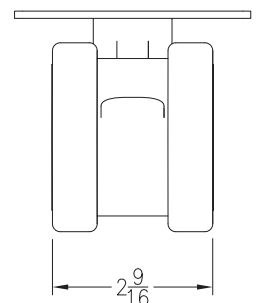
12RU available



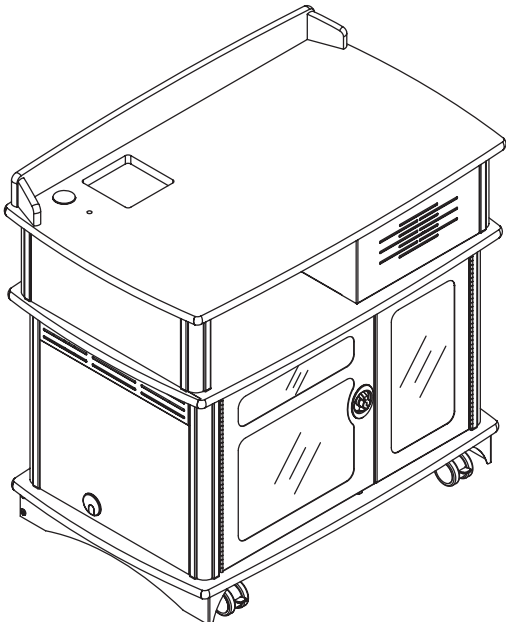
Note: On multiple lecterns, drawer and door locks can be keyed the same or differently. A modification can be made to key the locks on a single lectern differently or to key all the lecterns differently. An up-charge and lead-time will apply. (Standard locks are all keyed the same.)



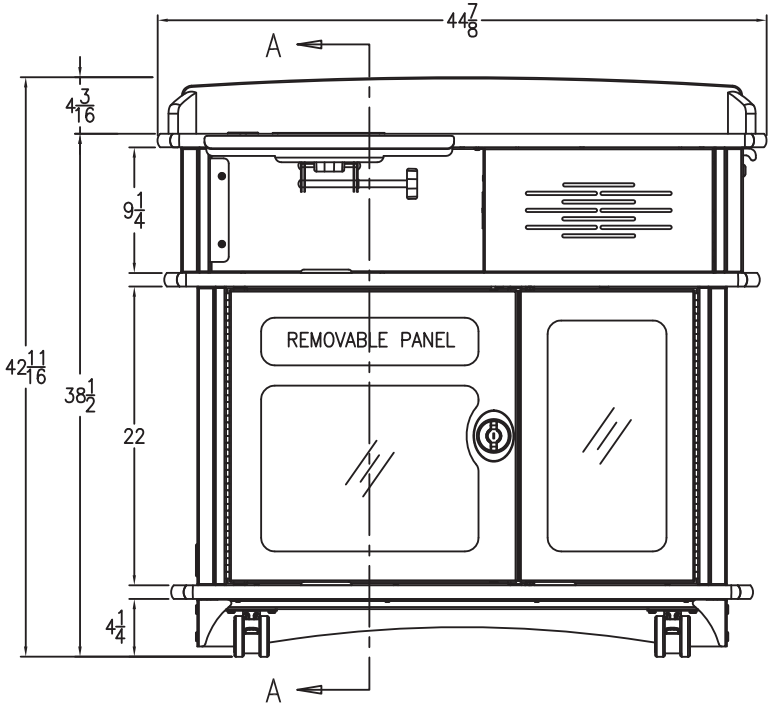
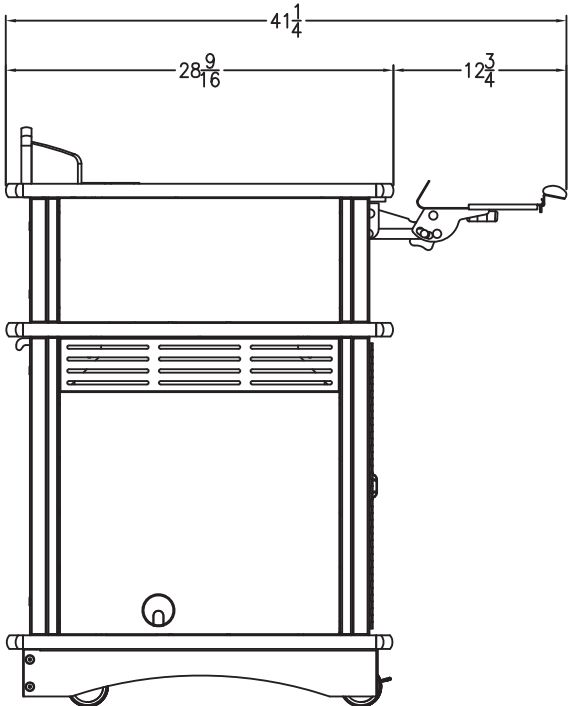
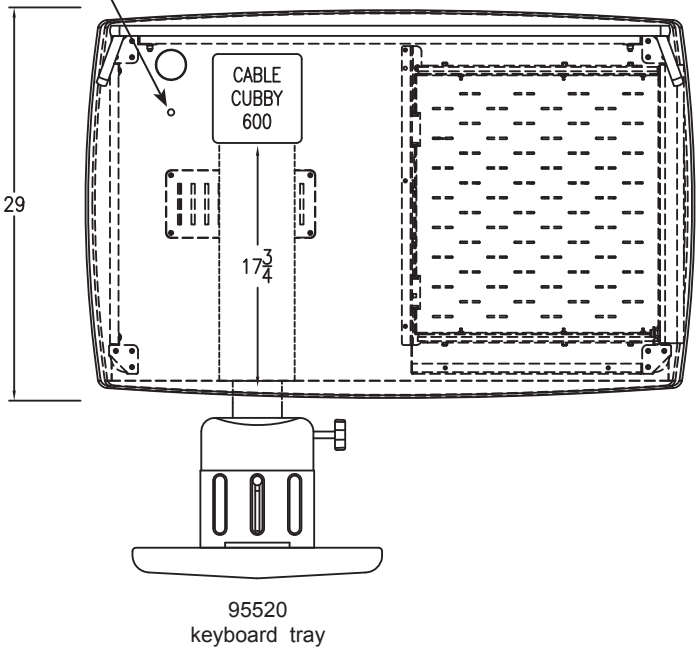
3" Twin-Wheel caster (TW)

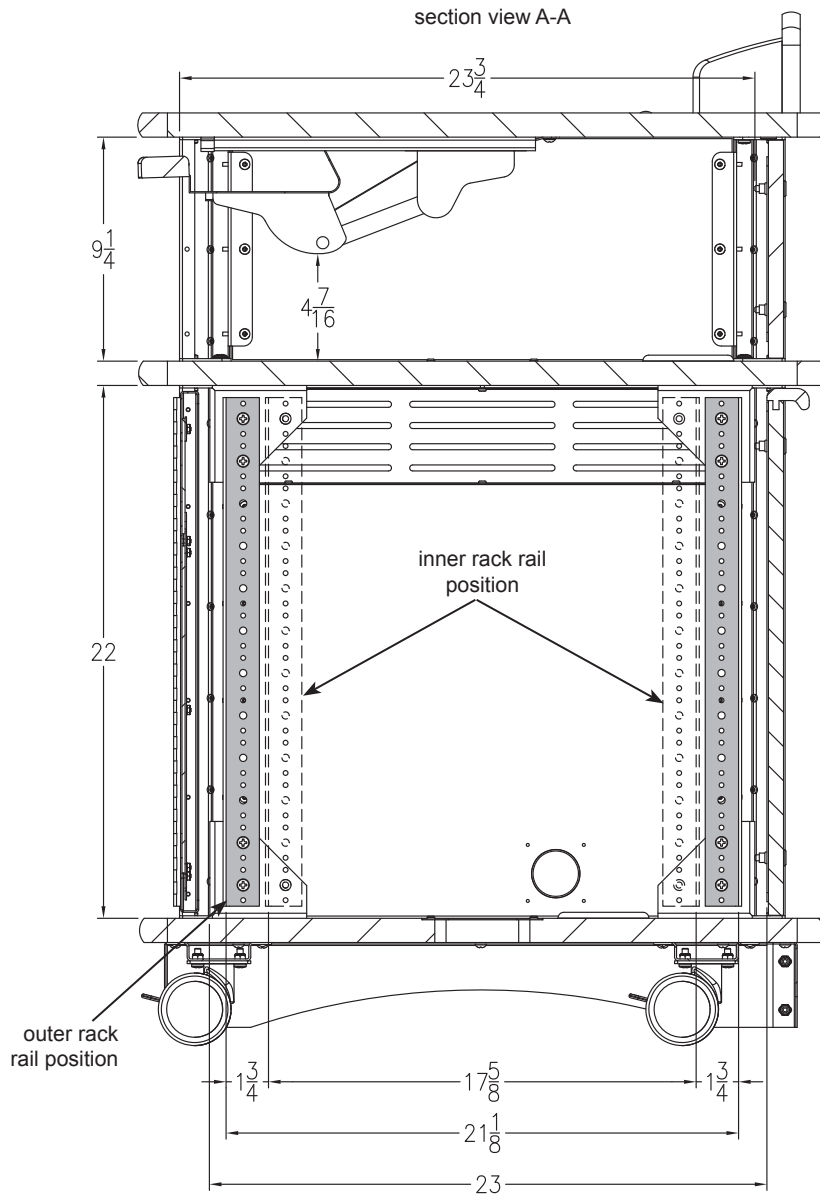


Masters Lectern  
with TW casters, CC600 cutout  
(shown with optional keyboard tray)

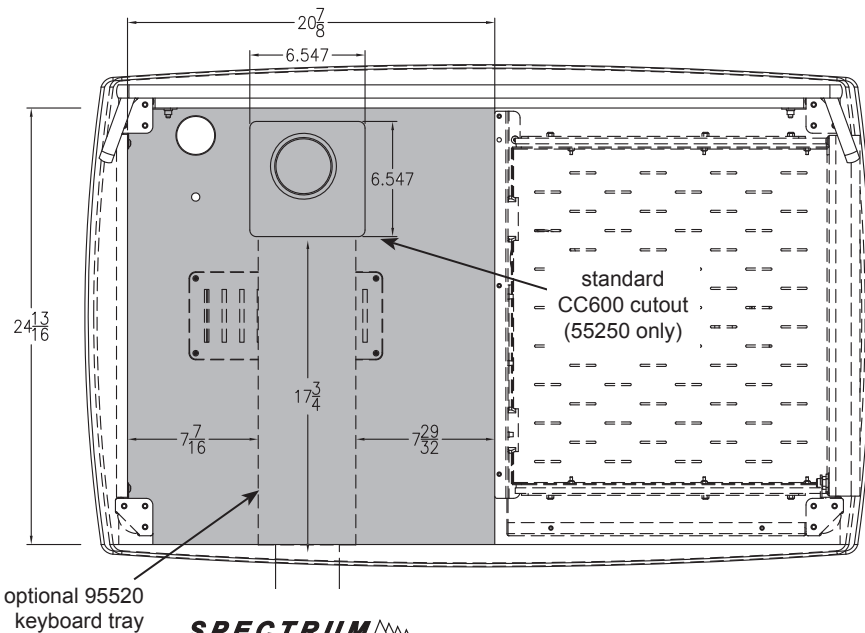


3/8" monitor arm  
mounting hole



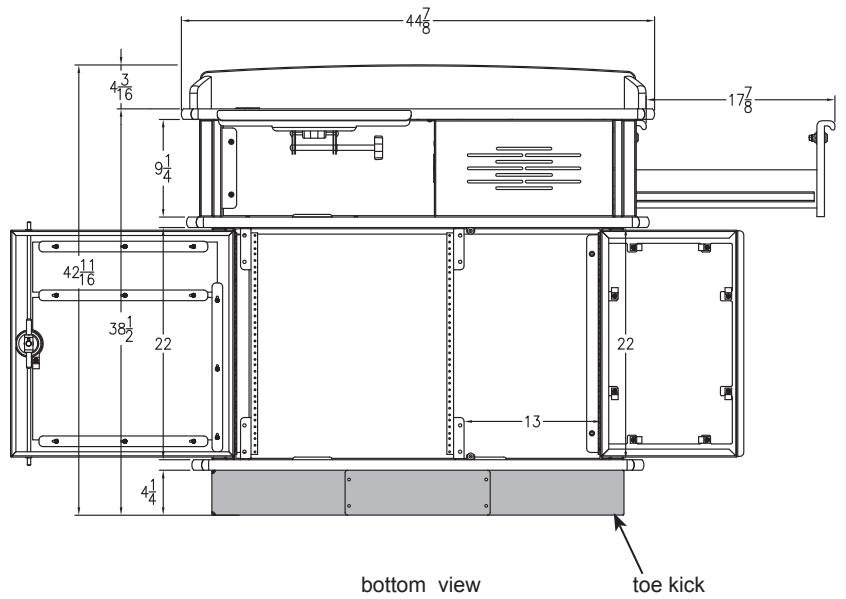
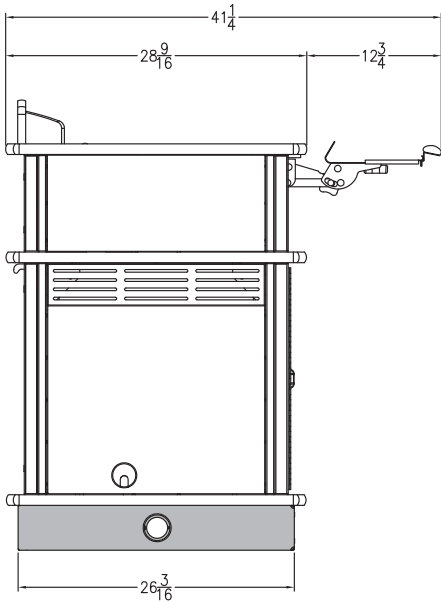
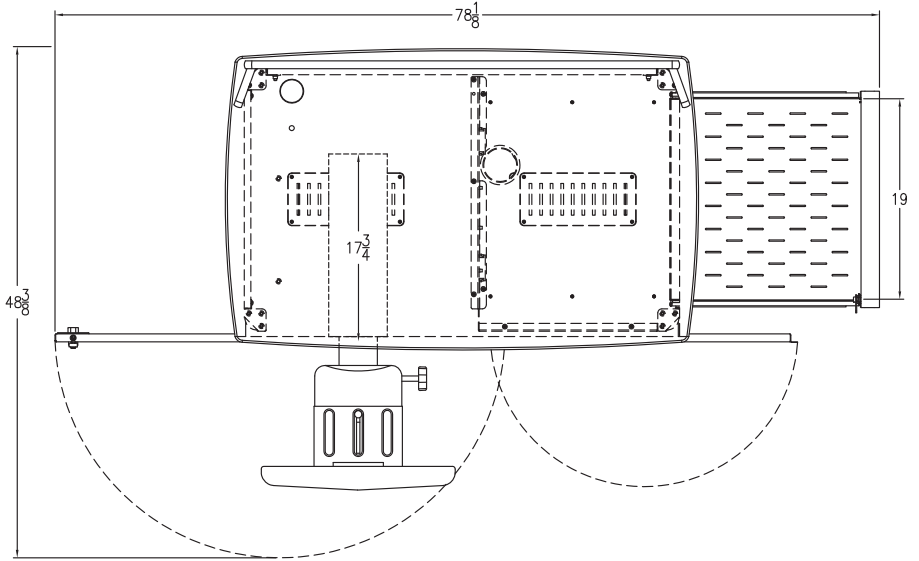
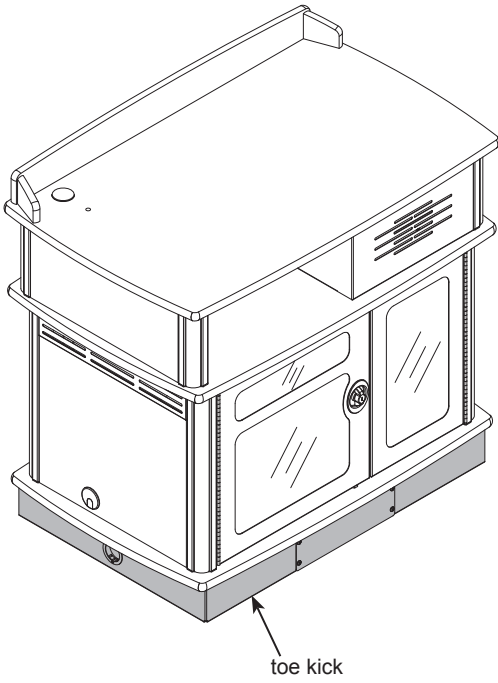


recommended cutout area in worksurface  
(shaded area)



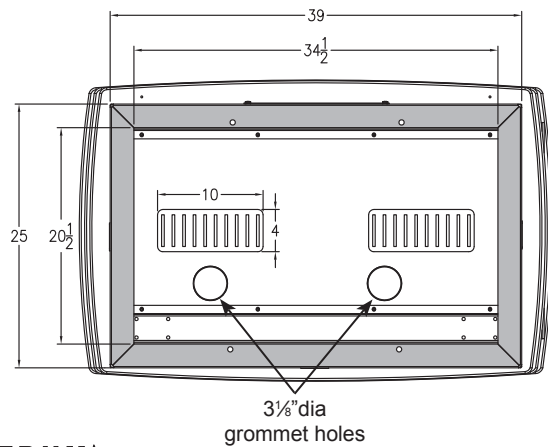
Note: Modified worksurface cutouts should be reviewed by Spectrum to ensure clearance of brackets, keyboard slides, or other objects under the worksurface.

Masters Lectern  
 without worksurface cutout, with Toe Kick  
 (shown with optional keyboard tray)



bottom view

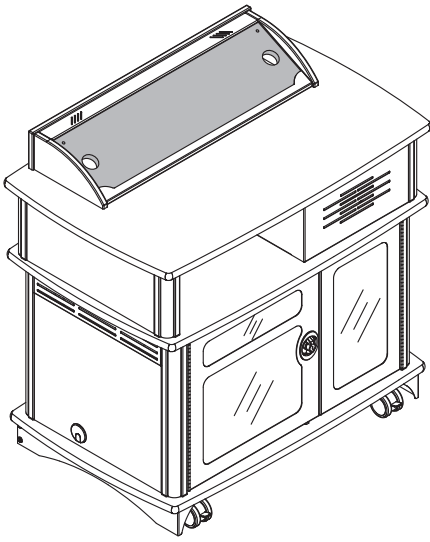
toe kick



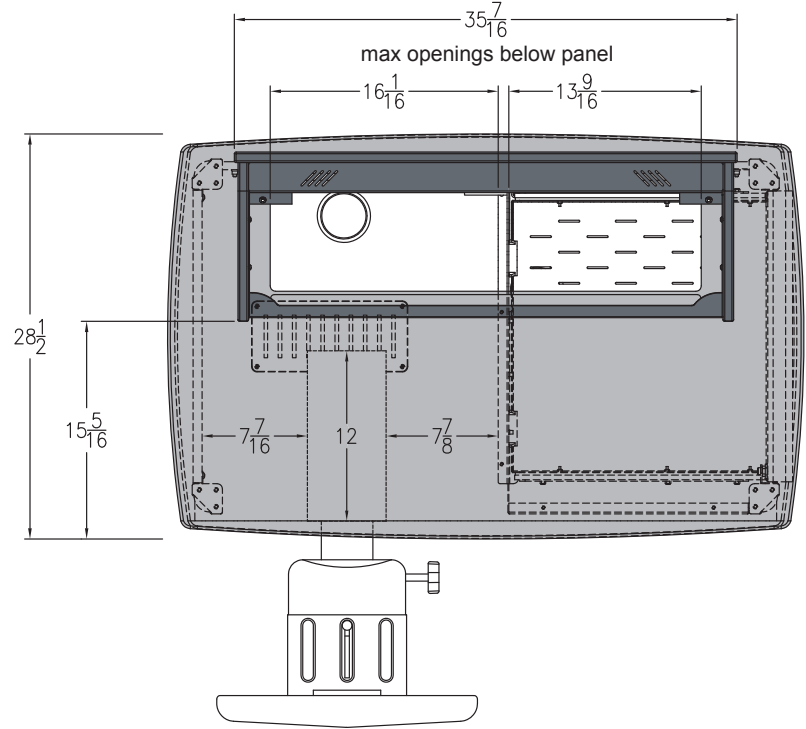
**Touchboards**

205 Westwood Ave, Long Branch, NJ 07740  
 Phone: 866-94 BOARDS (26273) / (732)-222-1511  
 Fax: (732)-222-7088 | E-mail: sales@touchboards.com

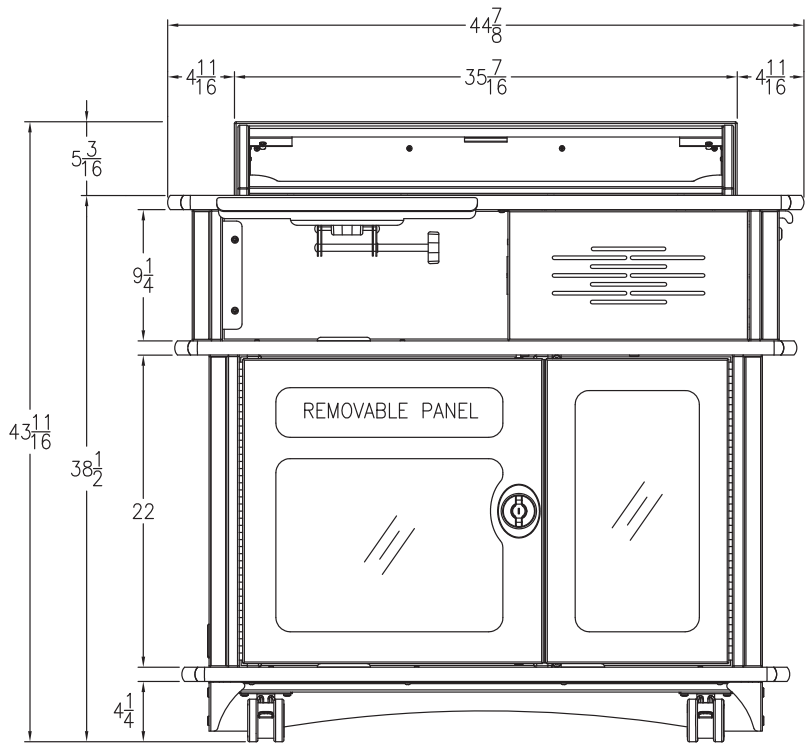
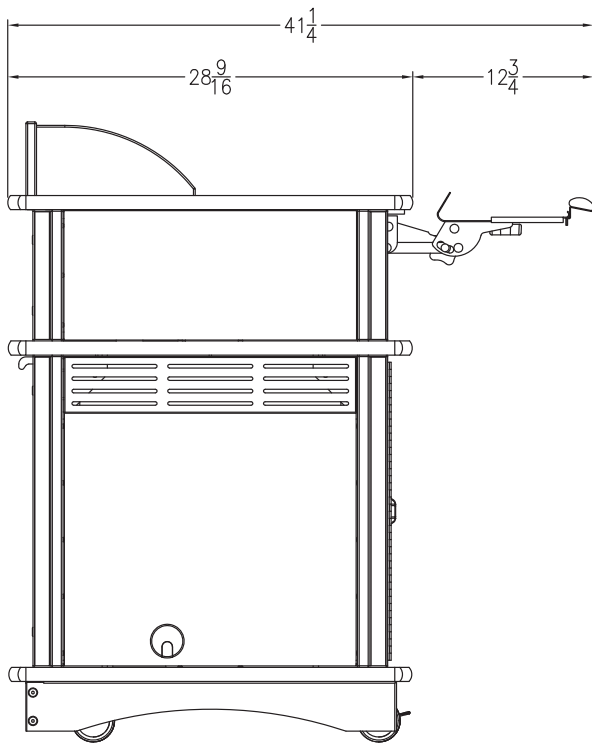
Masters Lectern  
with TW casters and Overbridge Control Console™  
(shown with optional keyboard tray)



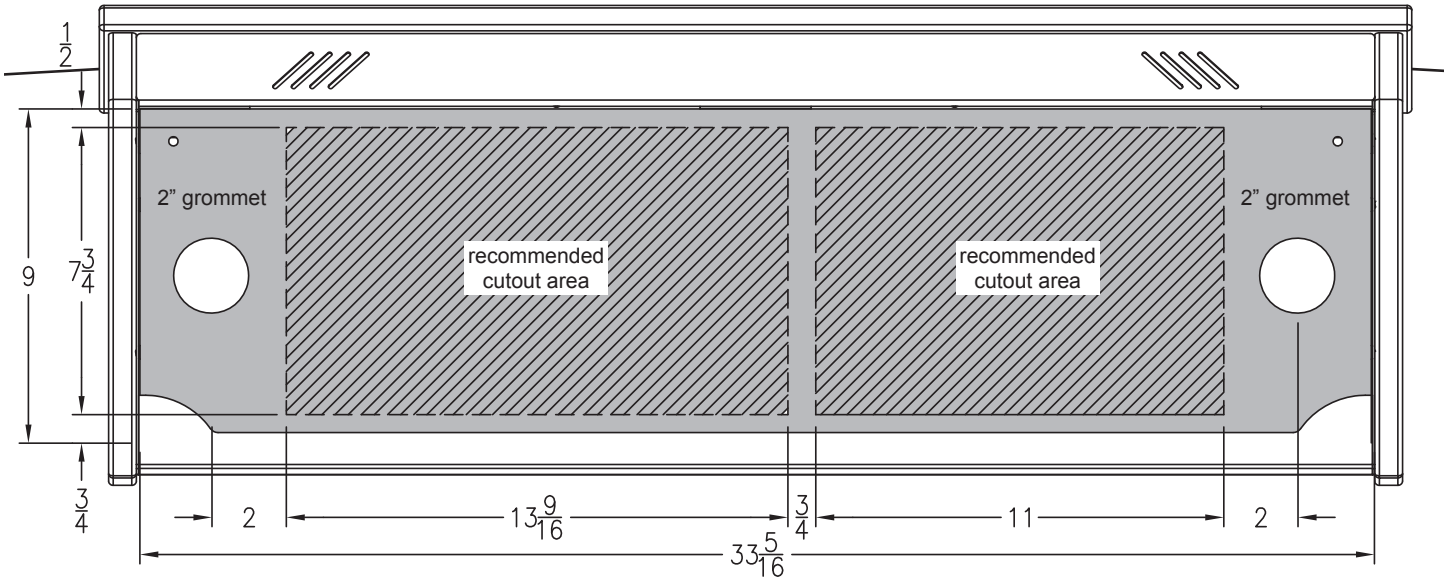
(shown without required  
96507 overbridge panel)



Note: The overbridge version does not come with any predrilled work-surface monitor arm mounting holes.

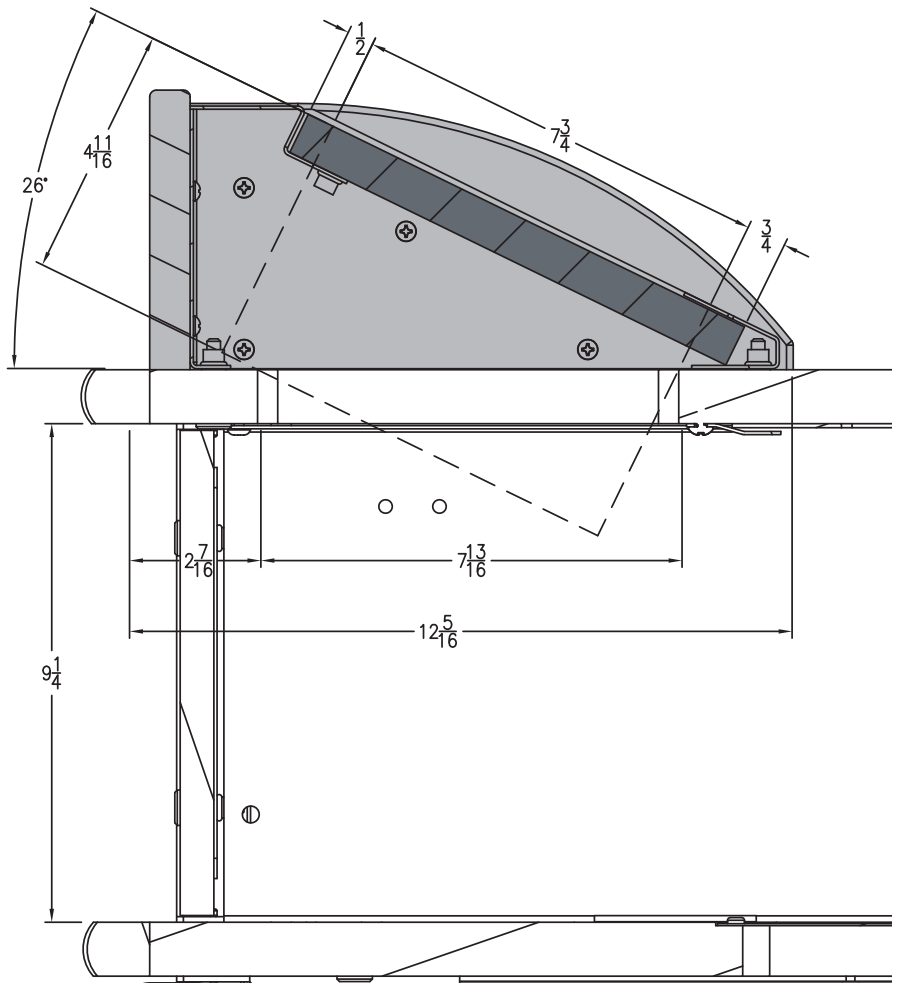


Masters overbridge panel blank  
(flat view)

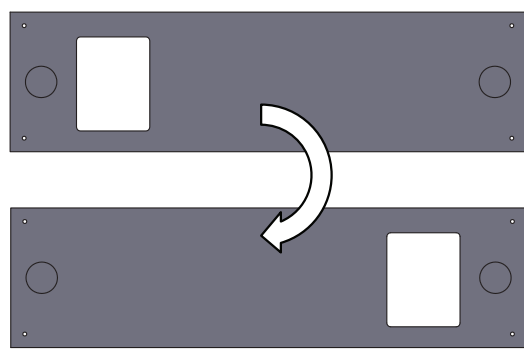


Note: The Overbridge Control Console™ has been designed for many of the currently available controllers on the market, however, modified cutouts should be reviewed by Spectrum to ensure clearance of brackets, keyboard slides, or other objects under the worksurface.

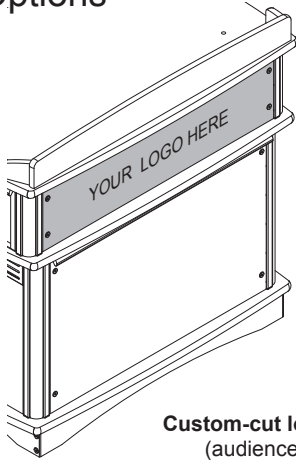
overbridge section view



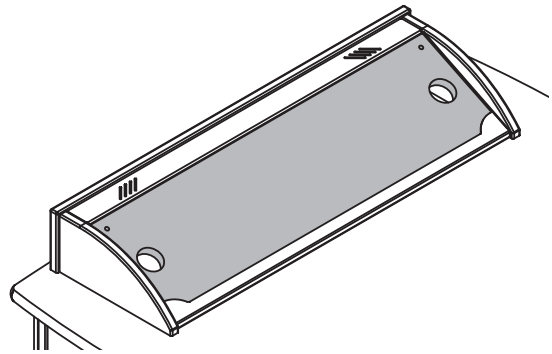
Note: The insert panel shown (*shaded*) is not included with the lectern or overbridge. This option needs to be ordered separately to complete the overbridge. This insert panel is horizontally symmetrical and can be easily removed, rotated, and re-installed if a cutout needs to be relocated to the opposite side of the overbridge.



# Options

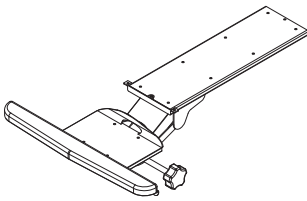


**Custom-cut logo panel**  
(audience-side)  
36<sup>7</sup>/<sub>8</sub>"W x 9"H  
55252

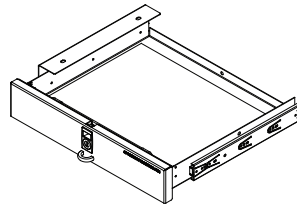


**Overbridge Insert Panel**  
for overbridge version only-contact Spectrum to specify cutout size(s) and location(s)-overbridge not available separately (includes two 2" grommets with covers)  
96507 - blank panel  
96507mod - panel with cutout(s)

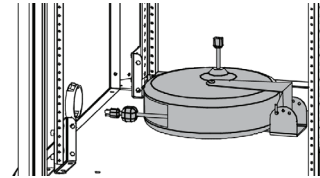
Note: Lectern will accommodate (one) keyboard tray or (one) keyboard drawer.



**Adjustable Econo Keyboard Tray**  
18<sup>5</sup>/<sub>8</sub>"W  
(max 1 per unit)  
95520 - standard lectern (17<sup>3</sup>/<sub>4</sub>"D)  
95531 - overbridge lectern (12"D)



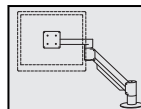
**Keyboard Drawer**  
with flip-down front  
18<sup>3</sup>/<sub>4</sub>"W x 16"D x 13<sup>3</sup>/<sub>16</sub>"H  
(height measured between drawer bottom and worksurface)  
(max 1 per unit-keyed same as drawer and front door)  
55247



**Retractable Cord Reel**  
15' retractable, 15-amp, 12 AWG,  
with breaker, UL listed  
99029

Note: 95531 comes with a shorter 12"D keyboard slide and should be specified for overbridge version lecterns.

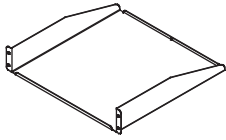
Note: When installed, the optional cord reel takes up 3RU from the bottom of the rack rail.



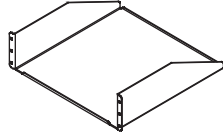
**Flat Panel Monitor Arms & Tablet Mounts**  
(See the Spectrum website or catalog for the latest available monitor arm & tablet mounting options)



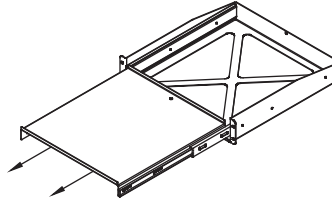
# Rack-mount accessories



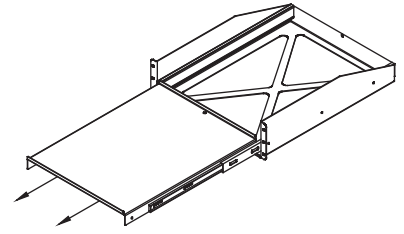
**Cantilever Shelf (2RU)**  
 17½"W x 18"D x 3½"H  
 (50 lbs max load)  
 97504



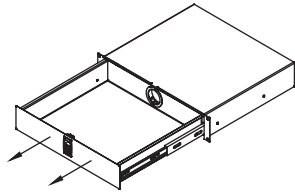
**Cantilever Shelf (3RU)**  
 17½"W x 18"D x 5¼"H  
 (80 lbs max load)  
 97502



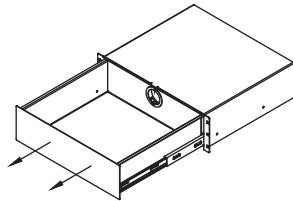
**Pull-Out Shelf (2RU)**  
 16½"W x 17¼"D  
 (50 lbs max load)  
 97505



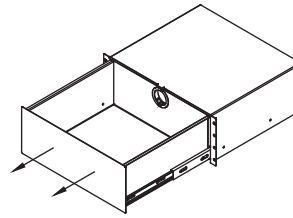
**Pull-Out Shelf (3RU)**  
 16½"W x 21¼"D  
 (80 lbs max load)  
 97503



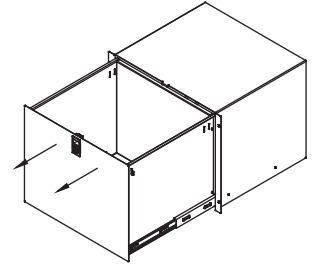
**Locking Drawer (2RU)**  
 interior dims:  
 15¾"W x 13¼"D x 2⅞"H  
 (25 lbs max load)  
 97514



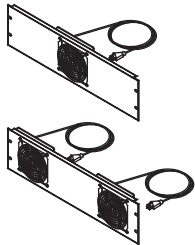
**Drawer (3RU)**  
 interior dims:  
 15⅙"W x 14½"D x 5¼"H  
 (50 lbs max load)  
 97518



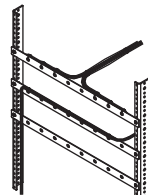
**Drawer (4RU)**  
 interior dims:  
 15⅙"W x 14½"D x 7"H  
 (50 lbs max load)  
 97519



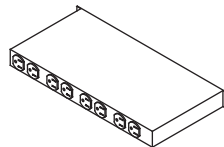
**Locking File Drawer (8RU)**  
 with file holder  
 interior dims:  
 15¾"W x 13⅞"D x 13⅞"H  
 (50 lbs max load)  
 97515



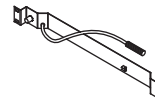
**Cooling Fans (3RU)**  
 19"W x 2"D x 5¼"H  
 Single Fan-97507  
 Double Fan-97506



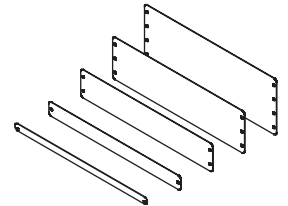
**Wire Lace Kit**  
 3 lace straps included  
 95517



**9-Outlet Power Strip (1RU)**  
 19"W x 9"D x 1¼"H  
 99021

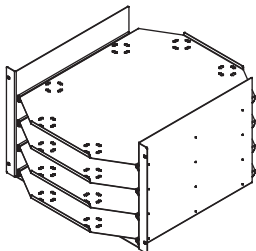


**Flexible Halogen Light (1RU)**  
 19"W x 2"D x 1¼"H  
 99033



**Rack-Mount Blanks**  
 (fills rack spaces where components are not needed)

- 97516 - (½ RU)
- 97510 - (1RU)
- 97511 - (2RU)
- 97512 - (3RU)
- 97513 - (4RU)



**LT-4 Laptop Storage Unit (7RU)**  
 (stores 4 laptops horizontally)  
 laptop tray dims:  
 16¼"W x 20½"D x 2⅞"H  
 97517

# Warranty

## WE WILL MAKE IT RIGHT FOR YOU!

Spectrum is committed to provide complete customer satisfaction. Each of our products is manufactured from the best materials available and each product is stringently monitored throughout the production process through our P.A.C.E. program (Product Assurance to meet Customer Expectations).

We expressly warrant that Spectrum products will be of good quality and workmanship and free from defect for the period set out in the warranty table below from the date of delivery. This warranty shall not apply to defects or damage resulting from misuse, abuse, neglect, improper care, modification or repair not authorized by Spectrum, or any other cause outside the control of Spectrum. Spectrum will, at its sole option, either repair or replace the defective product.

This warranty is exclusive; no other warranty, written or oral, is expressed or implied. This warranty is given by Spectrum to Buyer and to no other person or legal entity. No Spectrum dealer, distributor, agent or employee is authorized to make any modification or addition to this warranty.

**NOTWITHSTANDING ANYTHING TO THE CONTRARY, SPECTRUM WILL NOT UNDER ANY CIRCUMSTANCES BE LIABLE FOR INDIRECT OR LIQUIDATED DAMAGES, INCLUDING CONSEQUENTIAL, INCIDENTAL AND SPECIAL DAMAGES. IN NO EVENT SHALL SPECTRUM'S LIABILITY, WHETHER UNDER CONTRACT OR WARRANTY, IN TORT OR OTHERWISE, EXCEED THE PURCHASE PRICE RECEIVED BY SPECTRUM FOR THE PRODUCT AT ISSUE AND "RECALL ACTION" EXPENSES. SPECTRUM SHALL NOT BE SUBJECT TO ANY OTHER OBLIGATIONS OR LIABILITIES, WHETHER ARISING OUT OF BREACH OF CONTRACT, WARRANTY, TORT (INCLUDING NEGLIGENCE AND STRICT LIABILITY) OR OTHER THEORIES OF LAW, WITH RESPECT TO PRODUCTS SOLD OR SERVICES RENDERED BY SPECTRUM, OR ANY UNDERTAKINGS, ACTS OR OMISSIONS RELATING THERETO.**

Our Customer Service Department is ready to provide immediate attention to any questions, comments or concerns. They are available to answer your calls Monday through Friday from 7 am to 5 pm CST. In addition your product comments or concerns are welcome via e-mail at: [spectrum@spectrumfurniture.com](mailto:spectrum@spectrumfurniture.com).

Warranty Table

Item	Warranty Period
• Adjustable Crank/Electric Desk Legs	• 1 Year
• Flat Panel Desk Gas Cylinders	
• Adjustable Height Chair Parts – including frames, gas cylinders, wood and plastic parts, and control handles Adjustable Height Chair Parts Casters	• 7 Years
• Adjustable Height Chair Upholstery	• 2 Years
• In-Stock Upholstery	• 2 Years
• Graded-In Fabrics and Customer Owned Material	• No Warranty
• Height Adjustable Columns and Lifts	• 1 Year
• General Use Casters	
• Electrical	
• Keyboard/Mouse Trays	
• Flat Panel Monitor Arm – General Parts	• 5 Years
• Flat Panel Monitor Arm – Gas Cylinders	• 2 Years
• Computer Desk Chassis	• 10 Years
• Cart Chassis	
• Lectern Chassis	



205 Westwood Ave, Long Branch, NJ 07740  
 Phone: 866-94 BOARDS (26273) / (732)-222-1511  
 Fax: (732)-222-7088 | E-mail: [sales@touchboards.com](mailto:sales@touchboards.com)



**INDOOR AIR QUALITY**  
 Indoor Advantage | Furniture

