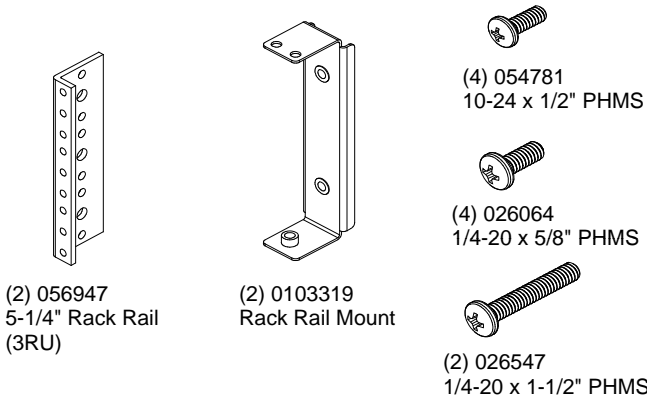
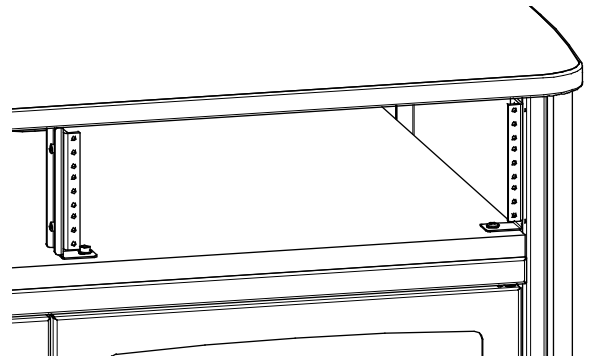


Assembly Instructions:



Tools Required:
Phillips screwdriver



Rack Rail Kit-Media Director V2 #55266

Before you begin, please make sure all parts and proper quantities are included. Any parts damaged during shipment must be reported within 15 days of receipt. To report information regarding damages or if you have any questions, please call 1-800-235-1262.

1. Attach Rack Rail Mounts

- Determine the preferred side of the lectern the rack rail will be mounted (left or right.)
(Figure 1 shows a left-sided installation.)
- Remove any worksurface hole plugs at the Rack Rail location.
- Attach the Rack Rail Mounts with the fasteners shown.

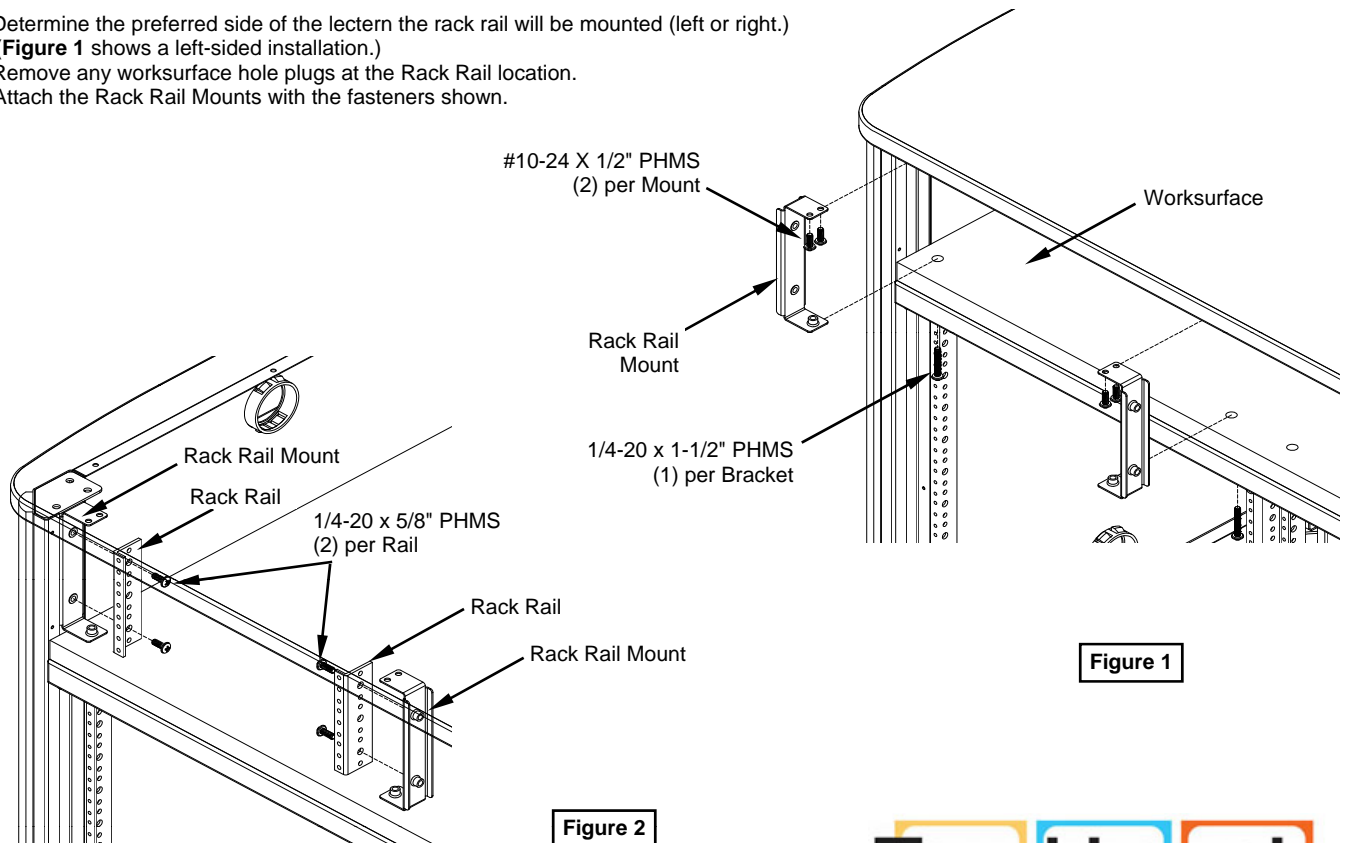


Figure 1

Figure 2

2. Attach Rack Rails

- Attach each Rack Rail to the Rack Rail Mounts with (2) 1/4-20 x 5/8" PHMS. Figure 2.

Touchboards

205 Westwood Ave, Long Branch, NJ 07740
Phone: 866-94 BOARDS (26273) / (732)-222-1511
Fax: (732)-222-7088 | E-mail: sales@touchboards.com