

# Assembly Instructions

## ⚠ Important ⚠

Before you begin, read and comply with all safety and operating instructions, and ensure all parts and correct quantities are included.

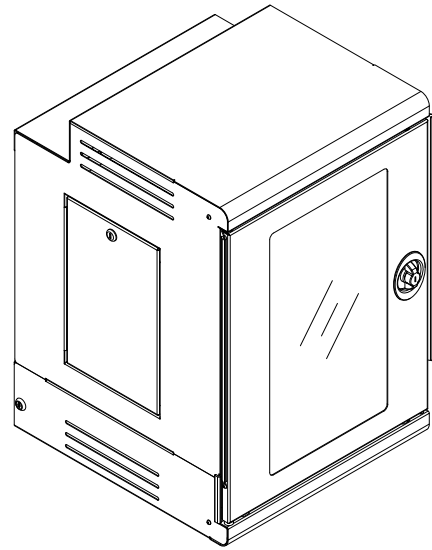
Any parts damaged during shipment must be reported within 5 days of receipt. To report information regarding missing parts or damage, to purchase parts or accessories, or if you have any questions, please contact us.

[www.spectrumfurniture.com](http://www.spectrumfurniture.com)  
800-235-1262, 715-723-6750

*Thank you for purchasing Spectrum products!*

The removable rack cabinet (14RU front, 10RU rear) simplifies installation and provides the ability to integrate equipment remotely, and dock into the lectern at a later date.

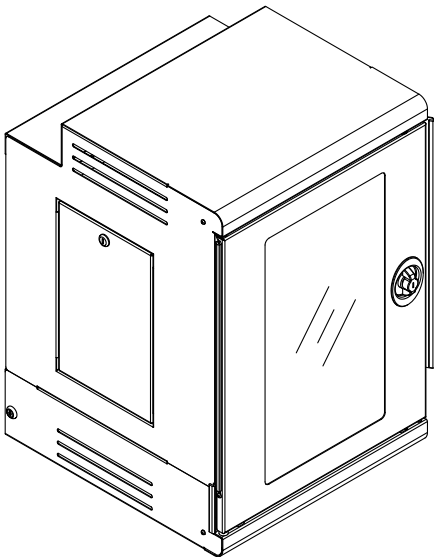
Note: Roller glides under the cabinet provide easy repositioning for quick and easy access (not intended for long-range transport).



**Rack Cabinet  
for Freedom XRS Elite  
55297**

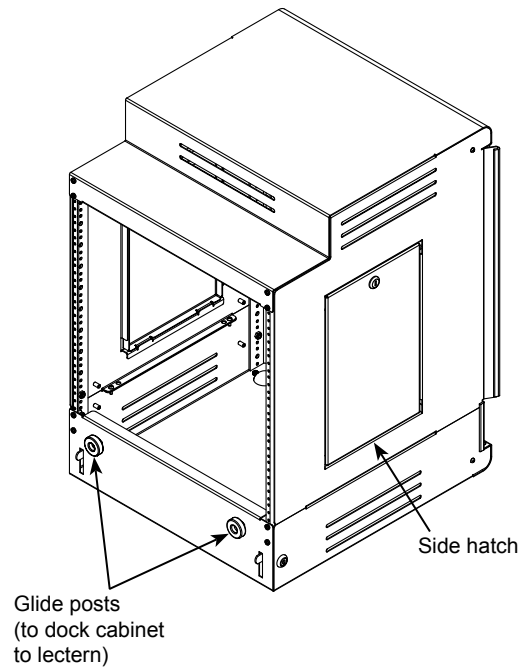
## Rack Cabinet

Cabinet front  
(instructor-side)



**Figure 1**

Cabinet rear  
(open-back)



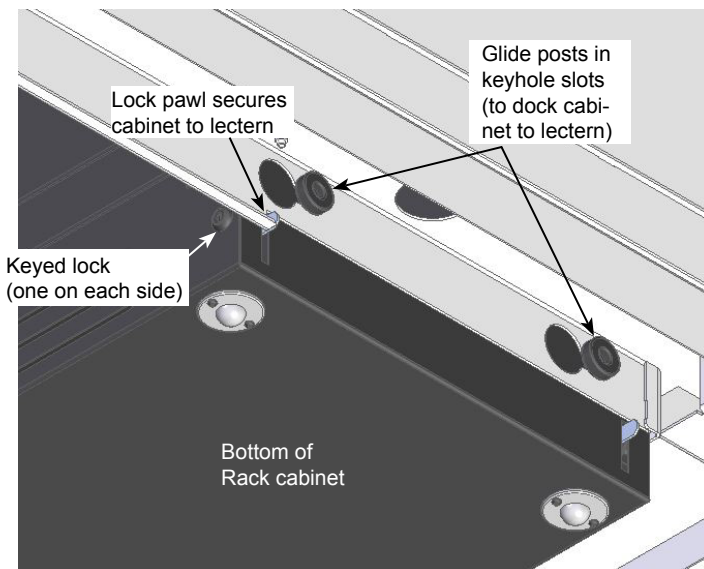
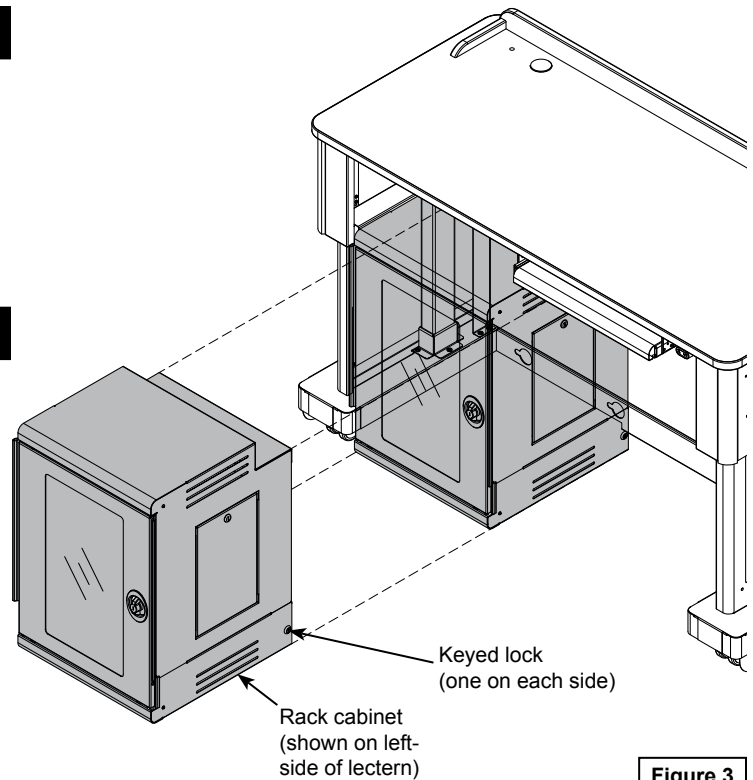
**Figure 2**

## Docking Cabinet

1. To secure the rack cabinet to the lectern, position the cabinet on the left, or right-side of the lectern. **Figure 3.**
2. Engage the keyhole slots and slide the cabinet toward the outside leg of the lectern to secure.
3. Lock the cabinet lock pawl near the floor.

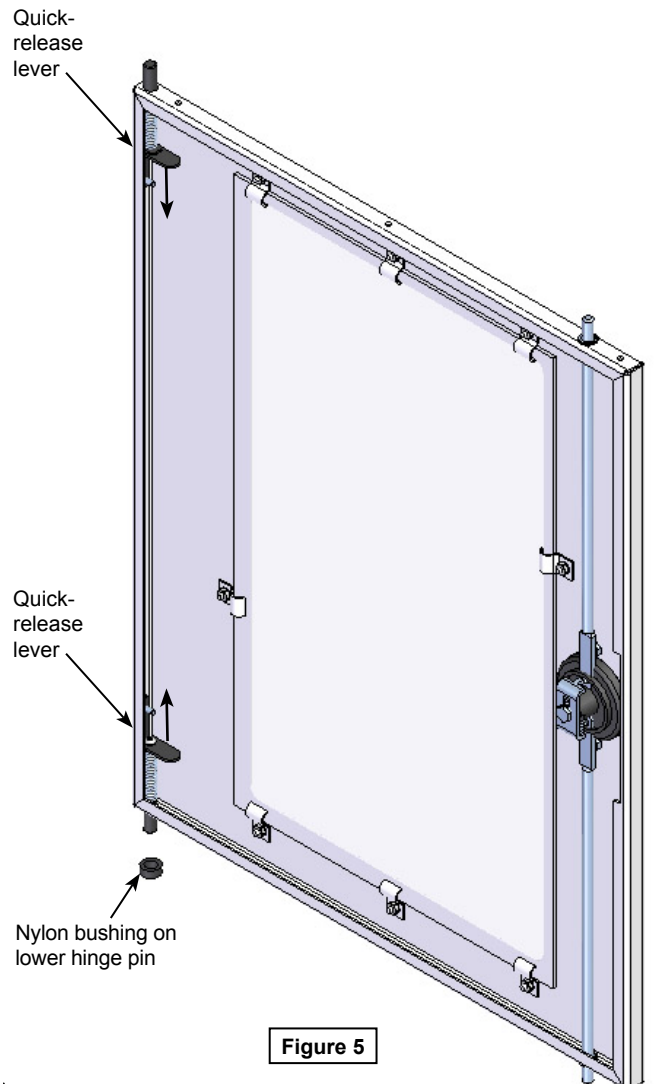
## Detaching Cabinet

1. To detach the rack cabinet from the lectern, unlock the cabinet lock pawl near the floor. **Figure 4.**
2. Slide the cabinet toward the center of the lectern to release the cabinet from the keyhole slots.



## Quick-Release Door

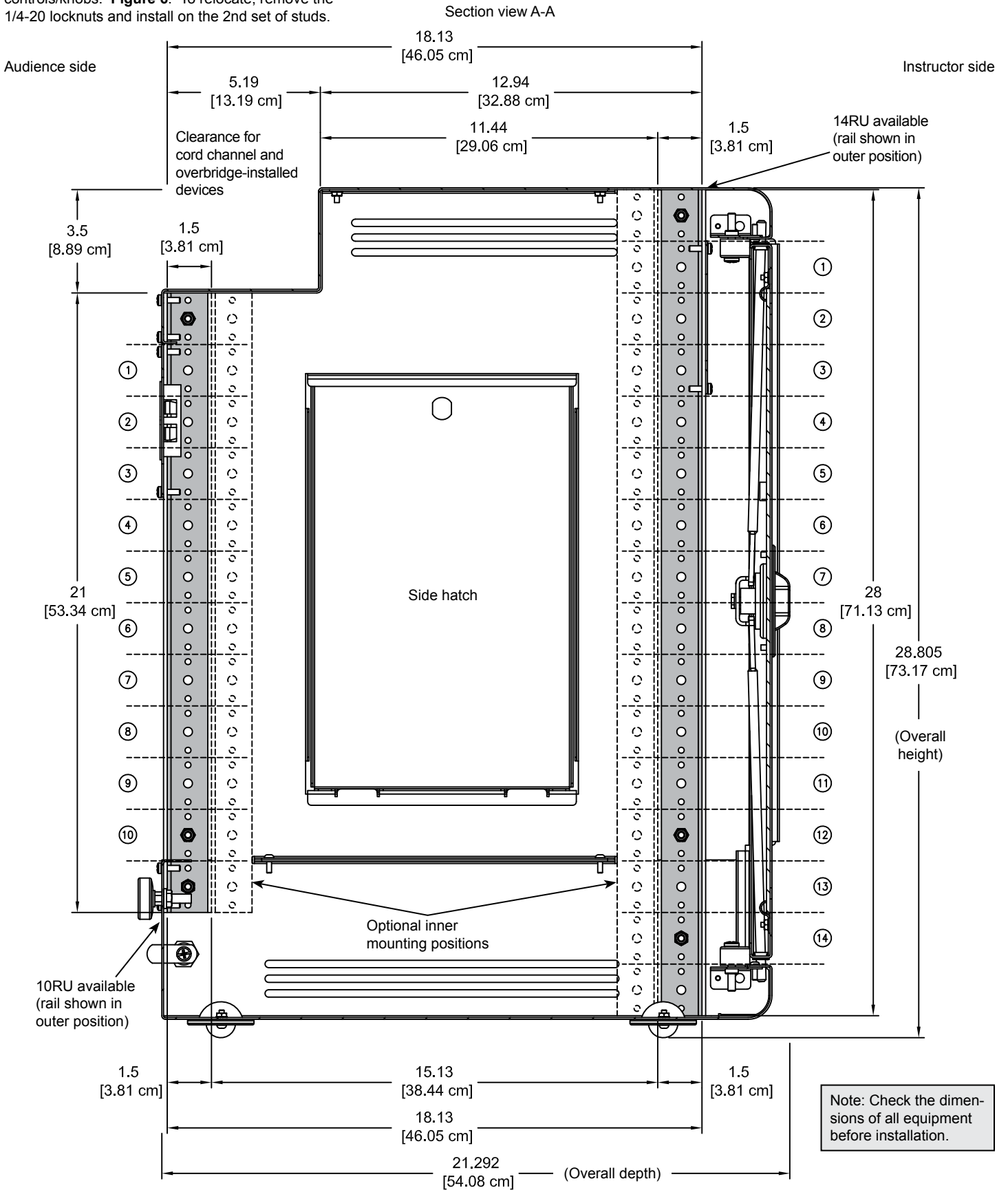
The symmetrical door can easily be removed or switched to be hinged from left or right using the quick-release hinge lever located on the door. **Figure 5.** If switching sides, the nylon bushing must be relocated to the lower hinge pin.



# Rack Rails

**Tools Required**  7/16" or Adjustable wrench

If necessary, the rack rails can be repositioned to accommodate rack-mount components with protruding controls/knobs. **Figure 6.** To relocate, remove the 1/4-20 locknuts and install on the 2nd set of studs.

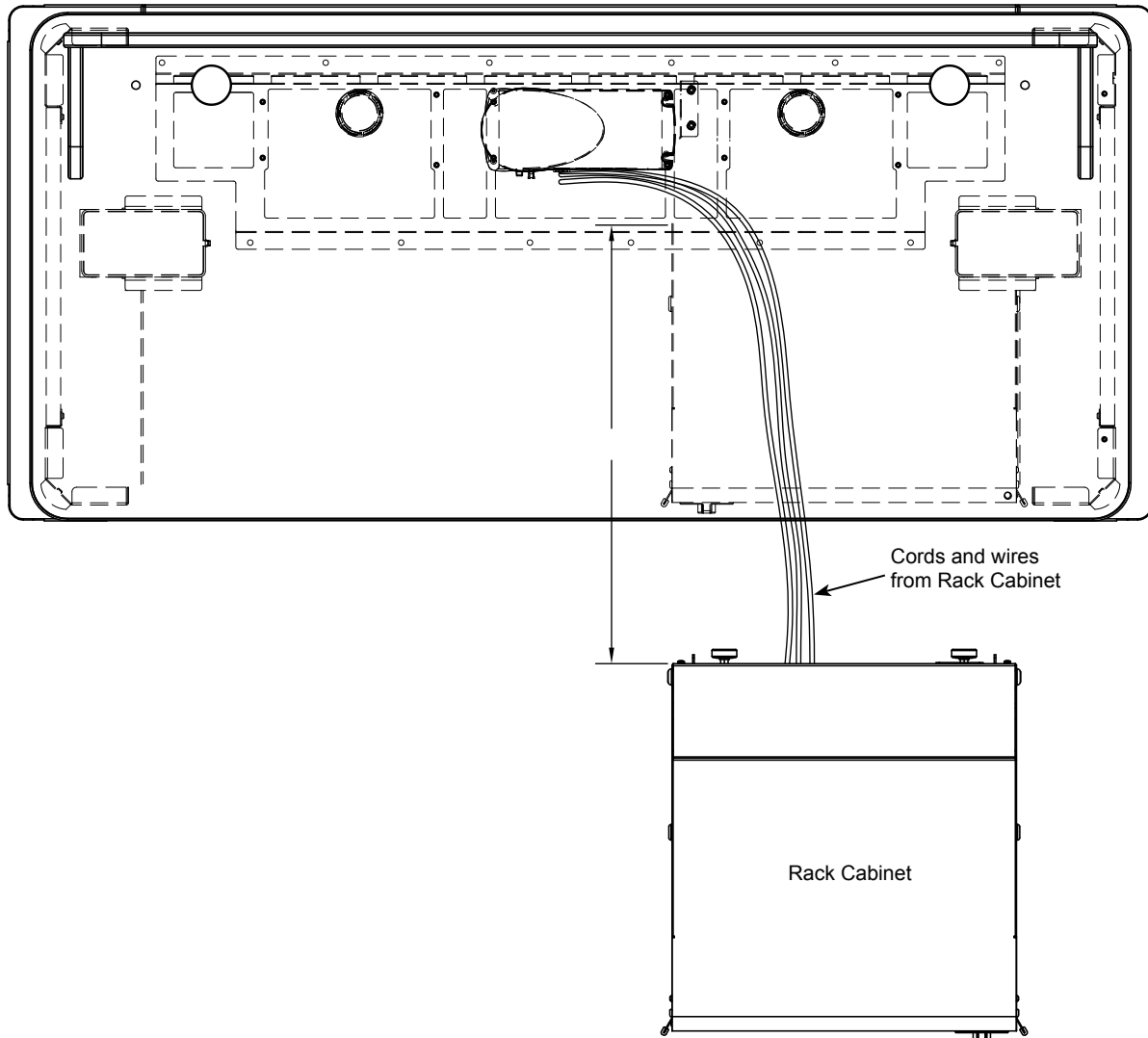


Note: Check the dimensions of all equipment before installation.

**Figure 6**

## Wiring

Leave enough slack in the cords and wires from the rack cabinet to pull the rack cabinet out from the lectern. **Figure 7.**



**Figure 7**