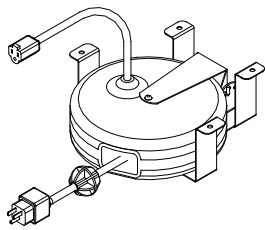


Assembly Instructions

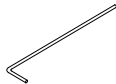
To purchase parts or accessories, please contact us at
www.spectrumfurniture.com
 1-800-235-1262

Thank you for purchasing Spectrum products!

Before you begin, please make sure all parts and proper quantities are included. Any parts damaged during shipment must be reported within 15 days of receipt. To report information regarding damages or if you have any questions, please call 1-800-235-1262.



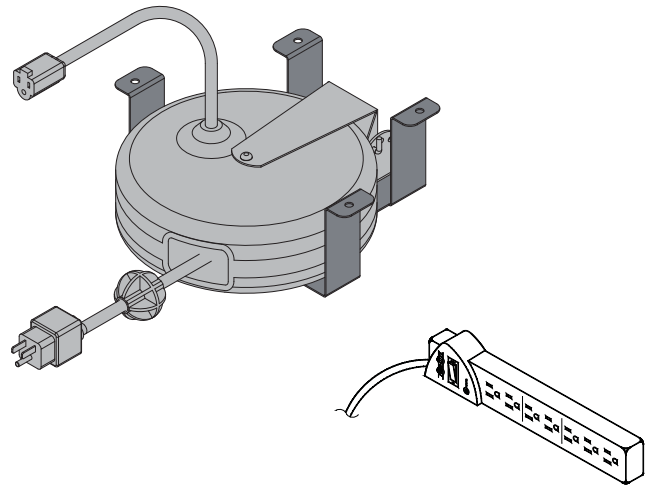
(1) 0106111
15-amp Cord Reel



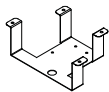
(1) connector pin
(included with reel)



(1) cord reel bracket
(included with reel)



Retractable Cord Reel / Power Strip Kit #55403



(1) 053448
cord reel mount



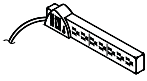
(2) 021601
10-24 x 1/2" THMS



(2) 021564
10-24 locknut



(4) 026064
1/4-20 x 5/8" PHMS
(for use on Academic
Lectern only)



(1) 0106520
6-outlet power strip



(4) 0101382
#14 x 7/8" PHSM screw



(1) 052309-10
2" x 6" self-adhesive
hook & loop strips



(1) 0107023
snap-in pine tree clips



Tools Required



Phillips
Screwdriver



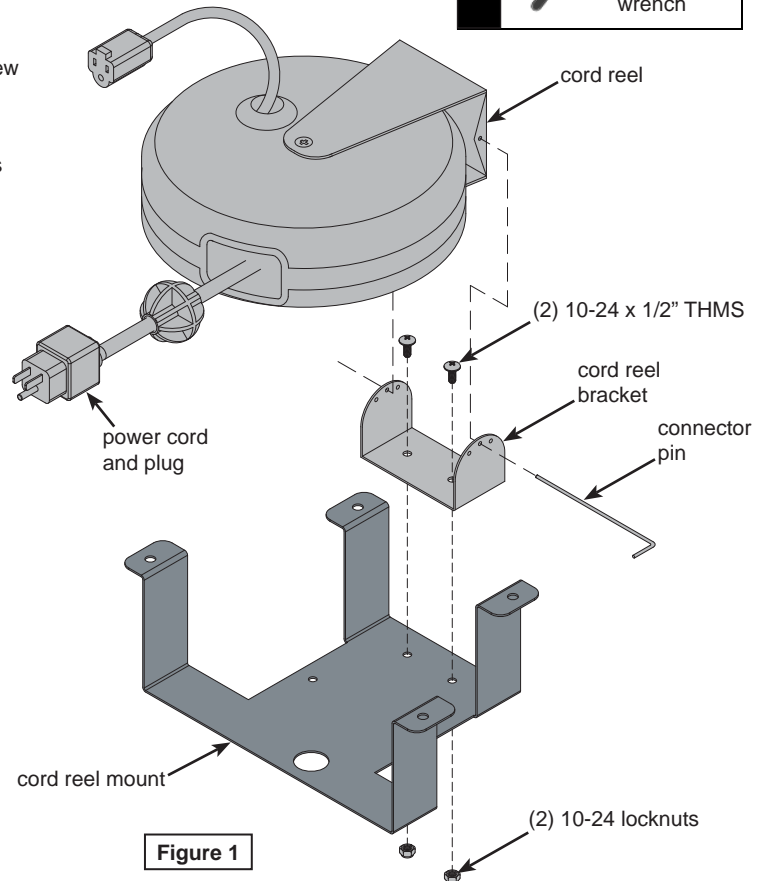
Pliers



7/16" or
adjustable
wrench

Assemble cord reel

1. Attach the cord reel bracket to the cord reel mount using (2) 10-24 x 1/2" THM screws and (2) 10-24 locknuts. **Figure 1.**
2. Using the connector pin, attach the cord reel as shown to the cord reel bracket.
3. Using pliers, bend the end of the connector pin to a 90° angle to secure the assembly.



Touchboards

205 Westwood Ave, Long Branch, NJ 07740
 Phone: 866-94 BOARDS (26273) / (732)-222-1511
 Fax: (732)-222-7088 | E-mail: sales@touchboards.com

Attach cord reel to lectern

1. With the lectern completely unloaded, carefully tip the unit on its side to gain access to the underside of the base panel. This may take two people to do safely.
2. Route the upper power cord through the base panel grommet. The snap-in clip can be used to secure to the base panel if needed.
3. Align and attach the cord reel assembly to the base panel mounting holes using (4) #14 x 7/8" PHSM screws. **Figure 2.**
4. Carefully tip the unit back upright.

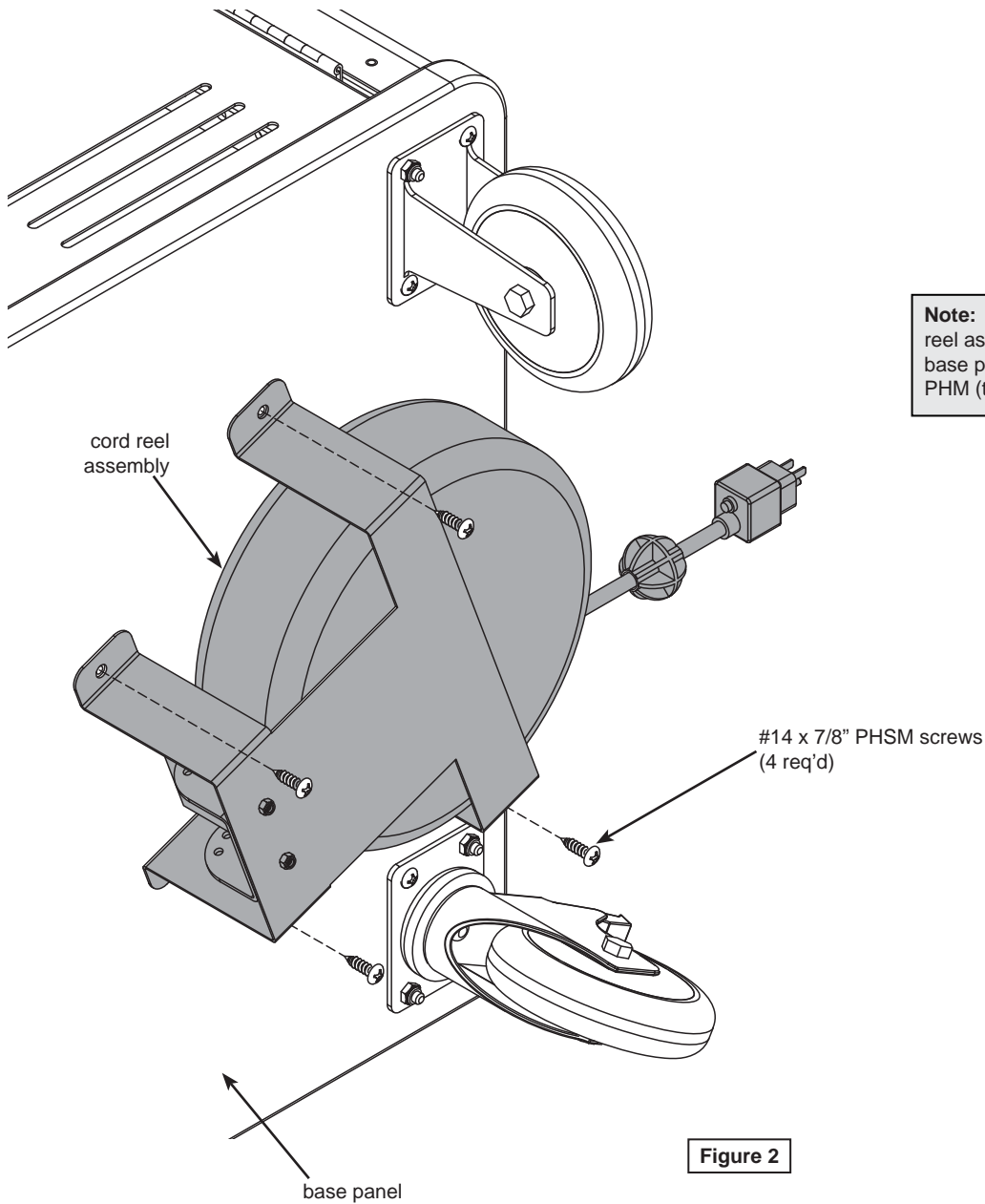


Figure 2

Power strip

1. Power strips are typically attached to base or side panels inside the cart / lectern. Determine the best location for your application while making sure the power strip will not interfere with any rack-mount equipment or other items inside the unit.
2. Attach the power strip inside the unit to the base panel or one of the side panels using the self-adhesive hook & loop strips.
3. Plug the power strip cord into the cord reel.

Cord reel operation

Operating Instructions:

1. To latch cord - Pull cord out to full length. Allow the cord to retract 1-2 feet back into the reel. Pull the cord out slowly. When a 'click' is heard, the cord will latch in place.
2. Plug into 110-125V (single phase), 3-conductor wall outlet.
3. To release cord - Unplug from wall outlet. Pull cord out slowly until clicking stops. The latch will release and the cord can be guided back into the reel. Do not allow the cord to fly unrestricted back into the reel.
4. Do not overload or circuit breaker (15-amp maximum) will cut off current. To restore power, remove overload, wait two minutes, then reset the circuit breaker by pressing the button on the back of the 3-prong male power plug.

Maintenance:

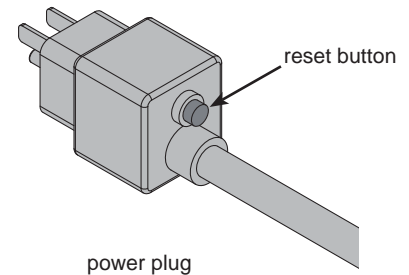
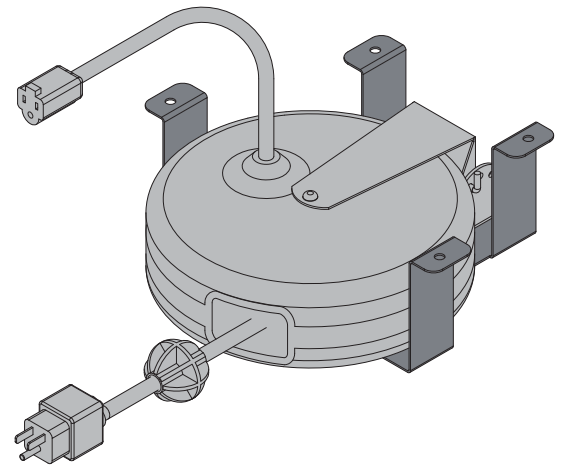
1. Remove dirt and grime as soon as it accumulates on the reel case by using a soft, damp cloth (a mild detergent may be used if needed), being careful not to wet the electrical plug. Never immerse any part of the unit in any solution to clean. **DO NOT** use solvents such as gasoline, turpentine, etc. to clean unit.
2. Keep cord clean to assure smoothest automatic retraction. Simply pull cord to its full length and allow to retract through a dampened rag. Pull out full length again and sprinkle cord with talcum powder.

Specifications:

15' retractable, 15-amp, 12 AWG with breaker, UL Listed

⚠ WARNING ⚠

- This cord reel is intended for general indoor use only. It is not intended to be used in potentially dangerous locations such as flammable or explosive atmospheres. The reel is not waterproof and not intended for use in potentially wet locations.
- Do not overload (15-amp maximum).



Touchboards

205 Westwood Ave, Long Branch, NJ 07740
Phone: 866-94 BOARDS (26273) / (732)-222-1511
Fax: (732)-222-7088 | E-mail: sales@touchboards.com