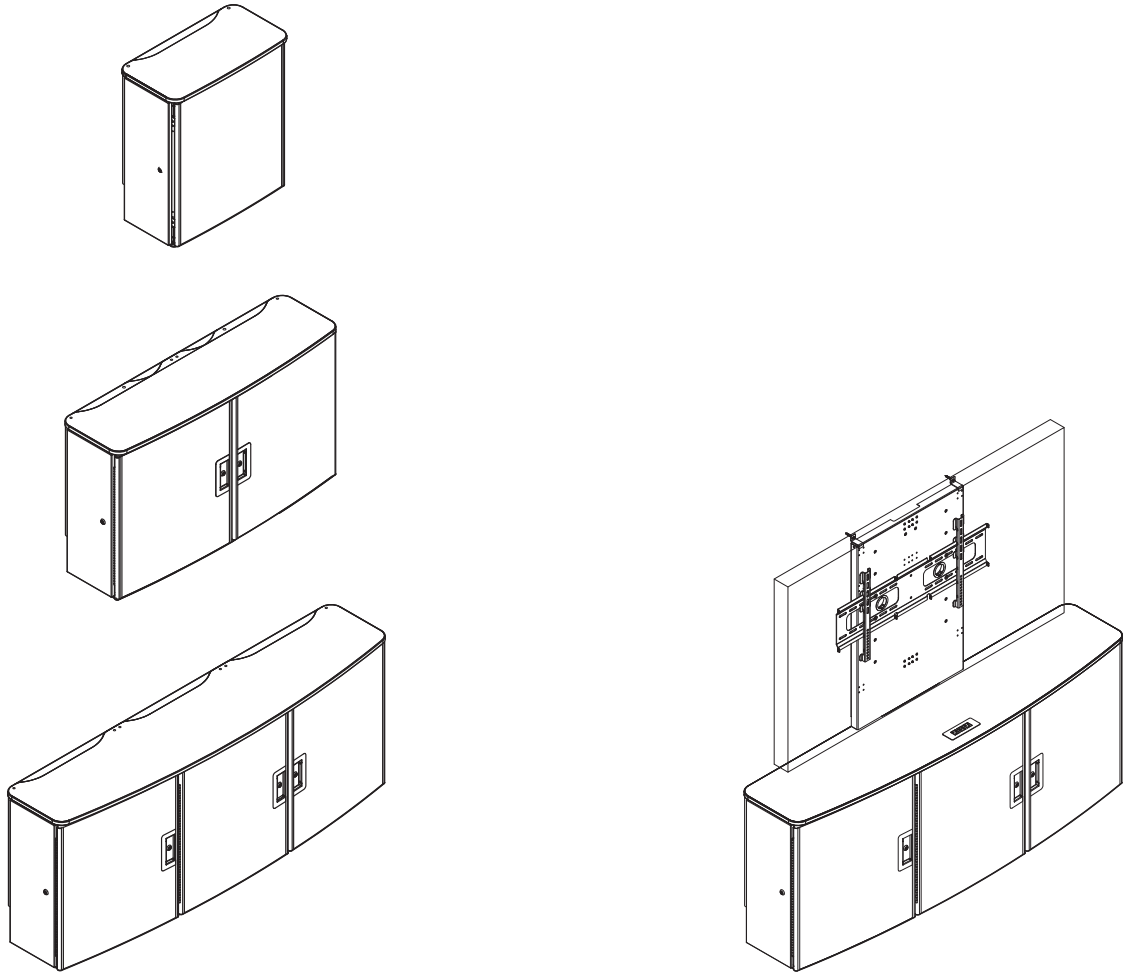


AV Credenza Slim™

55497



Important	Important	Importante
<p>Before using this product:</p> <ul style="list-style-type: none"> • Read this manual • Comply with all safety and operating instructions • Ensure all parts and correct quantities are included <p>Any parts damaged during shipment must be reported within 5 days of receipt. To report information regarding missing parts or damage, to purchase parts or accessories, or if you have any questions, please contact us.</p> <p>Thank you for purchasing Spectrum products!</p>	<p>Avant d'utiliser ce produit:</p> <ul style="list-style-type: none"> • Veuillez à lire ce guide • Respectez les consignes de sécurité et d'utilisation • Vérifiez que vous disposez de toutes les pièces nécessaires à l'installation <p>Les pièces endommagées pendant le transport doivent faire l'objet d'un rapport dans les 5 jours de leur réception. Veuillez prendre contact avec nous si des pièces manquent ou sont abîmées, si vous avez des questions, ou encore pour acheter des pièces ou des accessoires.</p> <p>Merci pour votre achat d'un produit Spectrum!</p>	<p>Antes de utilizar este producto:</p> <ul style="list-style-type: none"> • Lea este manual • Cumpla con todas las instrucciones de prevención de accidentes y operativas • Revise que todas las partes y las cantidades correctas estén incluidas <p>Si alguna parte se dañó durante el embarque, deberá reportarla en un lapso de 5 días a partir de la recepción. Para reportar cualquier información sobre partes faltantes o dañadas, para adquirirlas o comprar accesorios, o bien, si tiene alguna duda, póngase en contacto con nosotros.</p> <p>¡Gracias por adquirir productos Spectrum!</p>

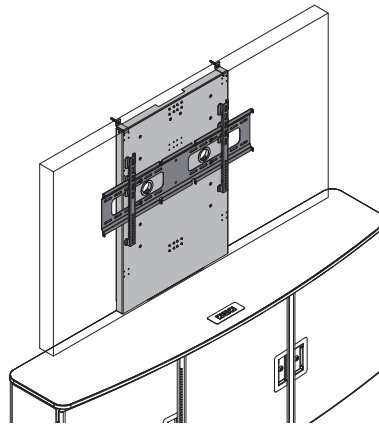


<http://www.spectrumfurniture.com>

Owner's Manual Le manuel du propriétaire El manual del propietario	Specs Spécifications Especificaciones	Video Vidéo Vídeo
--	---	-------------------------

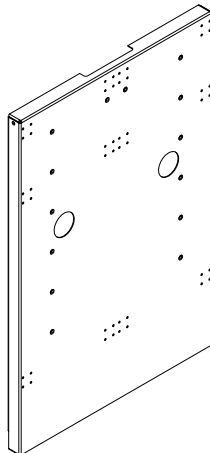


800-235-1262

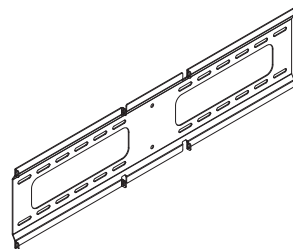


Note: Display stand may or may not be included with your specific configuration.

Components



(1) 0145893
Display Stand



(1) 0119747
Fixed TV mount



(2) 0146027
Upright bar

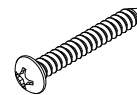
Hardware



(3) 021587
8-32 x 1/2" PHMS



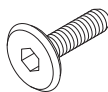
(32) 0100167
8-32 x 1/2" PH thrd
cutting screws



(2) 026436
#8 x 1-1/4" PHSM
screw



(3) 021588
8-32 Keps nut



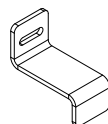
(2) 059534
1/4-20 x 30mm
JC bolt



(4) 052605
1/4-20 x 15mm
JC bolts



(2) 059984
2" Grommet

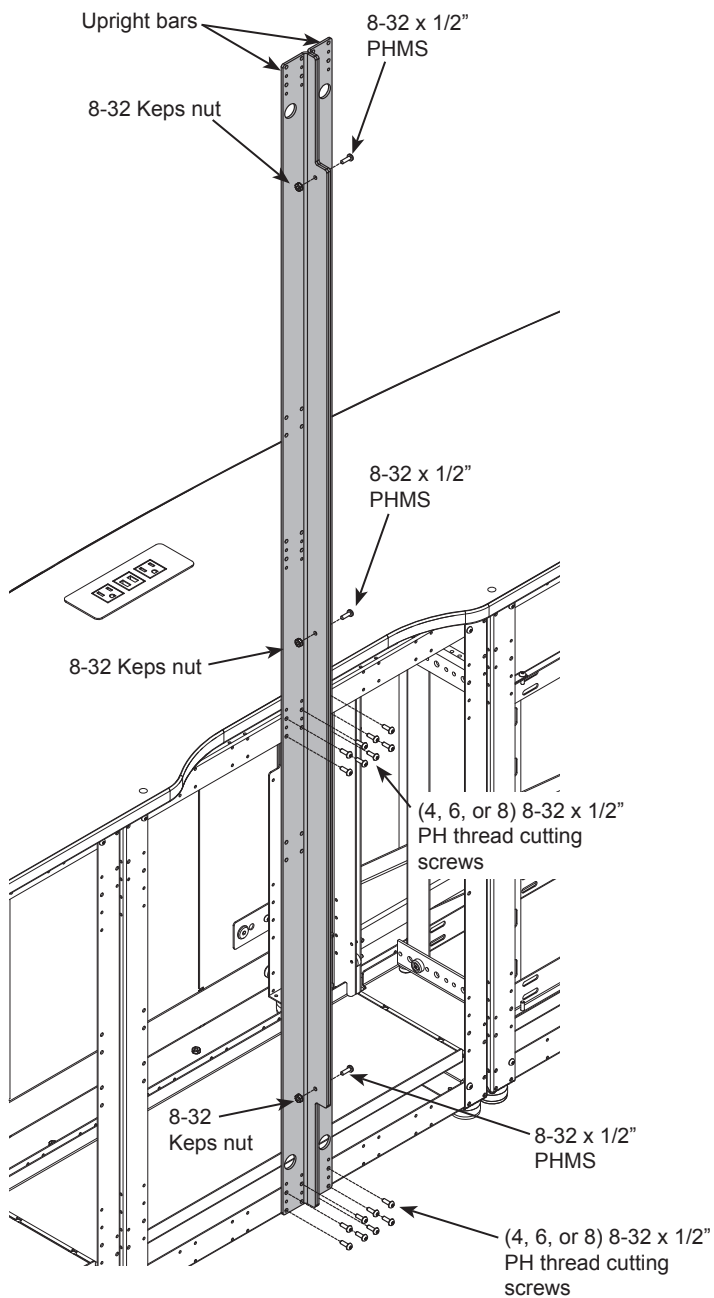


(2) 0148399
Wall bracket



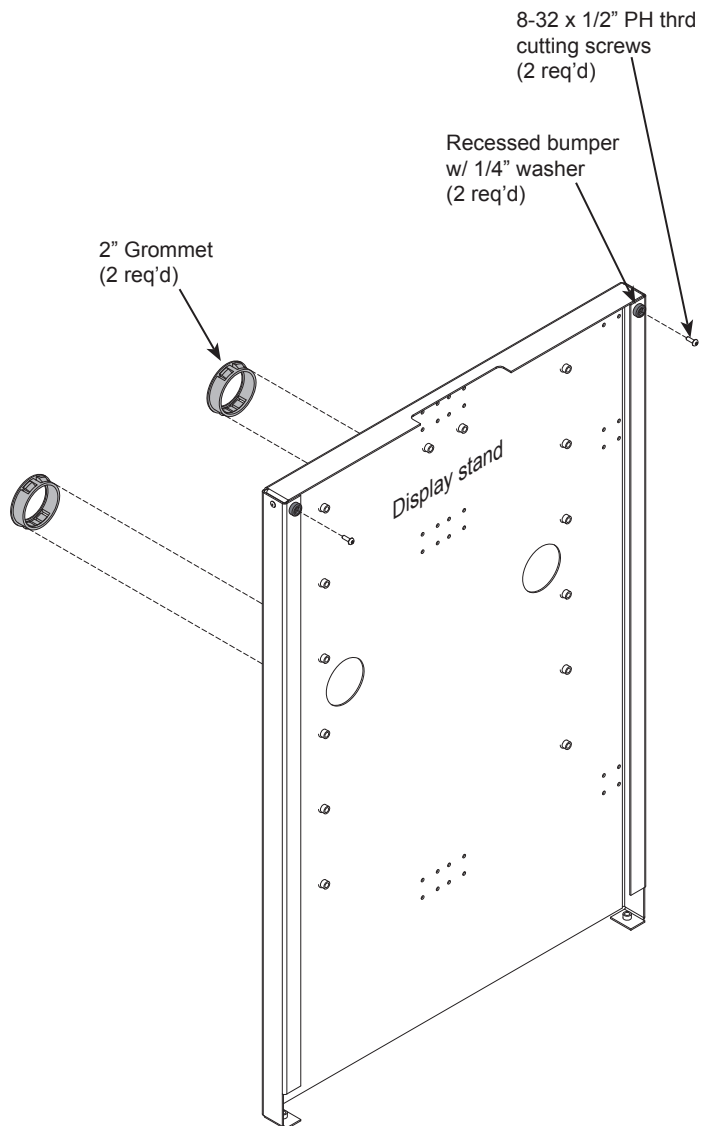
(2) 0119468
Recessed bumper
w/ 1/4" washer

A. Install upright bars

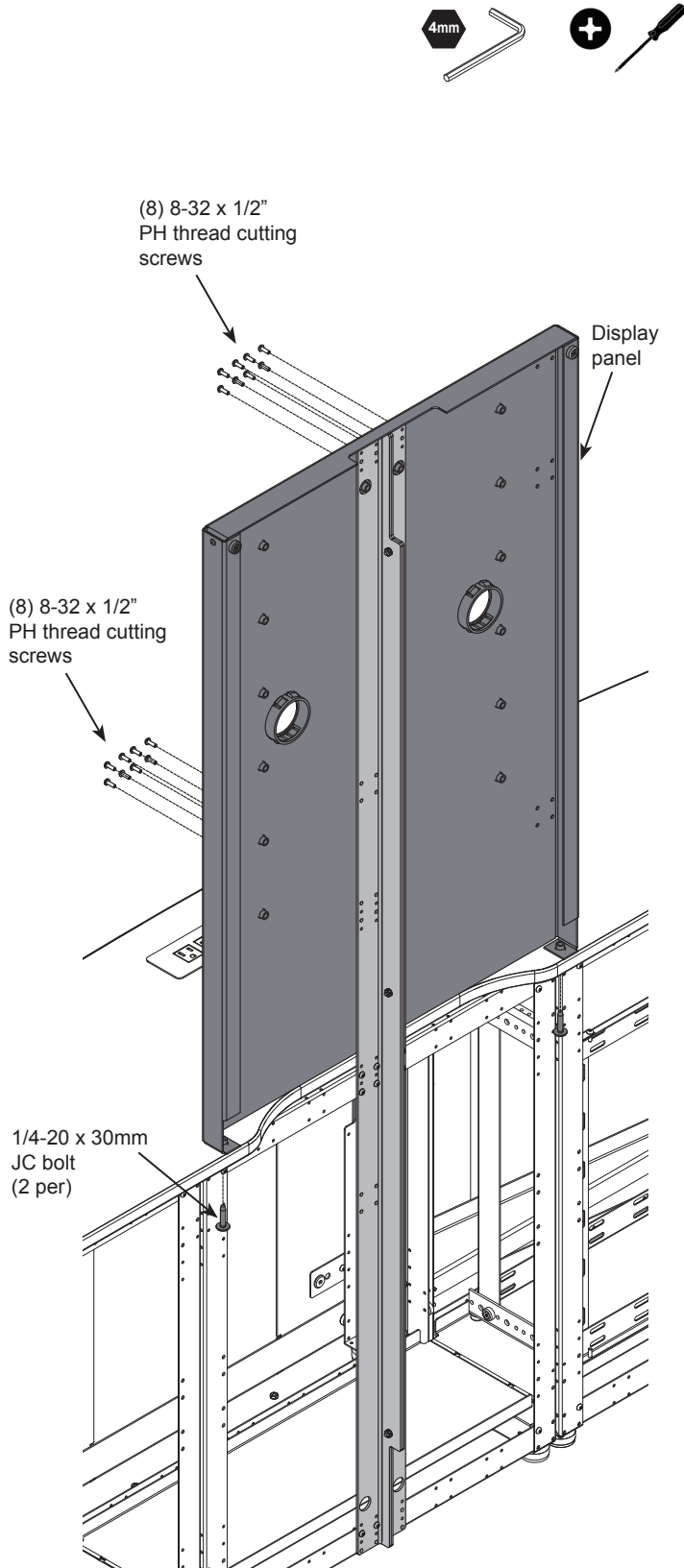


Note: (4, 6, or 8) 8-32 x 1/2" PHM screws may be used at each upright bar attachment point depending on bay configuration (1, 2, or 3-bay). Be sure a minimum of (4) are used at each location.

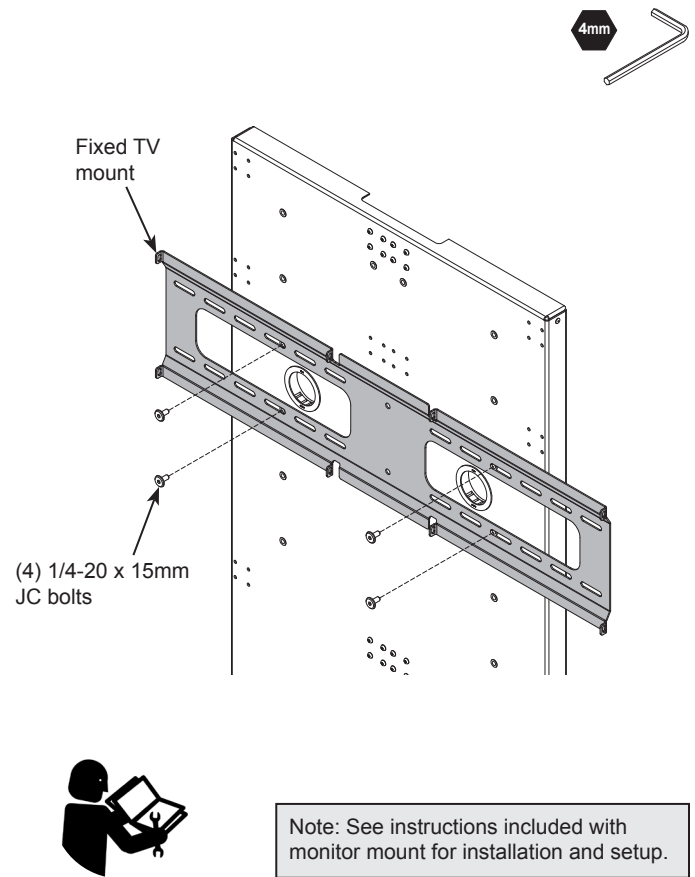
B. Install bumpers & grommets



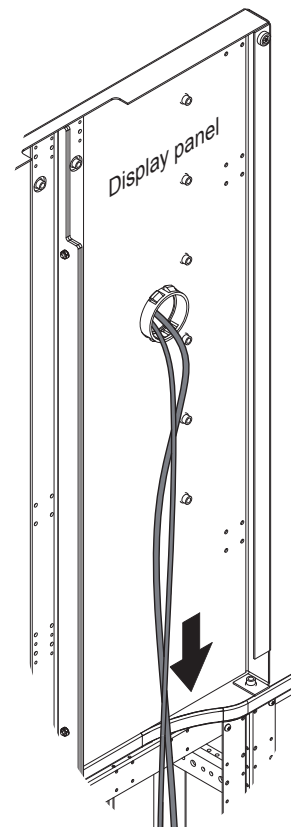
C. Install display stand



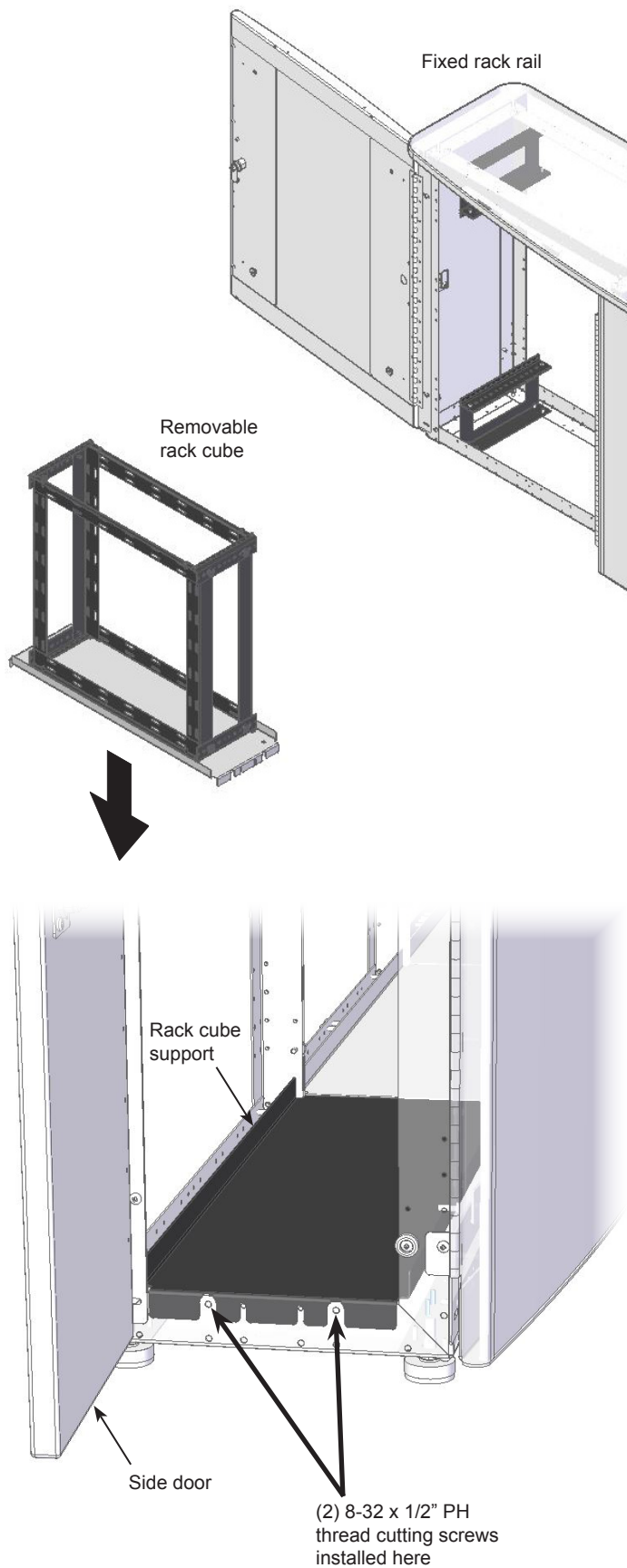
D. Install mount & monitor



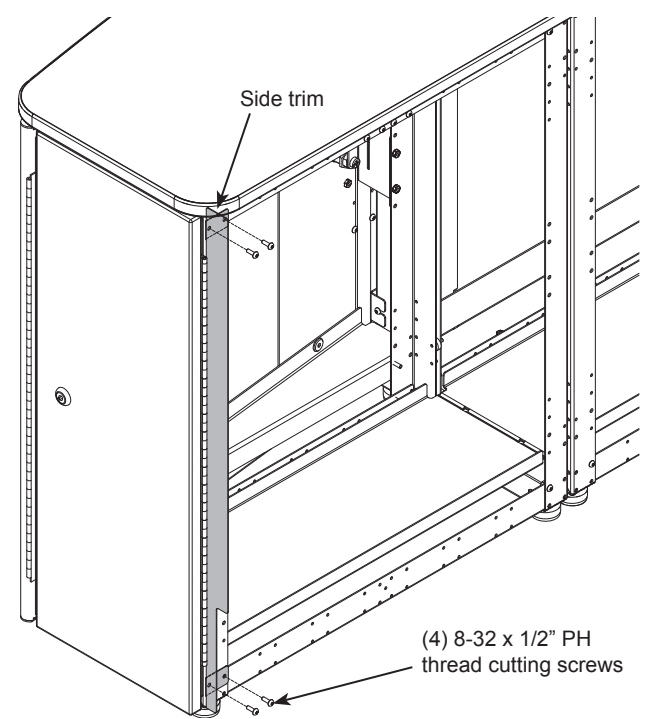
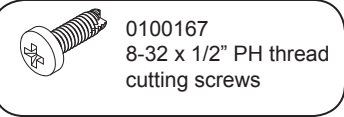
E. Route wires



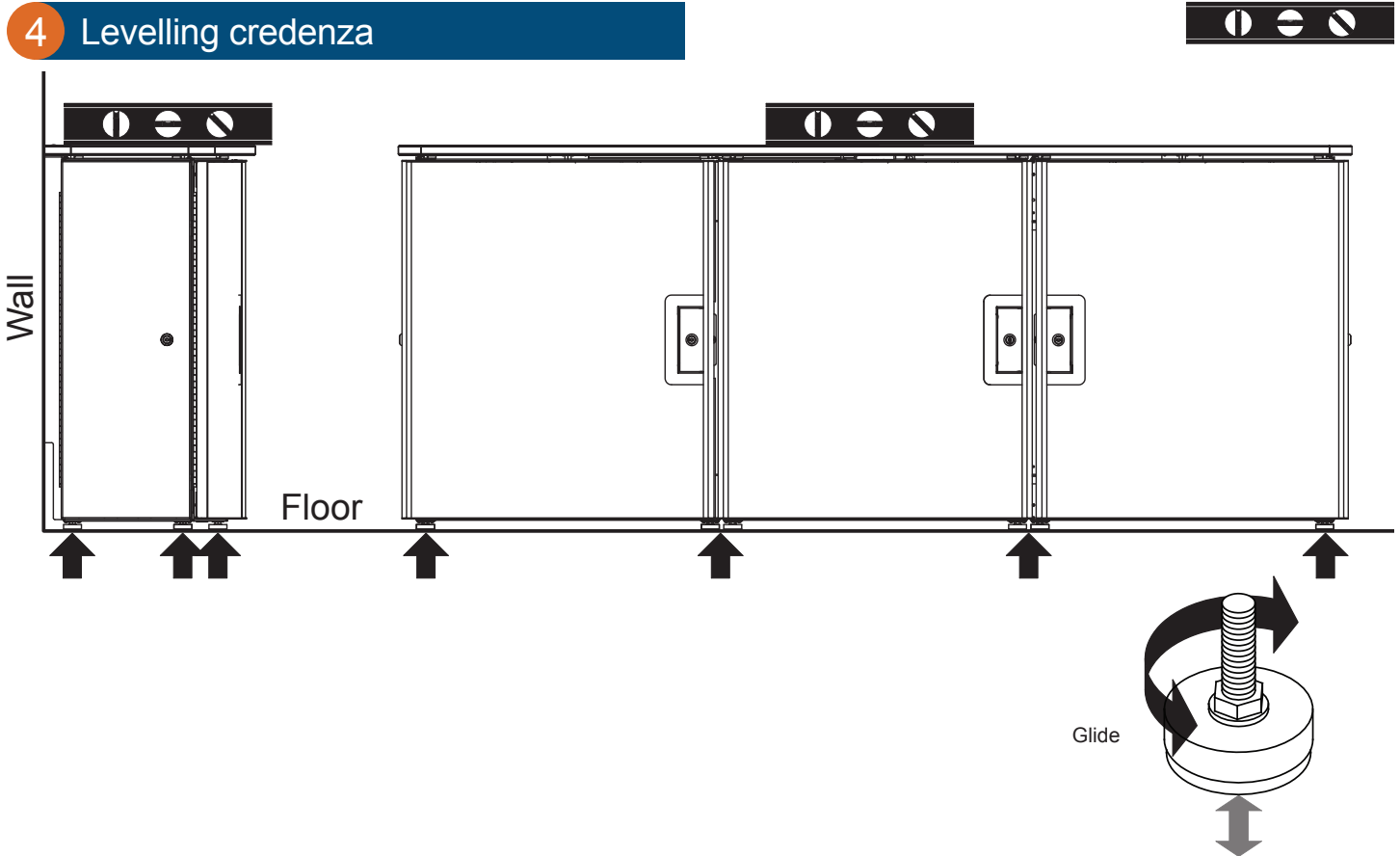
2 Install rack equipment



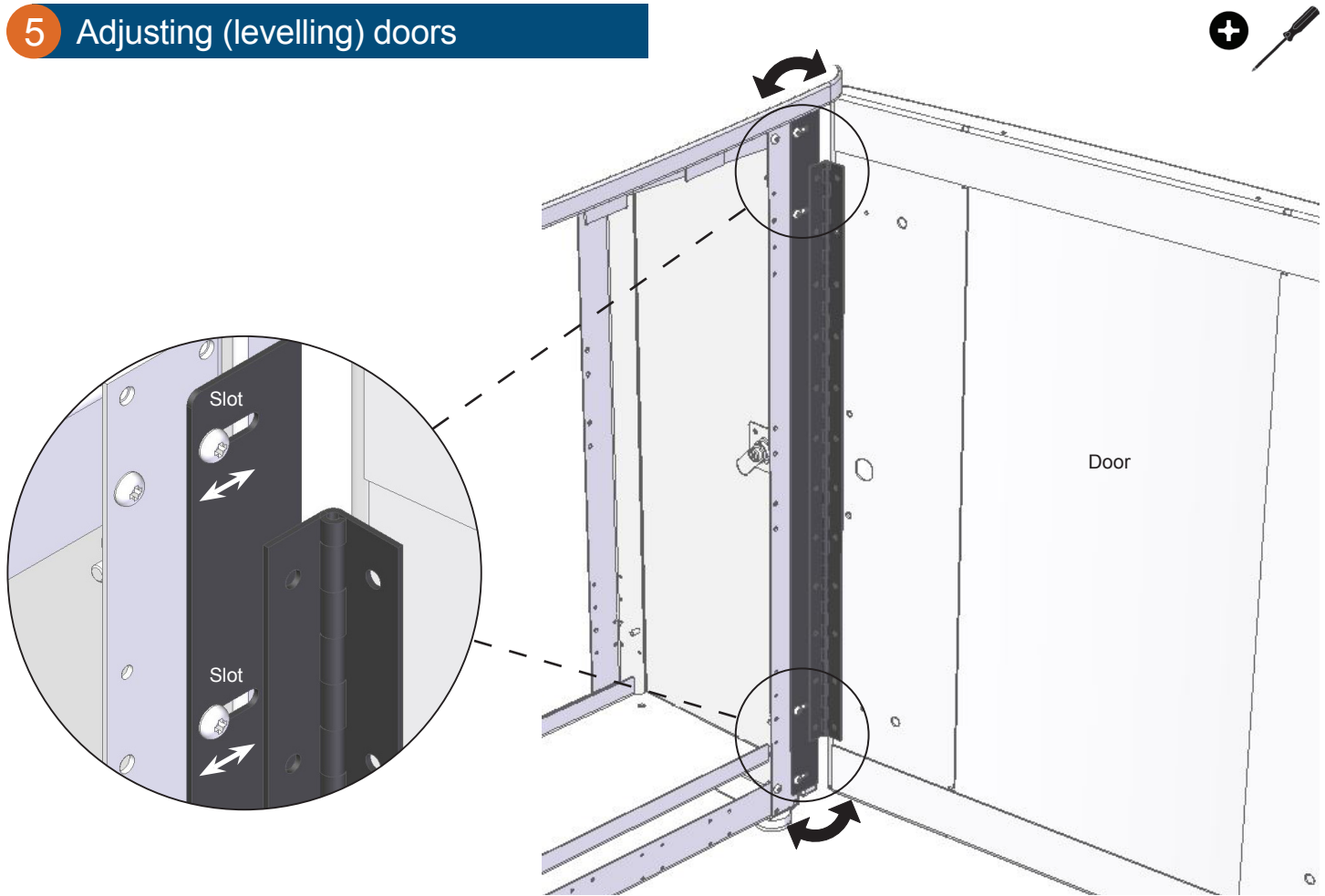
3 Attach left and right side trim




4 Levelling credenza

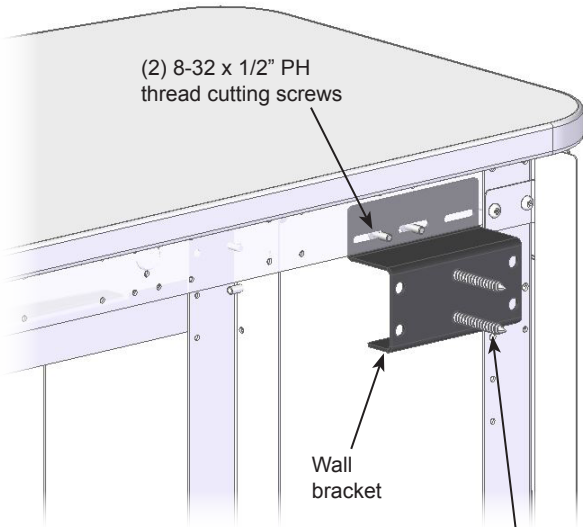


5 Adjusting (levelling) doors



6 Secure credenza to wall

 Note: Credenza must be anchored securely to wall studs or a solid wall. Wood and masonry screws are provided.

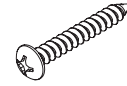


(2) #14 x 1-3/4" PHSM screws
or
(2) 1/4 x 1-1/4" Tapcon hex slotted screws

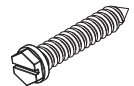
Wall fasteners



0100167
8-32 x 1/2" PH
thread cutting screws




(6) 0101381
#14 x 1-3/4" PHSM
(wood or steel studs)

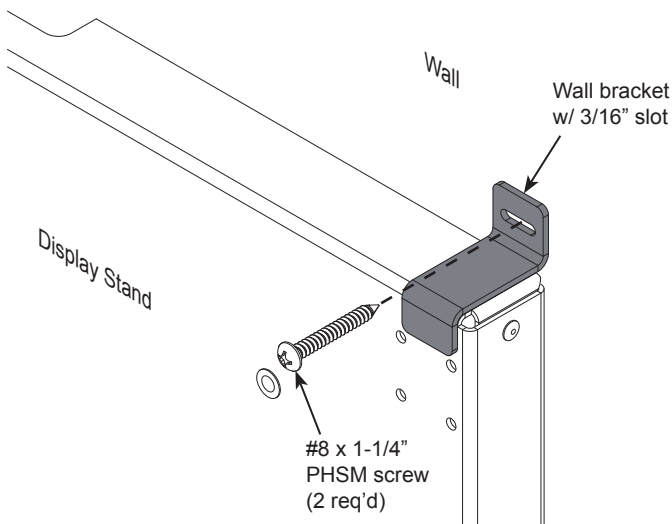


(6) 055699
1/4" x 1-1/4" Tapcon
hex slotted screw
(masonry use)

1. Position the credenza at the preferred location along the wall.
2. Locate wall framing (studs).
3. Attach each wall bracket securely to the credenza with the mounting holes centered at the wall stud locations. Multiple horizontal positions and (3) sets of holes are available to locate each wall bracket on a stud.
4. Slide the credenza up to the wall so the wall brackets contact the wall. Make sure the credenza is sitting level on the floor. If not sitting level, the glides can be adjusted to level.
5. Using the brackets as a template, drill suitable holes in the wall for the fasteners.
6. Secure each bracket to the wall with (2) wall fasteners.

7 Install wall brackets on display stand

 Note: Display stand must be anchored securely to wall studs or a solid wall. (2) #8 x 1-1/4" PHSM screws are provided for wood use.

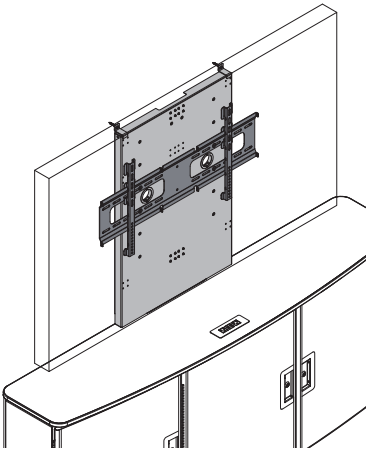


Wall fasteners



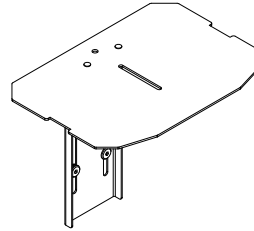
(2) 026436
#8 x 1-1/4" PHSM
screw

Accessories



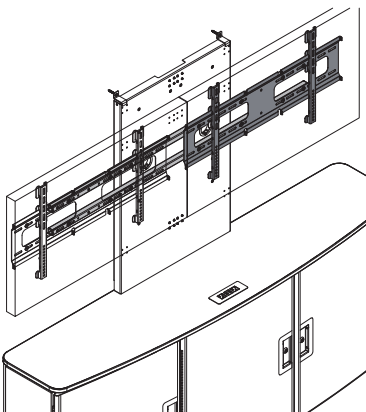
Display Stand - 55498

- Mounts (1) monitor 37"-70" [94-177.8 cm] diagonal
- Secured to worksurface and wall
- Cord grommets in wall panel route and hide wires
- Slim VESA mount (non-tilting)
- Adjustable (VESA-compatible) mount



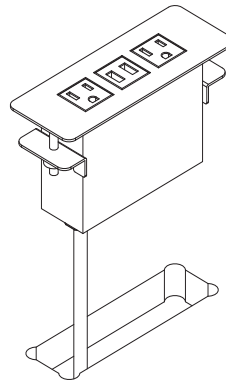
Camera Mount - 55518

- Provides ability to mount camera for video teleconferencing
- Requires [optional Display Stand 55498, or 55499](#)
- Mounts above monitor(s) for group teleconferencing
- Adjustable height shelf bracket provides ideal height



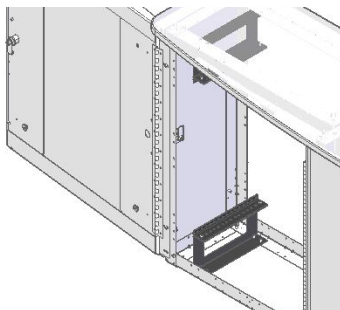
Dual Display Mount - 55499

- Accommodates two monitors up to 42" [106.7 cm]
- Includes (1) VESA display mount
- Includes (2) support tubes
- Adjustable left-to-right
- Requires [Display Stand 55498](#)



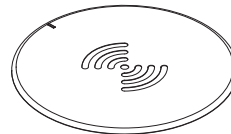
Power Module - 99058

- (2) AC power receptacles
- (2) USB charge ports
- Aluminum housing and flange
- Thumbscrew clamps
- Requires worksurface cutout
- ETL-certified
- Available in black, silver, or white
- Customer-installed



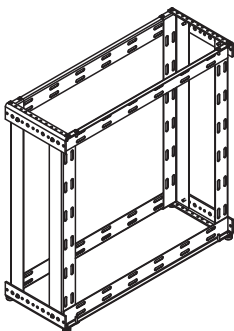
3RU Fixed Rack - 55516

- Includes (2) 3RU rack rails
- Includes (2) mounting brackets
- Black powdercoat



EM Wireless Charging Pad - 99057

- Uses electromagnetic technology to charge Qi V1.2 compliant IC devices ("Qi" enabled)
- LED to confirm pairing / charging
- Security tab prevents theft
- Requires 3" round cutout to be made by customer
- UL-certified



3RU Rack Cube - 55517

- Provides ability to integrate equipment remotely before installation into the unit
- (1) rack cube can be installed per bay
- Bumpers on two sides
- Cube can be oriented with equipment horizontal or vertical
- Can be secured to base panel
- Black powdercoat
- Customer-installed

See spectrumfurniture.com for the latest accessories and detailed warranty information.



Important Safety and Care Instructions



- Read these instructions before assembly or operation.
- Do not allow children to move the lectern.
- Proceed slowly and carefully when moving the lectern.
- For indoor use only. Do not install or store the lectern where it will be exposed to moisture.
- Do not block the ventilation openings.
- Avoid uneven loading of the equipment into the lectern. Uneven weight distribution could cause the lectern to tip when the lectern is moving.
- Do not allow anyone to sit, stand, or climb on the lectern.
- Use a damp, soft-cloth, or sponge, with mild soap or detergent solution to clean dirty surfaces. Do not use harsh solvents or abrasives.
- This lectern is intended for institutional use. It does not have any user-serviceable parts or user-maintenance requirements. If servicing is necessary, please contact Spectrum Industries for assistance.

Warning - Relocating audio and/or video equipment to furniture not specifically designed to support audio and/or video equipment may result in death or serious injury due to the furnishing collapsing or over turning onto a child.

Warning - Death or serious injury may occur when children climb on audio and/or video equipment furniture. A remote control or toys placed on the furnishing may encourage a child to climb on the furnishing and as a result the furnishing may tip over on to the child.

Electrical Safety:

- Do not plug the power cord into an extension cord.
- Inspect power cords for damage before each use. Do not use power cords that are damaged.
- Unplug power cord from electrical outlet by gripping the cord. Do not unplug the power cord by pulling only on the cord.
- Do not step on, drive over, drag, or place objects on the power cord.
- For added safety, plug the lectern into a grounded outlet controlled by a GFI (Ground Fault Interrupter) circuit breaker.
- Electrical devices are not toys. Children are often unaware of the hazards associated with electrical devices. This lectern must always be used by adults or with adult supervision.



Consignes importantes de sécurité et d'entretien



- Lire ce guide d'utilisation avant l'assemblage ou l'utilisation.
- Interdire aux enfants de déplacer le lutrin.
- Déplacer le lutrin lentement et prudemment.
- Utilisation à l'intérieur uniquement. Ne pas assembler et ne pas ranger le lutrin dans un endroit humide.
- Ne pas boucher les prises d'air de ventilation.
- Éviter le chargement mal réparti de l'équipement sur le lutrin. Un chargement mal réparti risque de faire basculer le lutrin en déplacement.
- Interdire à quiconque de s'asseoir, de se tenir debout ou de grimper sur le lutrin.
- Passer un chiffon doux ou une éponge, imbibés de solution nettoyante ou de savon liquide doux, sur les surfaces sales. Ne pas utiliser des solvants rudes ou des abrasifs.
- Ce lutrin est destiné à un usage institutionnel. Il ne contient aucune pièce susceptible d'être réparée par l'utilisateur et ne nécessite aucun entretien de la part de celui-ci. Si une maintenance est requise, communiquer avec Spectrum Industries pour obtenir de l'aide.

Avertissement - Reloger un équipement audio ou vidéo sur un meuble non conçu pour supporter cet équipement pourrait entraîner de graves blessures, voire la mort, à la suite de l'effondrement du meuble ou de sa chute sur un enfant.

Avertissement - Un enfant qui grimpe sur un meuble d'équipement audio ou vidéo pourrait subir des blessures graves ou mortelles. Une télécommande ou des jouets placés sur le meuble risquent d'inciter un enfant à y grimper : le meuble pourrait alors basculer et écraser l'enfant.

Consignes de sécurité en électricité

- Ne pas brancher le cordon d'alimentation sur une rallonge.
- Vérifier que les cordons d'alimentation sont intacts avant chaque utilisation. Ne pas les utiliser s'il sont abîmés.
- Pour débrancher le cordon de la prise murale, saisir son bouton isolant et tirer; ne pas tirer le cordon.
- Ne pas marcher, ne pas rouler et ne pas placer des objets sur le cordon d'alimentation; ne pas le traîner.
- Pour plus de sécurité, brancher le lutrin sur une prise mise à la terre protégée par un disjoncteur de fuite de terre.
- Les appareils électriques ne sont pas des jouets. Les enfants n'ont souvent pas conscience des dangers associés aux appareils électriques. Ce le lutrin doit donc être toujours utilisé par un adulte, ou sous la surveillance d'un adulte.



Instrucciones importantes de prevención de accidentes y cuidado



- Lea este manual del propietario antes de la instalación u operación.
- No permita que los niños muevan el atril.
- Proceda lenta y cuidadosamente al mover el atril.
- Solo para uso en interiores. No instale o guarde el atril donde quede expuesto a la humedad.
- No obstruya las rendijas de ventilación.
- Evite cargar el equipo de forma desigual dentro del atril. La distribución asimétrica del peso podría provocar que el atril se vuelque al momento de moverlo.
- No permita que nadie se sienta, pare o suba al atril.
- Para limpiar las superficies sucias, utilice un paño, trapo suave o esponja con jabón neutro o una solución de detergente. No utilice solventes o abrasivos ásperos.
- El uso convencional de este atril es institucional. No contiene ninguna parte que pueda ser reparada por el usuario ni requiere de mantenimiento por parte de éste. Si fuera necesario darle mantenimiento, póngase en contacto con Spectrum Industries para obtener asistencia.

Advertencia: reubicar equipo de audio y/o video a un mueble que no haya sido diseñado específicamente para tal uso, puede provocar la muerte o lesiones graves, debido a que puede colapsarse o volcarse sobre un niño.

Advertencia: existe peligro de muerte o lesiones graves si los niños se suben a un mueble de equipo de audio y/o video. Un control remoto o juguete colocado sobre el mueble puede alentar a un niño a subirse y tener como resultado que el mueble se vuelque sobre el chico.

Prevención de accidentes eléctricos:

- No enchufe el cable de alimentación a un cable de extensión.
- Revise que los cables de alimentación no tengan ningún daño antes de cada uso. No utilice cables de alimentación que estén dañados.
- Desenchufe el cable de alimentación del tomacorriente eléctrico sosteniendo el cable firmemente. No desenchufe el cable de alimentación jalando únicamente del cable.
- No se pare, circule, jale o coloque ningún objeto sobre el cable de alimentación.
- Para mayor seguridad, enchufe el atril a una conexión a tierra controlada por un interruptor de circuito GFI (interruptor de fallas de conexión a tierra).
- Los dispositivos eléctricos no son juguetes. Los niños generalmente no están conscientes de los riesgos asociados con los dispositivos eléctricos. Este atril lo deberán utilizar siempre personas adultas o bajo su supervisión.

Warranty

We will make it right for you!

Spectrum is committed to provide complete customer satisfaction. Each of our products is manufactured from the best materials available and each product is stringently monitored throughout the production process through our Quality Management System.

We expressly warrant that Spectrum products will be of good quality and workmanship and free from defect for the period set out in the warranty table below from the date of delivery. This warranty shall not apply to defects or damage resulting from normal wear and tear, misuse, or unintended use, failure to follow instructions related to the product's installation or intended use, abuse, neglect, improper care, modification or repair not authorized by Spectrum, or any other cause outside the control of Spectrum. Spectrum will, at its sole option, either repair or replace the defective product.

This warranty is exclusive; no other warranty, written or oral, is expressed or implied. This warranty is given by Spectrum to Buyer or Buyer third party end user and to no other person or legal entity. No Spectrum dealer, distributor, partner, reseller, agent or employee is authorized to make any modification or addition to this warranty.

NOTWITHSTANDING ANYTHING TO THE CONTRARY, SPECTRUM WILL NOT UNDER ANY CIRCUMSTANCES BE LIABLE FOR INDIRECT OR LIQUIDATED DAMAGES, INCLUDING CONSEQUENTIAL, INCIDENTAL AND SPECIAL DAMAGES. IN NO EVENT SHALL SPECTRUM'S LIABILITY, WHETHER UNDER CONTRACT OR WARRANTY, IN TORT OR OTHERWISE, EXCEED THE PURCHASE PRICE RECEIVED BY SPECTRUM FOR THE PRODUCT AT ISSUE AND "RECALL ACTION" EXPENSES. SPECTRUM SHALL NOT BE SUBJECT TO ANY OTHER OBLIGATIONS OR LIABILITIES, WHETHER ARISING OUT OF BREACH OF CONTRACT, WARRANTY, TORT (INCLUDING NEGLIGENCE AND STRICT LIABILITY) OR OTHER THEORIES OF LAW, WITH RESPECT TO PRODUCTS SOLD OR SERVICES RENDERED BY SPECTRUM, OR ANY UNDERTAKINGS, ACTS OR OMISSIONS RELATING THERETO.

Our Customer Service Department is ready to provide immediate attention to any questions, comments or concerns. They are available to answer your calls Monday through Friday from 7 am to 5 pm CST. In addition your product comments or concerns are welcome via e-mail at: spectrum@spectrumfurniture.com.

Warranty Table

Item	Warranty Period
Desk, table, cart and lectern chassis	10 Years
Electrical	2 Years
Flat panel monitor arms / gas spring / general parts	2 Years
Adjustable crank / electric legs and accessories	2 Years
Flat panel desk gas spring cylinders	2 Years
Height adjustable columns, lifts & accessories	2 Years
Casters & wheels	2 Years
Keyboard, mouse, trays	2 Years
Locks & keys	2 Years
Tubs, totes and other accessories	1 Year
Chairs	7 Years
Structural components, including gas cylinders, wood, metal and plastic parts (i.e., chair frames, bases and control handles)	
Consumable items (i.e., casters, glides, etc.)	
In-stock upholstery	5 Years
Customer supplied material	No Warranty

