

Assembly Instructions:

To purchase parts or accessories, please contact us at
www.spectrumfurniture.com
 1-800-235-1262
 Thank you for choosing Spectrum products!



(2) 044573
 5/8" Adhesive Bumpers



(4) 0100167
 8-32 x 1/2" PH Thread-Ctg Screw

Before you begin, please make sure all parts and proper quantities are included. Any parts damaged during shipment must be reported within 15 days of receipt. To report information regarding damages or if you have any questions, please call 1-800-235-1262.

1. Attach Door to Equipment Rack

- A. The locking door is symmetrical and can be mounted to swing from the left or right-side of the equipment rack. Before you begin, determine which side the door will be attached.
- B. With the hinge open, align the mounting holes as shown and attach to equipment rack frame with (4) 8-32 x 1/2" PH thread ctg screws. Be sure the screws are installed straight. Do not tighten completely until all screws are installed. **Figure 1.**

2. Install Bumpers

- A. With the door open, install the (2) adhesive bumpers onto the equipment rack frame as shown. **Figure 2.**

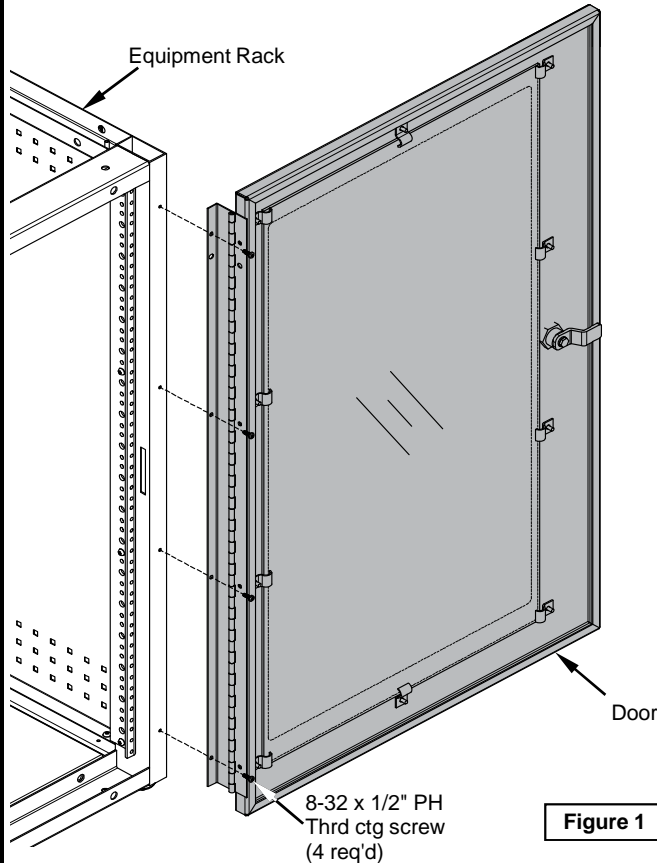
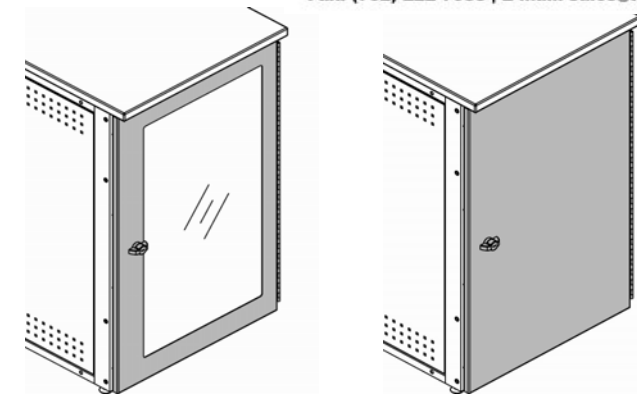


Figure 1



Locking Door for Instructor Media Console

#68103 - 29" Acrylic Door
 #68153 - 36" Acrylic Door

#68102 - 29" Solid Door
 #68152 - 36" Solid Door

Tools Required:
 Phillips screwdriver
 4mm hex wrench (included)

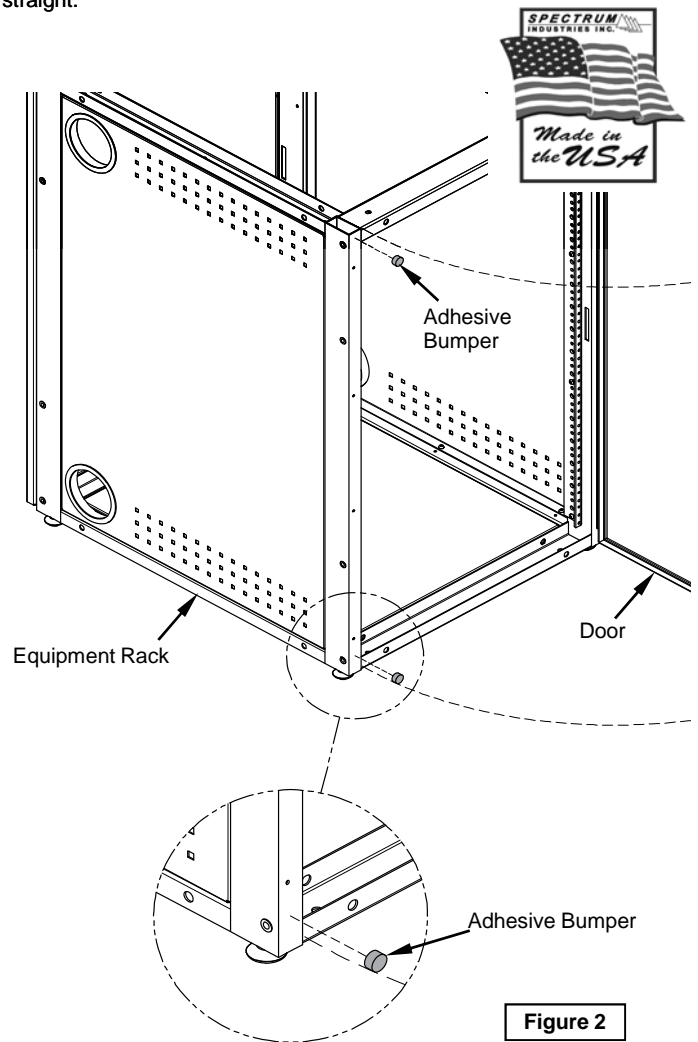


Figure 2