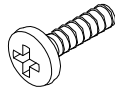


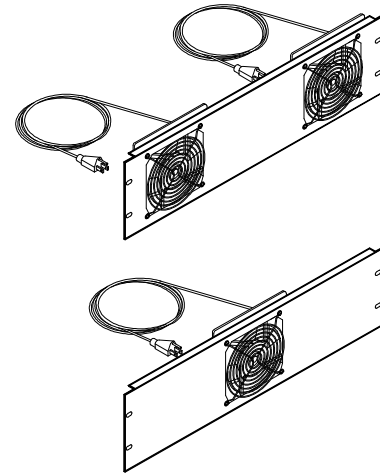
# Assembly Instructions:



050184  
(4) 10-32 x 5/8 PHMS

Tools Required:  
Phillips Head Screwdriver

Before you begin, please make sure all parts and proper quantities are included. Any parts damaged during shipment must be reported within 15 days of receipt. To report information regarding damages or if you have any questions, please call 1-800-235-1262.



**Rack-Mount Fans**  
97506 (double fan)  
97507 (single fan)

## 1. ATTACH TO RACK RAIL

- Determine Rack-Mount Fan location (Fans require 3 rack spaces.) Be sure fans will not interfere with any components. (If mounting in a Masters®, Doctorate®, Media Manager®, or Media Director® cart and more airflow is needed, the narrow acrylic panels on the door can be removed and fan mounted directly behind opening for maximum airflow.)
- Attach Rack-Mount Fan unit to rack rail using a screwdriver and (4) 10-32 x 5/8" screws as shown in Figure 1.
- Plug fans into power source

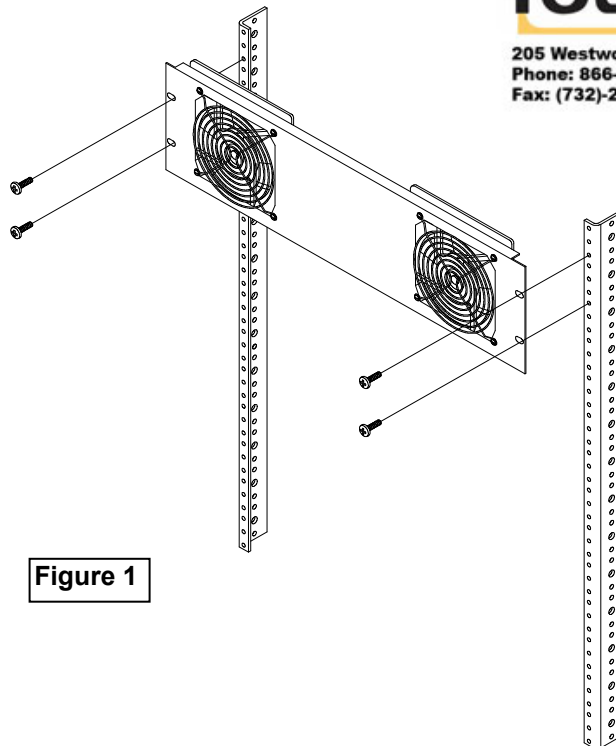


Figure 1

**Touchboards**

205 Westwood Ave, Long Branch, NJ 07740  
Phone: 866-94 BOARDS (26273) / (732)-222-1511  
Fax: (732)-222-7088 | E-mail: sales@touchboards.com