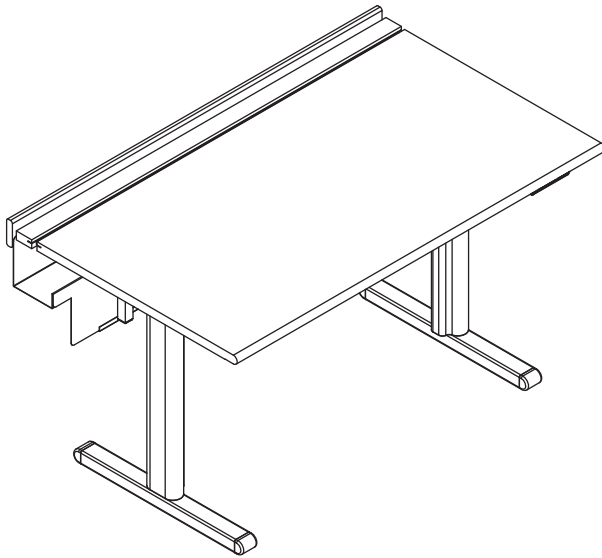


Technical Specifications

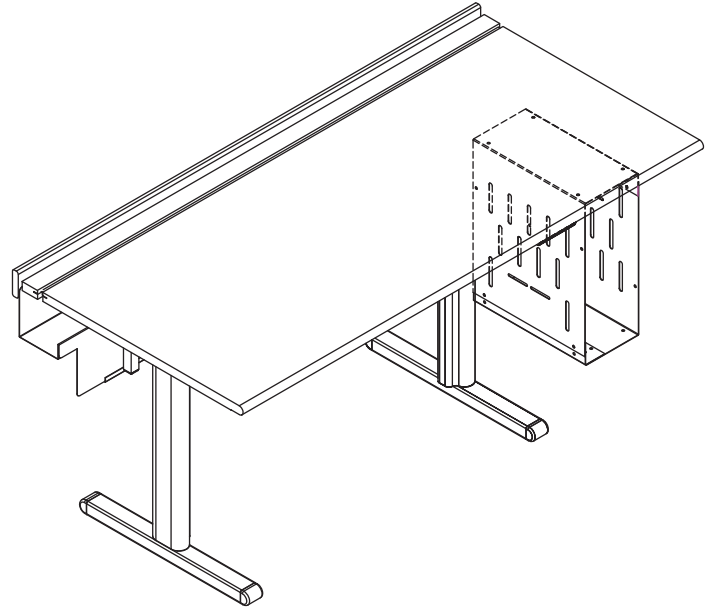


205 Westwood Ave, Long Branch, NJ 07740
 Phone: 866-94 BOARDS (26273) / (732)-222-1511
 Fax: (732)-222-7088 | E-mail: sales@touchboards.com

Crank adjustable	Electric ECS adjustable
38932 - 44"W	38935 - 44"W
38933 - 48"W	38936 - 48"W
38934 - 60"W	38937 - 60"W



48" Evolution Liberty
ADA Desk



60" Evolution Liberty ADA Desk
(shown with optional CPU sling)

Spectrum's desire to develop furniture that fits the needs of all people has prompted the creation of the ADA Desk series. Featuring a height-adjustable worksurface and cord channel, the Liberty ADA desk is designed to meet Federal ADA requirements while accommodating the physical requirements of every individual.

Features and Benefits

- Meets all ADA requirements for leg spacing
- Desk raises and lowers to accommodate wheelchair or non-wheelchair users
- Scratch and impact resistant 1 1/8" high-pressure laminate worksurface
- Full-length flip-top door for easy cable and wire access
- Bull-nose radiused front edge
- Worksurface support brace minimizes flexing (48" and 60" only)
- Solid oak chair rail protects wires and cables, and the back of the desk
- Heavy gauge steel modesty panel adds strength and stability
- Cord channel conveniently keeps computer wires and cables out of the way and is wide enough to accept most power strips
- Leveling glides keep desk level on uneven surfaces
- Electric (ECS) desk features a flush-button control panel with 3-position memory
- Handle retracts under worksurface when not in use (crank version)
- Standard color combinations match existing Spectrum desks
- Optional CPU slings provide ability to install tower CPU under worksurface (CPU slings recommended on 60"W desks only)
- Warranted to be free of all defects in materials and workmanship with a 10-year warranty

Size Options
Widths: 44"W, 48"W, 60"W

Options & Accessories
Page 4

Color Options

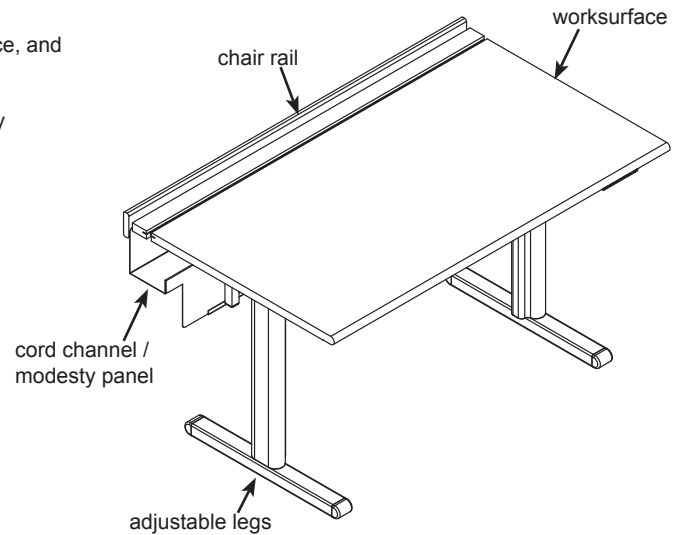
Standard laminate / color combinations

- Wild Cherry / Black (CHB)
- Indigo Organix / Dark Gray (ID)
- Bannister Oak / Putty (KP)

Standard color combination refers to the quickest deliverable product color combination. Custom laminates and color combinations are available-additional lead-times and up-charges may apply. Call 1-800-235-1262 for further information.

Construction

- The worksurface is constructed from 1 $\frac{1}{16}$ " thick NAUF (No Added Urea Formaldehyde) composite board with .030 high-pressure laminate on one face, and a balancing phenolic backer on the opposing face
- Left and right-side worksurface edges are finished with 3mm vinyl edge-band
- All metal components are finished with a scratch-resistant powder coat epoxy
- Worksurface support brace is 14-gauge steel (48" and 60" only)
- Bottom leg rail includes weld-nuts for attaching glides
- 20-gauge cord channel/modesty panel
- Chair rail is $\frac{1}{4}$ " #1 select red oak, finished with a catalyzed top coat
- Post-formed bullnose on worksurface front edge
- Liberty ADA desks are shipped knocked-down (KD) and require assembly

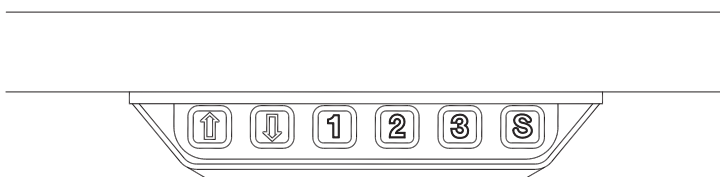


Specifications

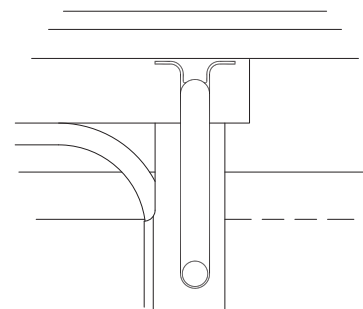
Worksurface (uninterrupted depth)	25% ⁵ D
Cord channel	5 $\frac{1}{2}$ "D x 5 $\frac{1}{2}$ "H
Worksurface height-adjustability (electric)	27"-42 $\frac{3}{4}$ "H
Worksurface height-adjustability (crank)	27"-40 $\frac{1}{4}$ "H (raises or lowers worksurface 1" with every 5 $\frac{1}{2}$ revolutions)
ADA-compliance	Knee clearances: 25 $\frac{15}{16}$ "-41 $\frac{11}{16}$ "H (electric) 25 $\frac{15}{16}$ "-39 $\frac{3}{16}$ "H (crank) (1 person per desk) <i>*Minimum ADA guidelines for knee clearances are 30"W x 19"D x 27"H</i>
ECS lift mechanism (electric)	inverter: 120V @ 60Hz, 400 watts, 3.3 amps motors: 18V / 10 amps max load: 800N (180 lbs)
Optional adjustable CPU sling (95500)	8"-10"W x 17 $\frac{1}{2}$ "D x 21"-23"H
Optional narrow adjustable CPU sling (95513)	5"-8 $\frac{1}{2}$ "W x 18"D x 18"H
Shipping weights (nominal)	105 lbs - 38932 (44"W crank) 114 lbs - 38933 (48"W crank) 127 lbs - 38934 (60"W crank) 115 lbs - 38935 (44"W electric) 124 lbs - 38936 (48"W electric) 137 lbs - 38937 (60"W electric)
Meets or exceeds applicable ANSI-BIFMA test standards	



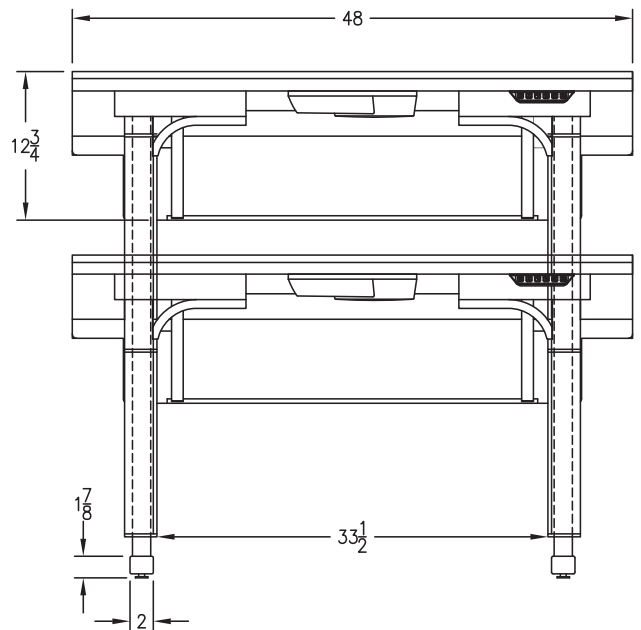
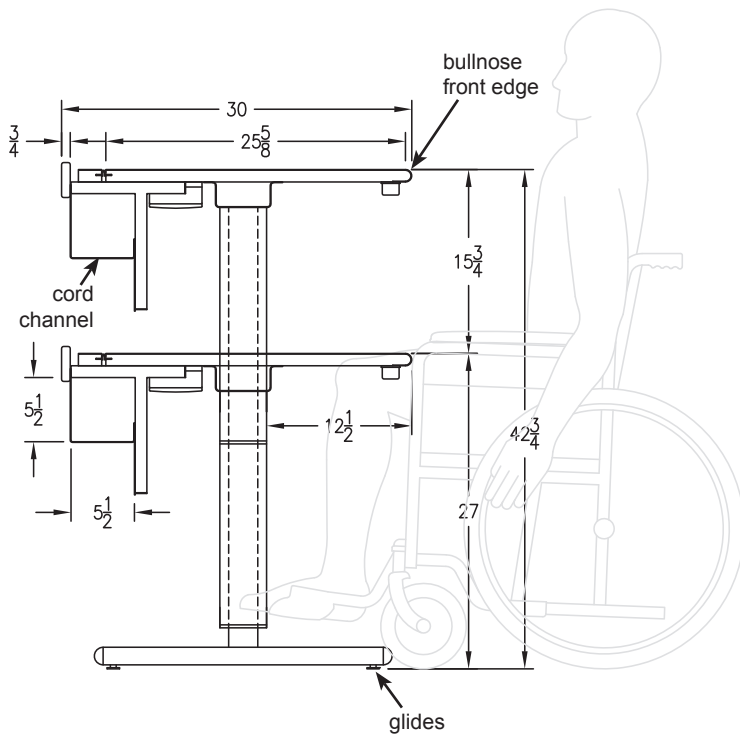
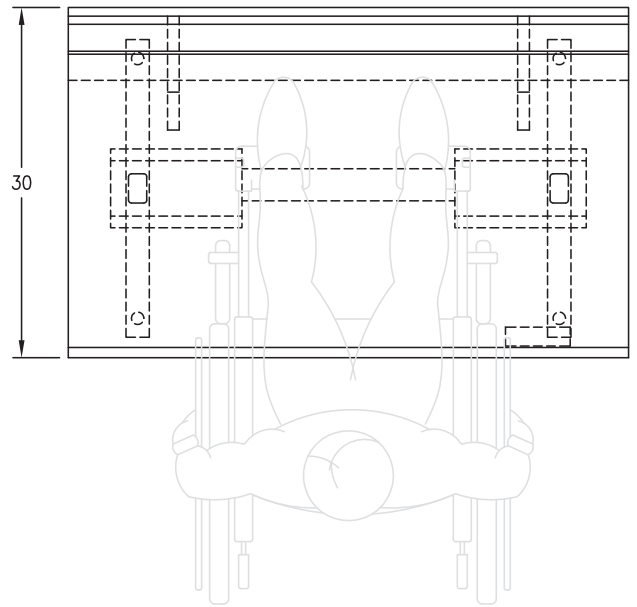
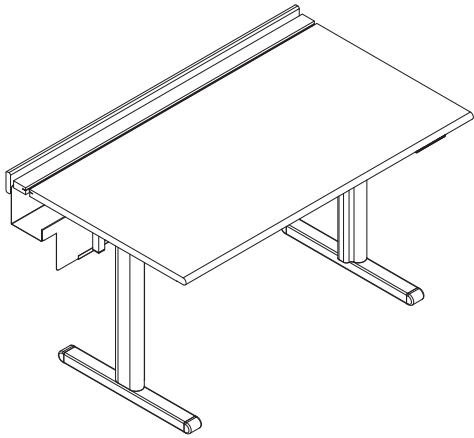
Specifications subject to change without notice



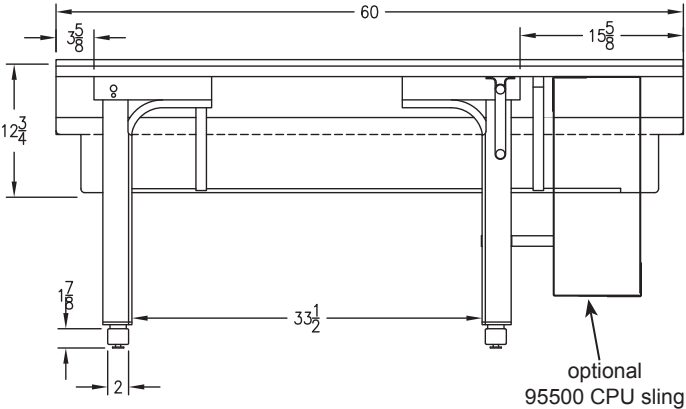
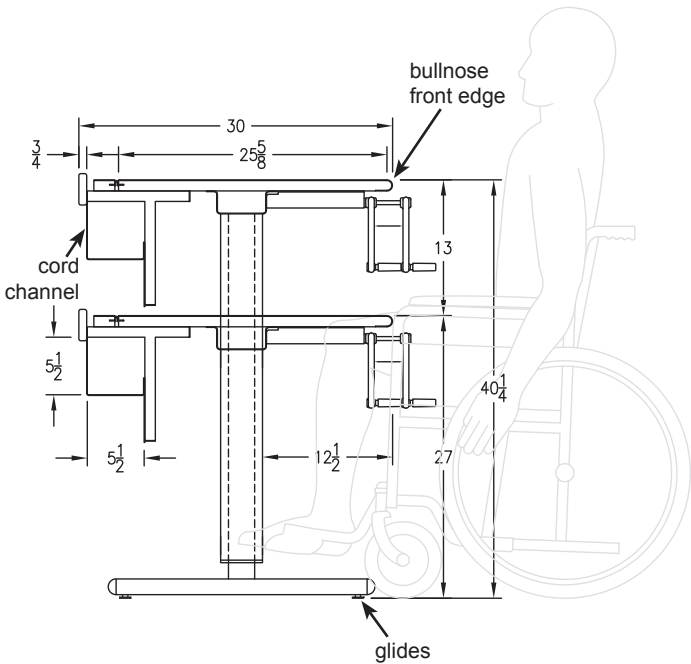
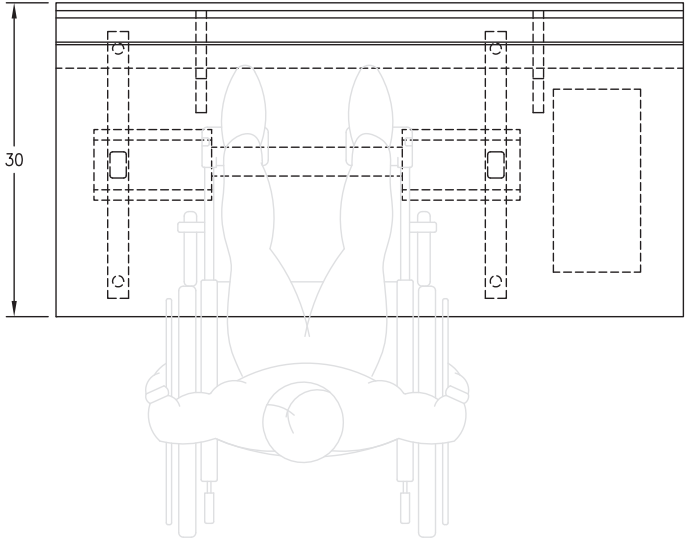
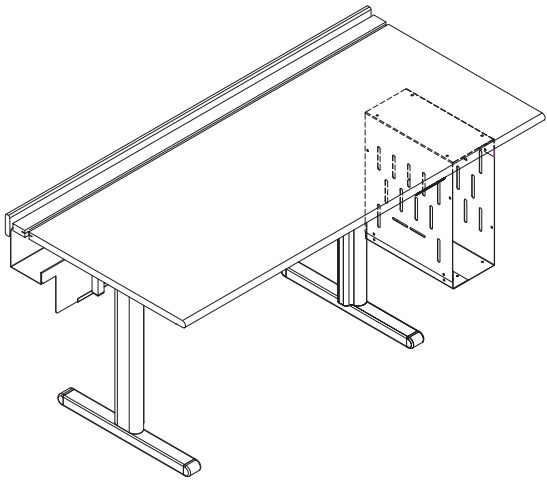
Electrically-adjustable
(ECS control panel mounts anywhere under worksurface-to be determined by customer)



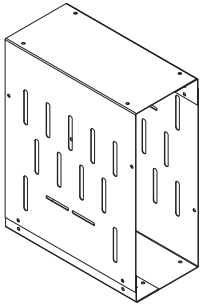
Crank-adjustable



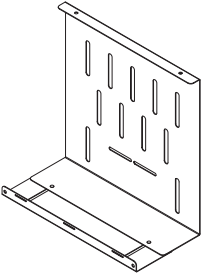
60" Evolution Liberty ADA Desk with crank
(shown with optional 95500 CPU sling)



Options



Adjustable CPU sling
for standard-sized CPU's
8"-10"W x 17 1/2"D x 21"-23"H
95500



Adjustable narrow CPU sling
for narrow/small CPU's
5"-8 1/2"W x 18"D x 18"H
95513

Flat Panel Monitor Arms & Tablet Mounts
(See the Spectrum website or catalog for the latest available monitor arm & tablet mounting options)

Warranty

WE WILL MAKE IT RIGHT FOR YOU!

Spectrum is committed to provide complete customer satisfaction. Each of our products is manufactured from the best materials available and each product is stringently monitored throughout the production process through our P.A.C.E. program (Product Assurance to meet Customer Expectations).

We expressly warrant that Spectrum products will be of good quality and workmanship and free from defect for the period set out in the warranty table below from the date of delivery. This warranty shall not apply to defects or damage resulting from misuse, abuse, neglect, improper care, modification or repair not authorized by Spectrum, or any other cause outside the control of Spectrum. Spectrum will, at its sole option, either repair or replace the defective product.

This warranty is exclusive; no other warranty, written or oral, is expressed or implied. This warranty is given by Spectrum to Buyer and to no other person or legal entity. No Spectrum dealer, distributor, agent or employee is authorized to make any modification or addition to this warranty.

NOTWITHSTANDING ANYTHING TO THE CONTRARY, SPECTRUM WILL NOT UNDER ANY CIRCUMSTANCES BE LIABLE FOR INDIRECT OR LIQUIDATED DAMAGES, INCLUDING CONSEQUENTIAL, INCIDENTAL AND SPECIAL DAMAGES. IN NO EVENT SHALL SPECTRUM'S LIABILITY, WHETHER UNDER CONTRACT OR WARRANTY, IN TORT OR OTHERWISE, EXCEED THE PURCHASE PRICE RECEIVED BY SPECTRUM FOR THE PRODUCT AT ISSUE AND "RECALL ACTION" EXPENSES. SPECTRUM SHALL NOT BE SUBJECT TO ANY OTHER OBLIGATIONS OR LIABILITIES, WHETHER ARISING OUT OF BREACH OF CONTRACT, WARRANTY, TORT (INCLUDING NEGLIGENCE AND STRICT LIABILITY) OR OTHER THEORIES OF LAW, WITH RESPECT TO PRODUCTS SOLD OR SERVICES RENDERED BY SPECTRUM, OR ANY UNDERTAKINGS, ACTS OR OMISSIONS RELATING THERETO.

Our Customer Service Department is ready to provide immediate attention to any questions, comments or concerns. They are available to answer your calls Monday through Friday from 7 am to 5 pm CST. In addition your product comments or concerns are welcome via e-mail at: spectrum@spectrumfurniture.com.

Warranty Table

Item	Warranty Period
• Adjustable Crank/Electric Desk Legs	• 1 Year
• Flat Panel Desk Gas Cylinders	
• Adjustable Height Chair Parts – including frames, gas cylinders, wood and plastic parts, and control handles Adjustable Height Chair Parts Casters	• 7 Years
• Adjustable Height Chair Upholstery	• 2 Years
• In-Stock Upholstery	• 2 Years
• Graded-In Fabrics and Customer Owned Material	• No Warranty
• Height Adjustable Columns and Lifts	• 1 Year
• General Use Casters	
• Electrical	
• Keyboard/Mouse Trays	
• Flat Panel Monitor Arm – General Parts	• 5 Years
• Flat Panel Monitor Arm – Gas Cylinders	• 2 Years
• Computer Desk Chassis	• 10 Years
• Cart Chassis	
• Lectern Chassis	

