

Assembly Instructions

⚠ Important ⚠

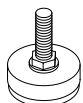
Before you begin, read and comply with all safety and operating instructions, and ensure all parts and correct quantities are included.

Any parts damaged during shipment must be reported within 5 days of receipt. To report information regarding missing parts or damage, to purchase parts or accessories, or if you have any questions, please contact us.

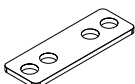
www.spectrumfurniture.com

800-235-1262, 715-723-6750

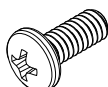
Thank you for purchasing Spectrum products!



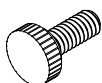
(4) 037779
5/16-18 Glide



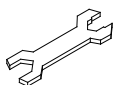
(2) 037749
Unit-to-unit
brackets



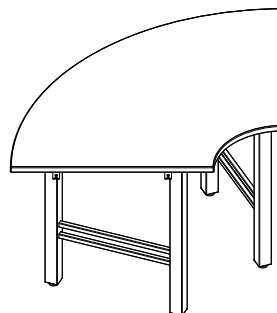
(20) 026064
1/4-20 x 5/8" PHMS



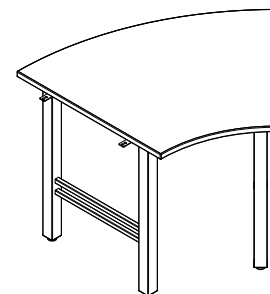
(4) 0103920
1/4-20 x 1/2"
Thumbscrews



(1) 025069
Glide wrench



1/4 Round



1/8 Round

Flex Training Tables

37295 - 1/8 Round (24"D)

37297 - 1/8 Round (30"D)

37296 - 1/4 Round (24"D)

37298 - 1/4 Round (30"D)

Table Assembly

1. Place work surface face-down onto a non-abrasive surface.
2. Attach the legs to the work surface using 1/4-20 x 5/8" PHM screws and tighten securely. **Figure 1.**
3. Attach the glides to the legs. Tighten securely with glide wrench.
4. Carefully flip the table upright-this may require two people.

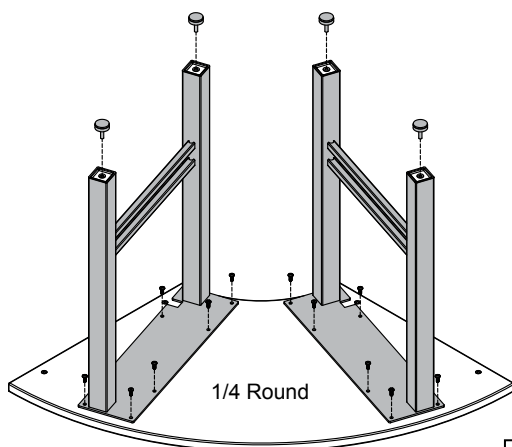
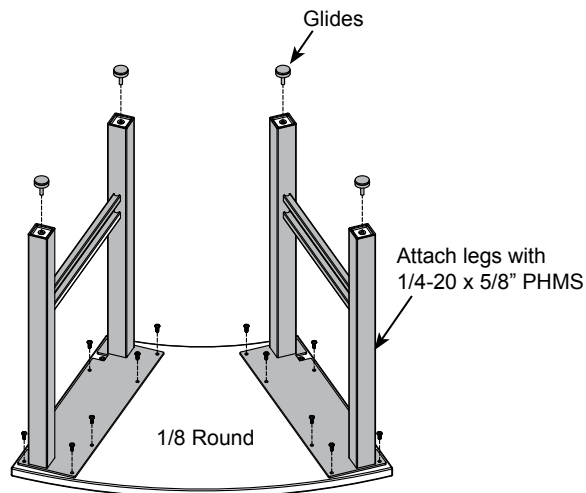


Figure 1



Tools Required



Phillips
screwdriver



Glide wrench
(included)

Connecting tables together

1. Arrange the tables side-to-side in the preferred location.
2. Attach the unit-to-unit brackets to both table worksurfaces as shown with 1/4-20 x 5/8" PHM screws and tighten securely. **Figure 2.**

Note: For stability reasons, these tables are designed to be connected to adjacent tables and are not recommended for stand-alone use. If a more temporary arrangement is preferred, the easily removable 1/4-20 thumbscrews can be used on the unit-to-unit brackets instead of Phillips screws.

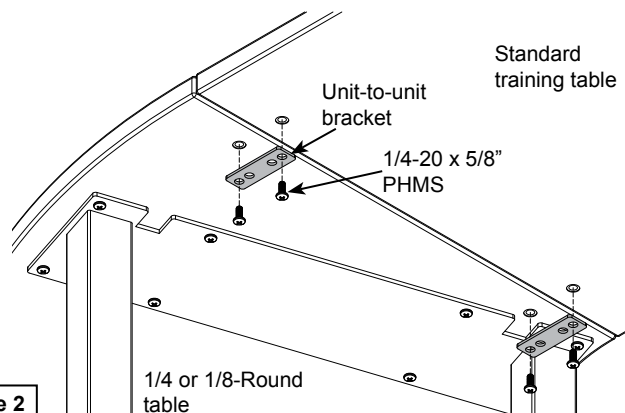


Figure 2