

Assembly Instructions

⚠ Important ⚠

Before you begin, read and comply with all safety and operating instructions, and ensure all parts and correct quantities are included.

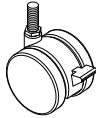
Any parts damaged during shipment must be reported within 5 days of receipt. To report information regarding missing parts or damage, to purchase parts or accessories, or if you have any questions, please contact us.

www.spectrumfurniture.com
800-235-1262, 715-723-6750

Thank you for purchasing Spectrum products!



037779
5/16-18 x 1" Glide



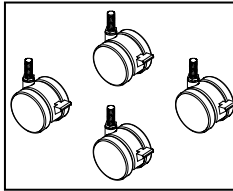
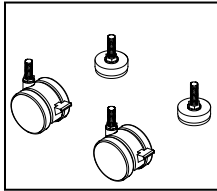
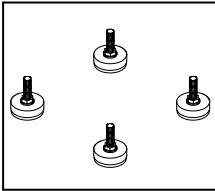
0101909
2-3/8" Caster
(with 5/16-18 stem)

Rectangular Flex Training Tables come with glides or casters in one of the following combinations:

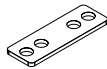
4 Glides

2 Glides / 2 Casters

4 Casters



(20) 026064
1/4-20 x 5/8" PHMS



(2) 037749
Unit-to-unit bracket



(4) 0103920
1/4-20 x 1/2"
Thumbscrew



(1) 025069
Glide wrench

1. Table Assembly

1. Place worksurface face-down onto a non-abrasive surface.
2. Attach the legs to the worksurface using 1/4-20 x 5/8" PHM screws and tighten securely. **Figure 1.**
3. Attach the casters and / or glides to the legs. Glides attach to the longer 28" tall legs, and casters will attach to the shorter 27" tall legs. Tighten securely with glide wrench.
4. If tables are to be connected together, attach the unit-to-unit brackets as shown in **Figure 1A.**
5. Carefully flip the table upright-this may require two people.

Unit-to-unit
bracket
(optional)

Figure 1A

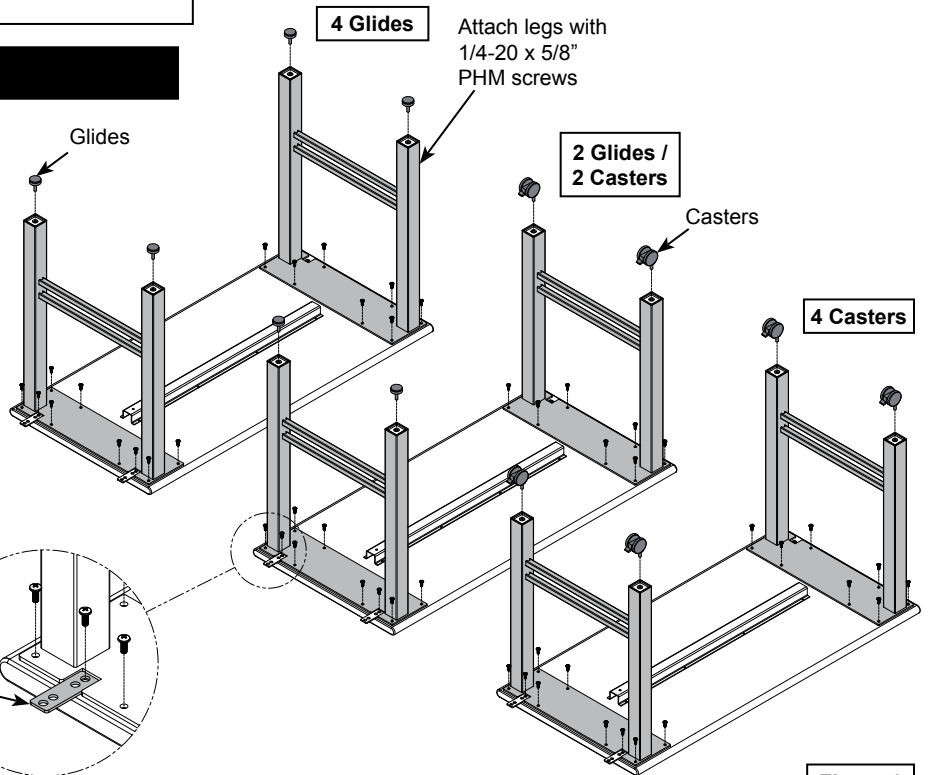
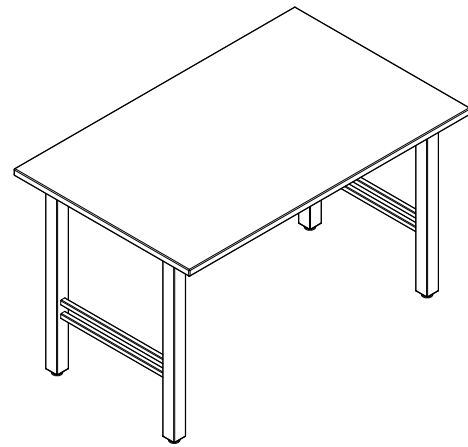


Figure 1



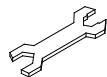
Flex Training Tables
(24" and 30" deep)

372XX

Tools
Required



Phillips
screwdriver



Glide
wrench

2. Connecting tables together (optional)

1. Arrange the tables side-to-side in the preferred location.
2. Attach the unit-to-unit brackets to both table worksurfaces as shown with 1/4-20 x 5/8" PHM screws and tighten securely. **Figure 2.**

Note: If a more temporary arrangement is preferred, the easily removable 1/4-20 thumbscrews can be used on the unit-to-unit brackets instead of Phillips screws.

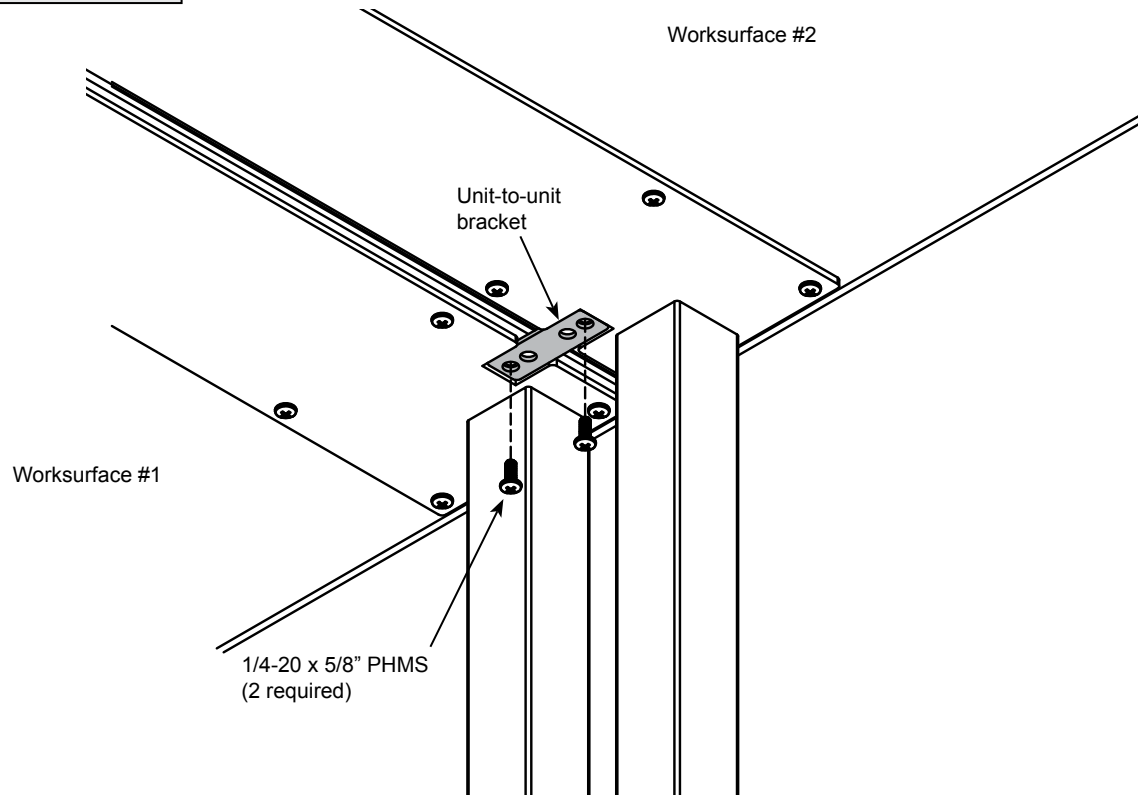


Figure 2

3. Moving Tables

1. If moving a table with the glide / caster combination, unlock the casters and pick up the table from the glide-side and move.
2. Lock all casters after moving.