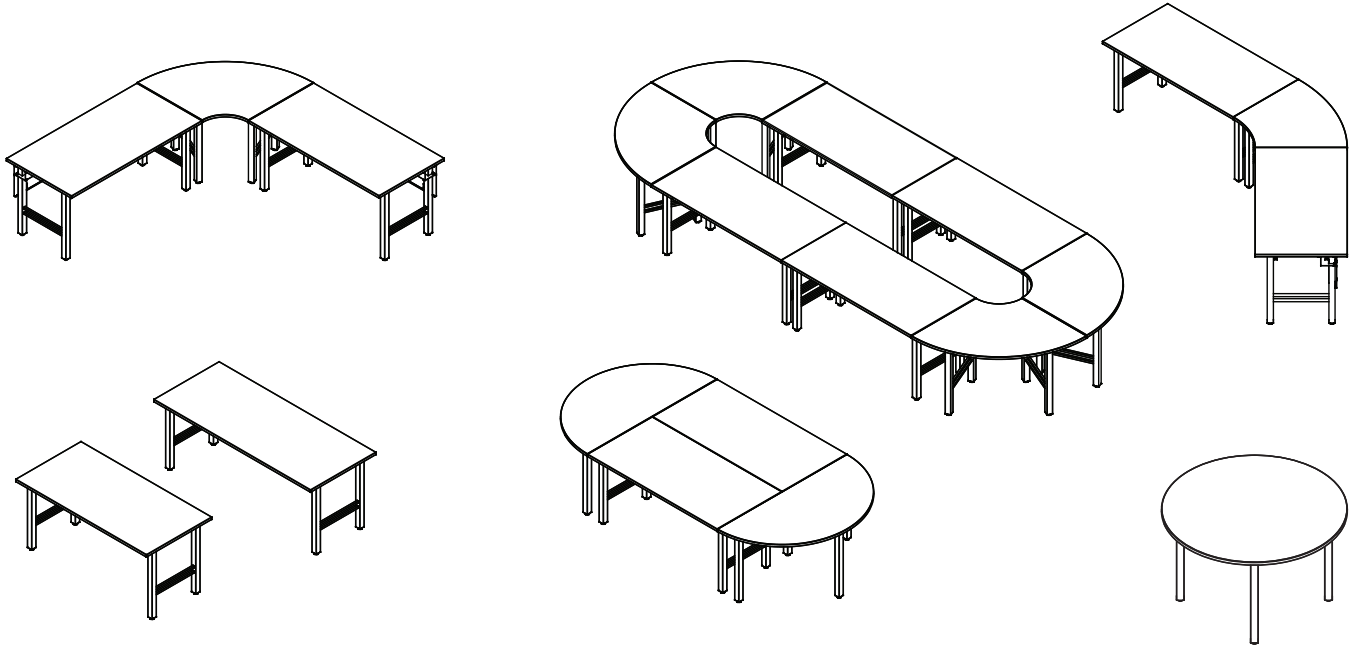


Technical Specifications

See table matrix on p.3 for product numbers, shapes, and configurations



Use the Flex Training Table System when you need a modular table system or multi-purpose collaborative/training tables for use in training/conference rooms, mailrooms, classrooms, and computer labs. The tables are available in a wide variety of shapes and sizes making endless layout possibilities. High pressure laminate worksurfaces and powder coated heavy steel legs make a durable, long lasting table. Add optional modesty panel, and/or cord channel for cable management.

Features and Benefits

- Available in a wide variety of sizes and depths
- Durable powder coated steel legs provide a long-lasting finish
- Scratch and impact-resistant high-pressure laminate top provides a durable, useful worksurface
- Durable 3mm black edge band protects worksurface edges
- Worksurface brace incorporated into all tables to minimize flexing
- ADA-compliant knee clearance under worksurface
- Leveling glides keep desk level on uneven surfaces
- Mobile versions with two or four casters make it a breeze to rearrange rooms
- Unit-to-unit brackets included to attach tables together if necessary (set of two included with each table)
- Wide variety of standard color combinations available to match existing desks
- Table ships "knocked-down" and can be assembled at the final location for easy installation and lower shipping costs
- Optional cord channel manages cables and wires when tables are used with laptops
- Optional modesty panel can be used with or without cord channel
- Warranted to be free of all defects in materials and workmanship for 10 years
- Designed and assembled in Chippewa Falls, WI, USA

Sizes
<ul style="list-style-type: none"> • 72", 60"W • 30", 24"D

Legs
<ul style="list-style-type: none"> • 4 glides • 2 glides / 2 casters • 4 casters


Color Options

See spectrumfurniture.com for complete color options and combinations.

Construction

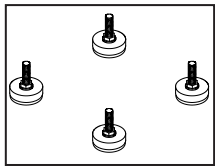
- The worksurface is constructed from 1" thick NAF (no added formaldehyde) composite board with .030" high-pressure laminate on one face, and a balancing phenolic backer on the opposing face
- Worksurface edges are covered with 3mm vinyl
- The welded legs are 16-gauge, 2" and .75" rectangular steel tubing with reinforcing 7-gauge steel plate
- The formed worksurface brace is 14-gauge steel
- The optional cord channel and modesty panel are 20-gauge steel
- All metal components are finished with a scratch-resistant powder coat epoxy
- Tables are shipped (KD) (Knocked-Down) and require assembly

Specifications

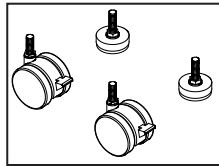
Widths available	72"W, 60"W	
Depths available	24"D, 30"D	
Worksurface height	29"H	
Casters (<i>caster-versions only</i>)	Weight capacity: 100 lb each	
ADA-compliance*		Knee clearance: 60"W - 53.25"W x 24" or 30"D x 28"H (1 ADA seat) 72"W - 65.25"W x 24" or 30"D x 28"H (2 ADA seats) <small>*Minimum ADA guidelines for knee clearances are 30"W x 19"D x 27"H</small>
Seating		60"W - 2 people 72"W - 2 people
		1/8 round - 1 person 1/4 round - 1 person 1/2 round - 2 people
Certifications / Compliance	<ul style="list-style-type: none"> • SCS Indoor Advantage Certified 	<ul style="list-style-type: none"> • Meets or exceeds applicable ANSI-BIFMA test standards
Shipping weights (nominal)	see table matrix	

Specifications subject to change without notice

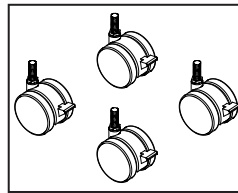
Leg Options



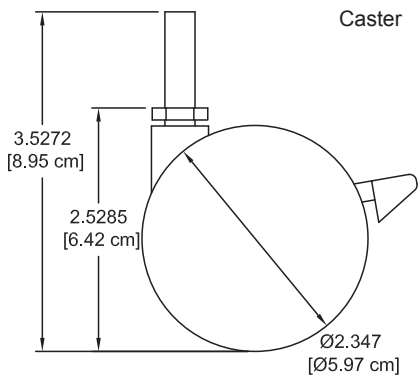
4 Glides



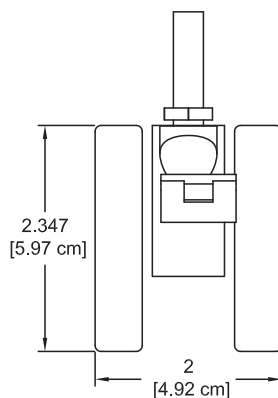
2 Glides / 2 Casters



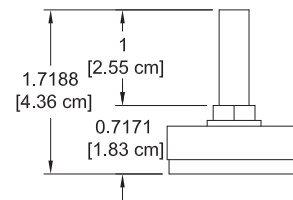
4 Casters



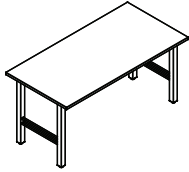
Caster



Glide

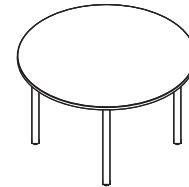
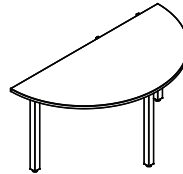
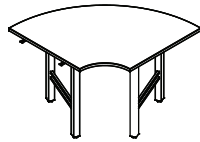


Note: Casters are made of "soft rubberized" plastic and are only used with shorter legs designed specifically for casters. They cannot be used with the taller "glide-only" leg style.



Flex Training Table Matrix

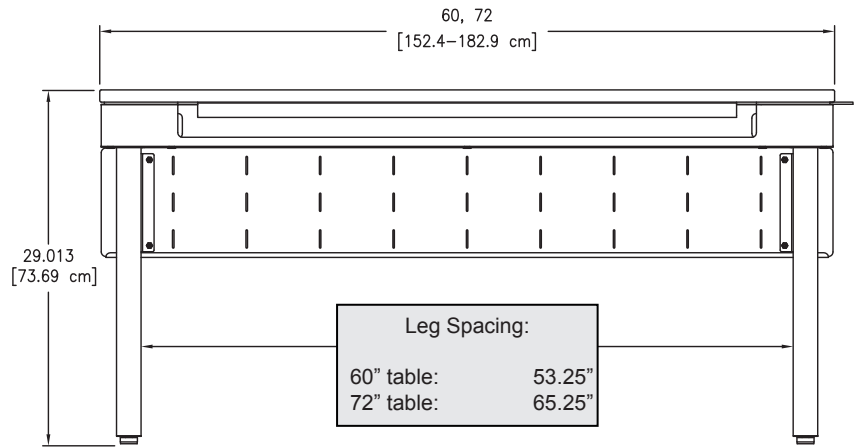
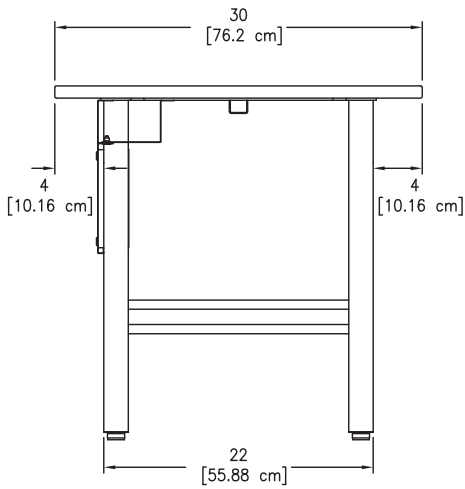
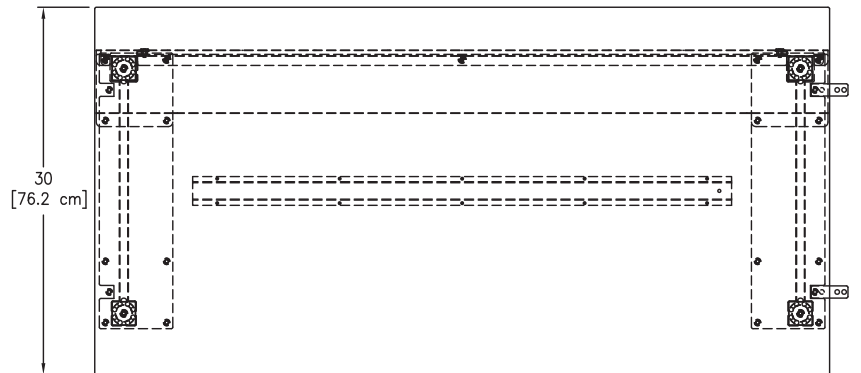
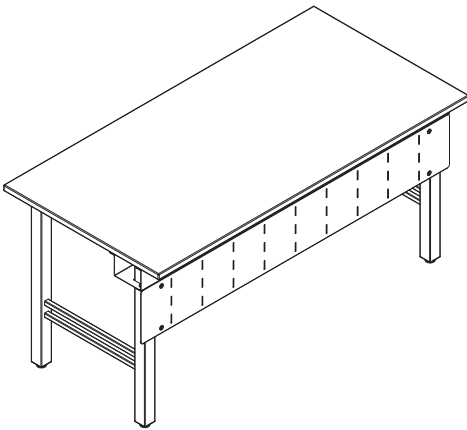
Product #	Shipping weight (nominal)	Worksurface				Leg options		
		Width		Depth		4 Glides	2 Glides / 2 Casters	4 Casters
		60"	72"	24"	30"			
37260	88 lb [40 kg]	✓		✓		✓		
37261	99 lb [45 kg]		✓	✓		✓		
37266	88 lb [40 kg]	✓		✓			✓	
37267	99 lb [45 kg]		✓	✓			✓	
37272	88 lb [40 kg]	✓		✓				✓
37273	99 lb [45 kg]		✓	✓				✓
37263	99 lb [45 kg]	✓			✓	✓		
37264	110 lb [50 kg]		✓		✓	✓		
37269	99 lb [45 kg]	✓			✓		✓	
37270	110 lb [50 kg]		✓		✓		✓	
37275	99 lb [45 kg]	✓			✓			✓
37276	110 lb [50 kg]		✓		✓			✓



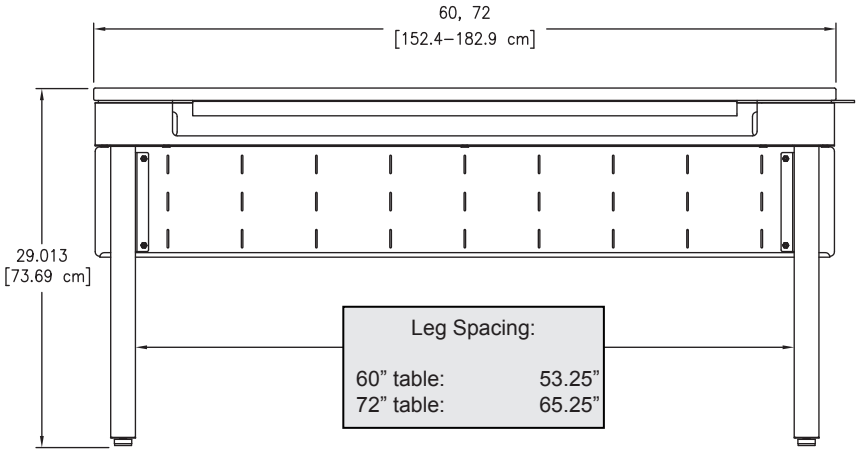
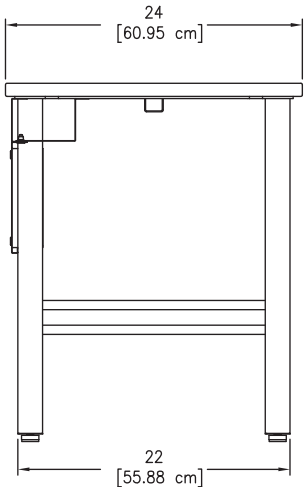
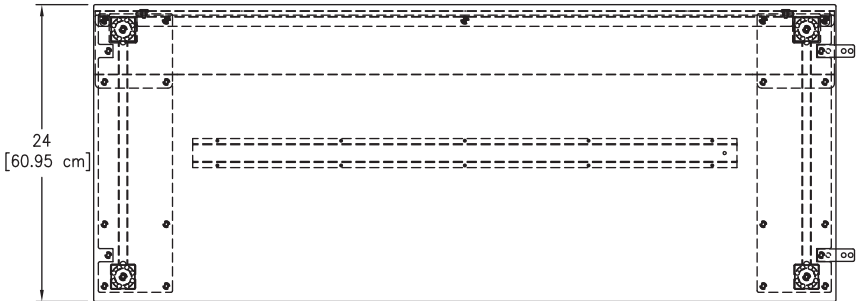
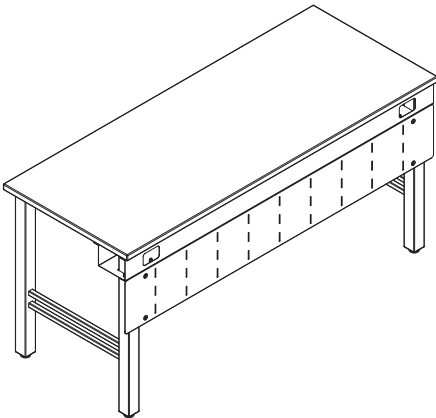
Additional Table Shapes

Product #	Shipping weight (nominal)	Worksurface				Depth		Leg options
		1/8	1/4	1/2	Circle	24"	30"	
37295	61 lb [27.7 kg]	✓				✓		✓
37296	64 lb [29 kg]		✓			✓		✓
37297	67 lb [30.4 kg]	✓					✓	✓
37298	74 lb [33.6 kg]		✓				✓	✓
37251	62 lb [28.1 kg]			✓		✓		✓
37252	74 lb [33.6 kg]			✓			✓	✓
37250	85 lb [38.6 kg]				✓	48" Dia		✓

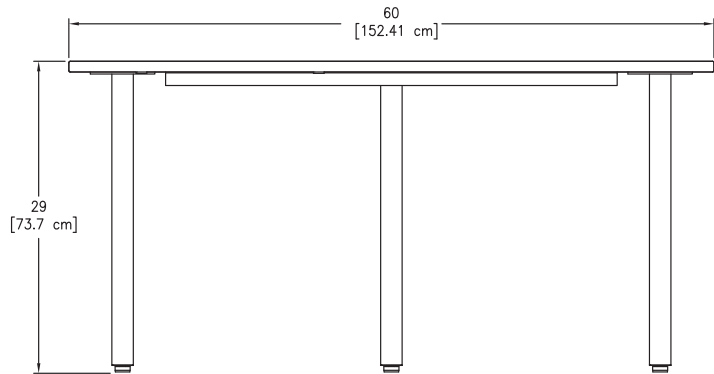
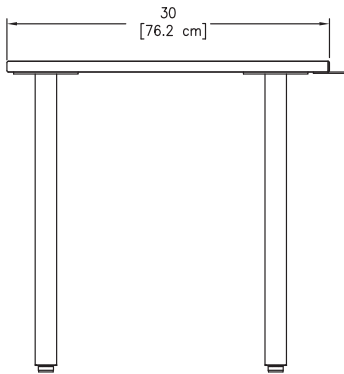
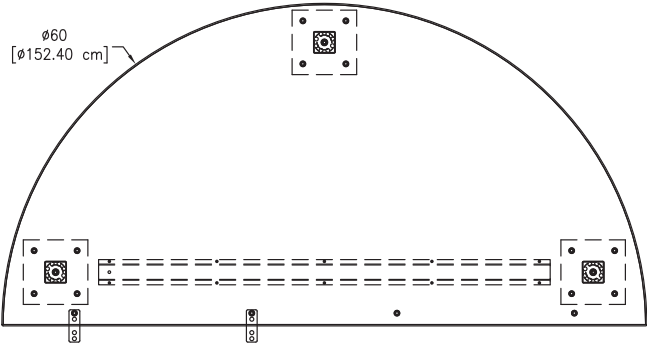
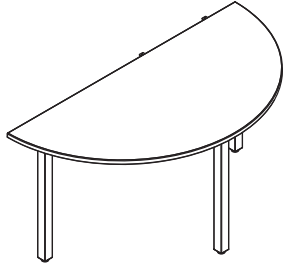
30"D Training Table
 (shown with optional cord
 channel and modesty panel)



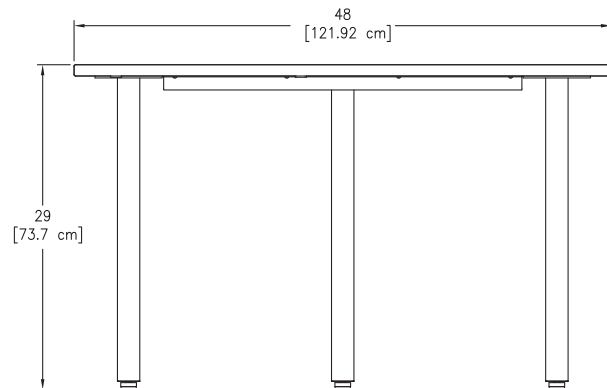
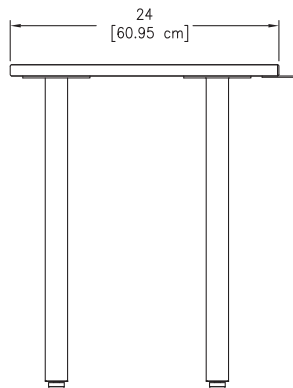
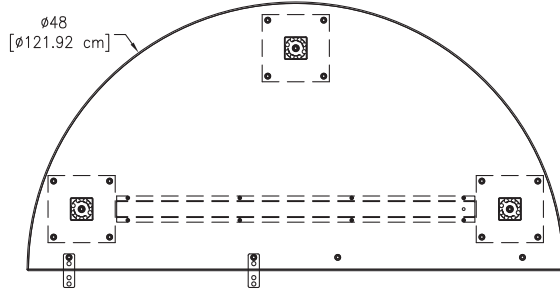
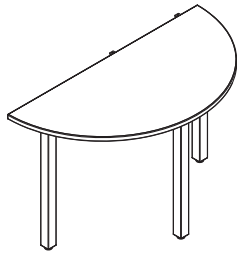
24"D Training Table
 (shown with optional cord
 channel and modesty panel)



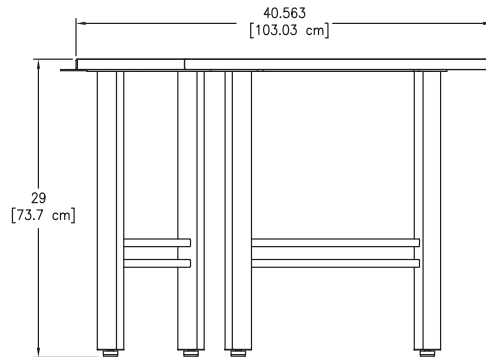
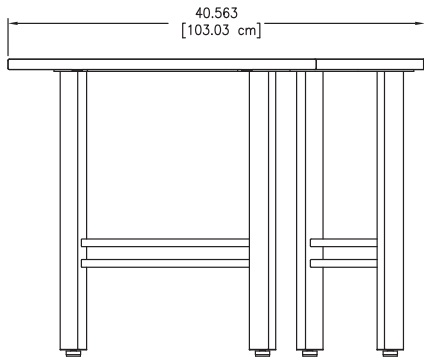
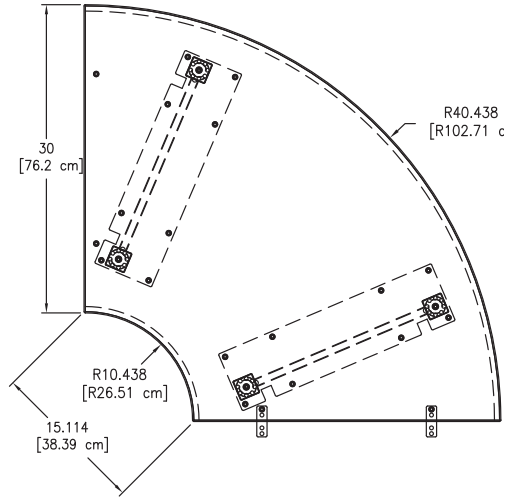
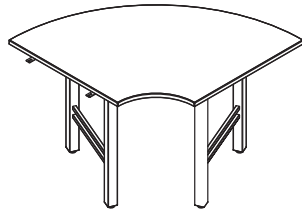
1/2 Round Training Table - 60" dia
 37252
 (use with 30"D tables)



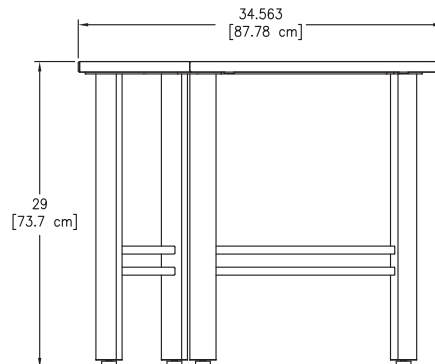
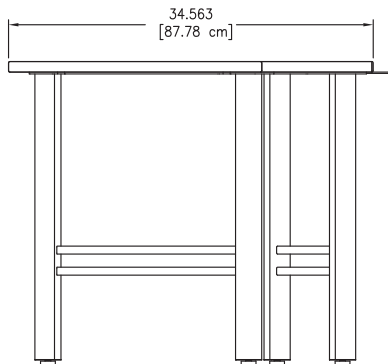
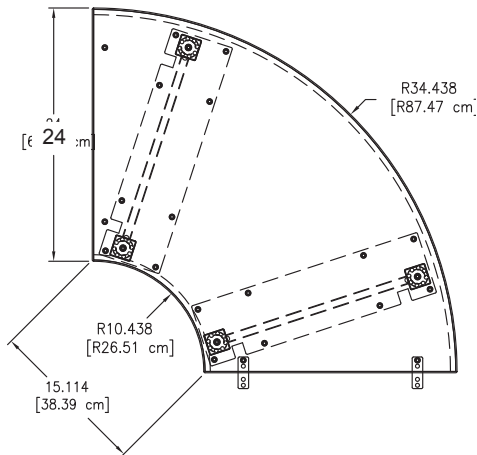
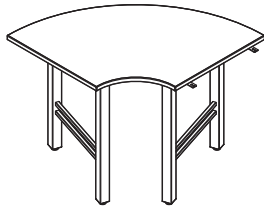
1/2 Round Training Table - 48" dia
 37251
 (use with 24"D tables)



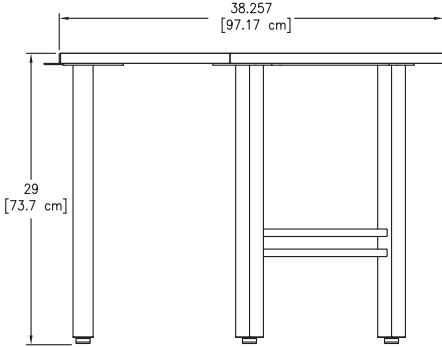
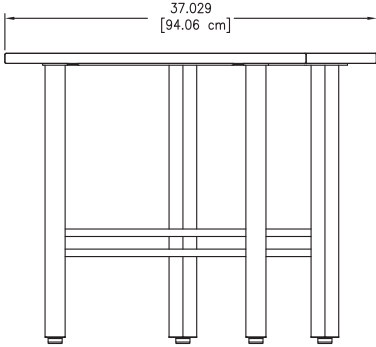
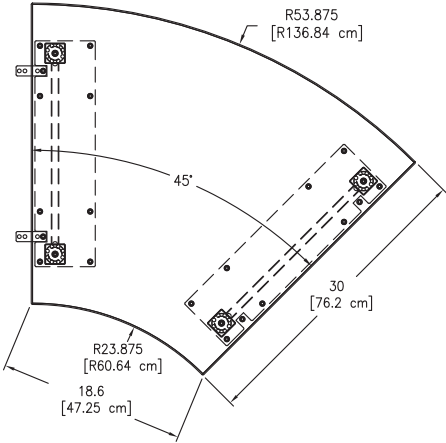
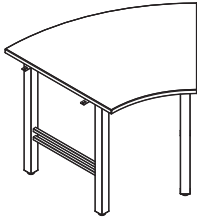
1/4 Round Training Table (30"D)
37298



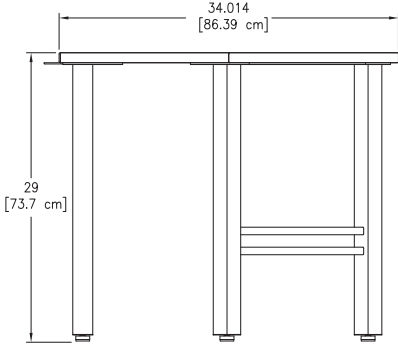
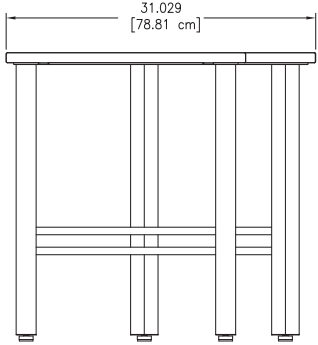
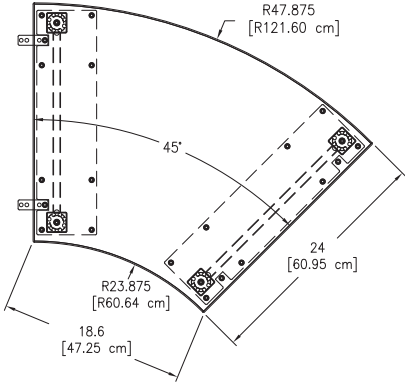
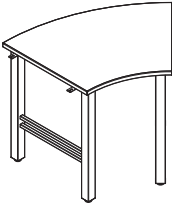
1/4 Round Training Table (24\"/>



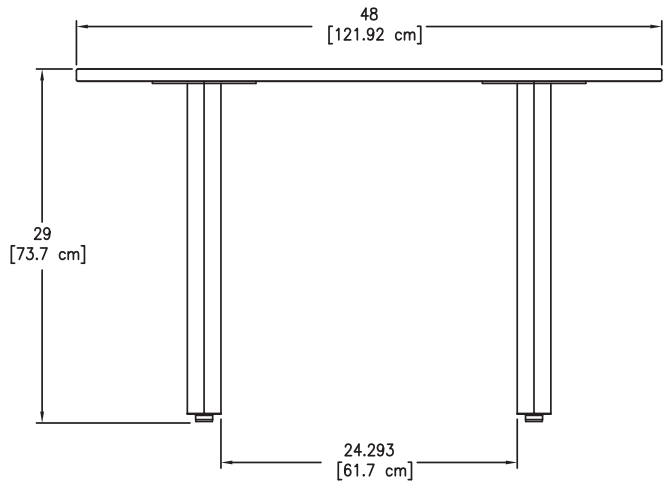
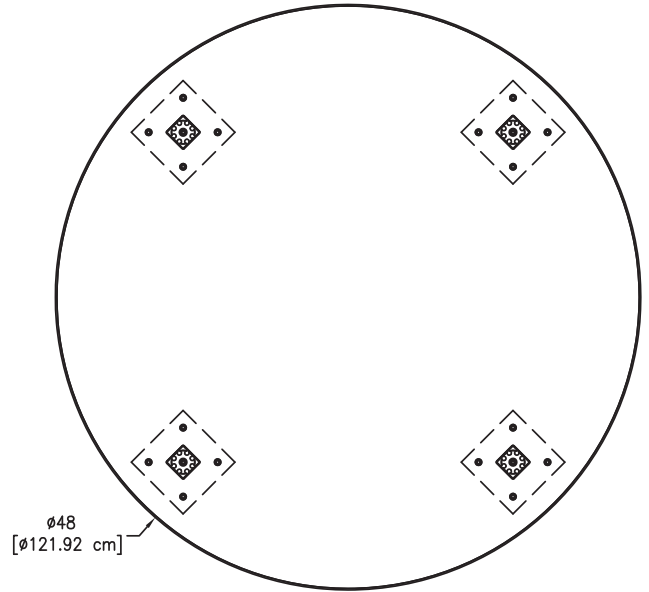
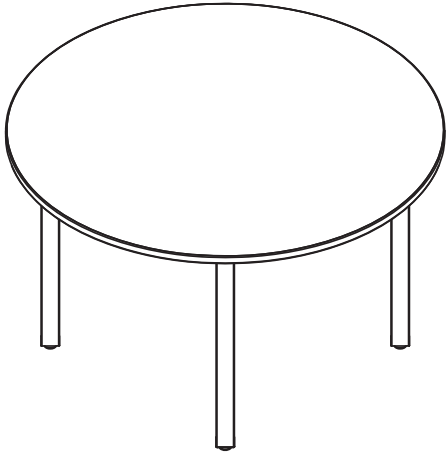
1/8 Round Training Table (30"D)
37297



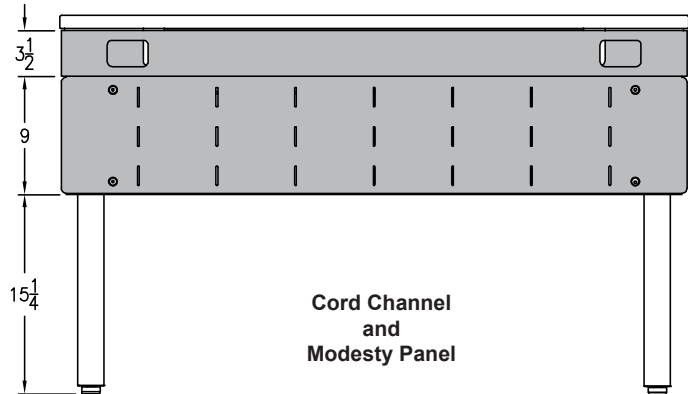
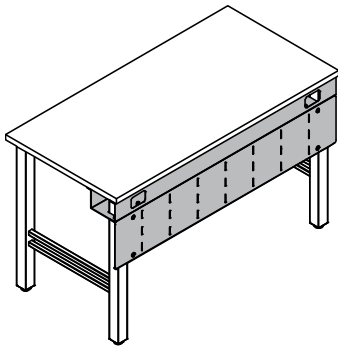
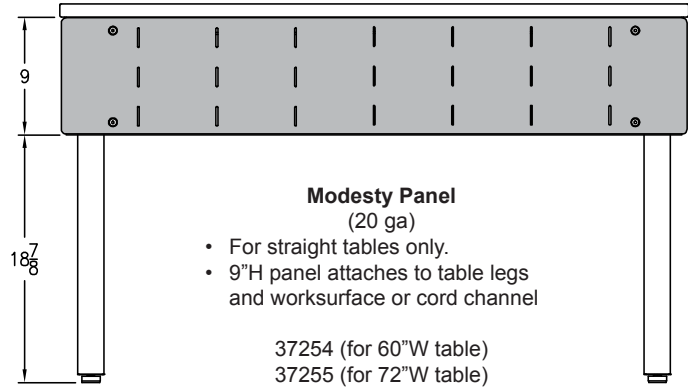
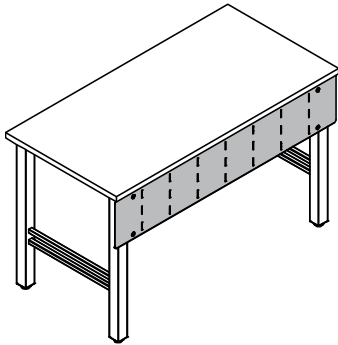
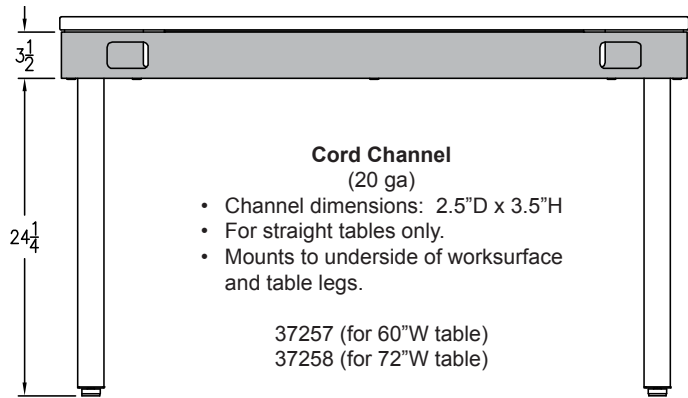
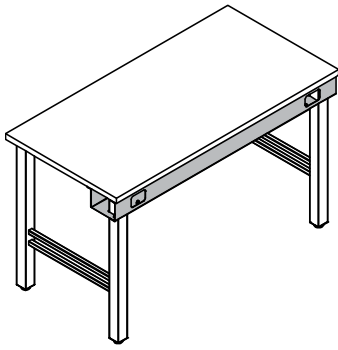
1/8 Round Training Table (24"D)
37295



Round Training Table (48" Dia)
37250



Accessories



Note: Optional cord channels and modesty panels fit straight tables only.



Seclusion Power Module - 99041, 99042

- 99041 - 1 AC outlet, 2 USB ports
- 99042 - 2 AC outlets, 2 CAT 6 data ports
- Easy installation above or below worksurface-no cutouts required
- USB ports charge any electronic device that is capable of being charged via a 5V power adapter
- USB Rating: 700mA 5V DC
- Available in Black or Silver
- UL / CUL Listed

Warranty

We will make it right for you!

Spectrum is committed to provide complete customer satisfaction. Each of our products is manufactured from the best materials available and each product is stringently monitored throughout the production process through our P.A.C.E. program (Product Assurance to meet Customer Expectations).

We expressly warrant that Spectrum products will be of good quality and workmanship and free from defect for the period set out in the warranty table below from the date of delivery. This warranty shall not apply to defects or damage resulting from misuse, abuse, neglect, improper care, modification or repair not authorized by Spectrum, or any other cause outside the control of Spectrum. Spectrum will, at its sole option, either repair or replace the defective product.

This warranty is exclusive; no other warranty, written or oral, is expressed or implied. This warranty is given by Spectrum to Buyer and to no other person or legal entity. No Spectrum dealer, distributor, agent or employee is authorized to make any modification or addition to this warranty.

NOTWITHSTANDING ANYTHING TO THE CONTRARY, SPECTRUM WILL NOT UNDER ANY CIRCUMSTANCES BE LIABLE FOR INDIRECT OR LIQUIDATED DAMAGES, INCLUDING CONSEQUENTIAL, INCIDENTAL AND SPECIAL DAMAGES. IN NO EVENT SHALL SPECTRUM'S LIABILITY, WHETHER UNDER CONTRACT OR WARRANTY, IN TORT OR OTHERWISE, EXCEED THE PURCHASE PRICE RECEIVED BY SPECTRUM FOR THE PRODUCT AT ISSUE AND "RECALL ACTION" EXPENSES. SPECTRUM SHALL NOT BE SUBJECT TO ANY OTHER OBLIGATIONS OR LIABILITIES, WHETHER ARISING OUT OF BREACH OF CONTRACT, WARRANTY, TORT (INCLUDING NEGLIGENCE AND STRICT LIABILITY) OR OTHER THEORIES OF LAW, WITH RESPECT TO PRODUCTS SOLD OR SERVICES RENDERED BY SPECTRUM, OR ANY UNDERTAKINGS, ACTS OR OMISSIONS RELATING THERETO.

Our Customer Service Department is ready to provide immediate attention to any questions, comments or concerns. They are available to answer your calls Monday through Friday from 7 am to 5 pm CST. In addition your product comments or concerns are welcome via e-mail at: spectrum@spectrumfurniture.com.

Warranty Table

Item	Warranty Period
Adjustable Crank / Electric Desk Legs	• 1 Year
Flat Panel Desk Gas Cylinders	
Chairs <ul style="list-style-type: none"> • Adjustable Height Chair Parts – including frames, gas cylinders, wood and plastic parts, control handles, casters • Adjustable Height Chair Upholstery • In-Stock Upholstery • Graded-In Fabrics and Customer Owned Material 	<ul style="list-style-type: none"> • 7 Years • 2 Years • 2 Years • No Warranty
Height Adjustable Columns and Lifts	• 1 Year
General Use Casters	
Electrical (including timers and LINAK actuators)	• 2 Years
Keyboard / Mouse Trays	• 1 Year
Flat Panel Monitor Arms <ul style="list-style-type: none"> • Flat Panel Monitor Arm – General Parts • Flat Panel Monitor Arm – Gas Cylinders 	• 10 Years
Desks and Lecterns <ul style="list-style-type: none"> • Computer Desk Chassis • Cart Chassis • Lectern Chassis 	• 10 Years

