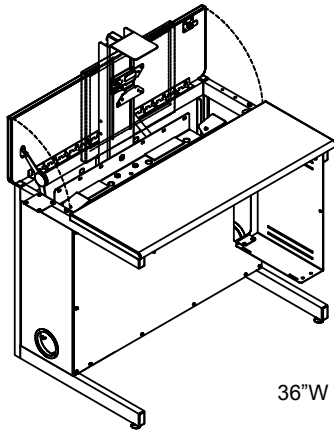
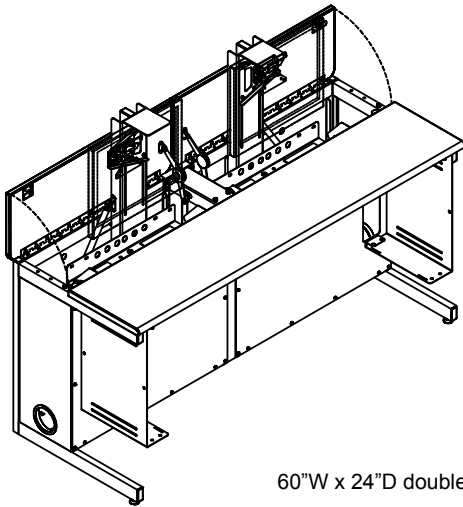


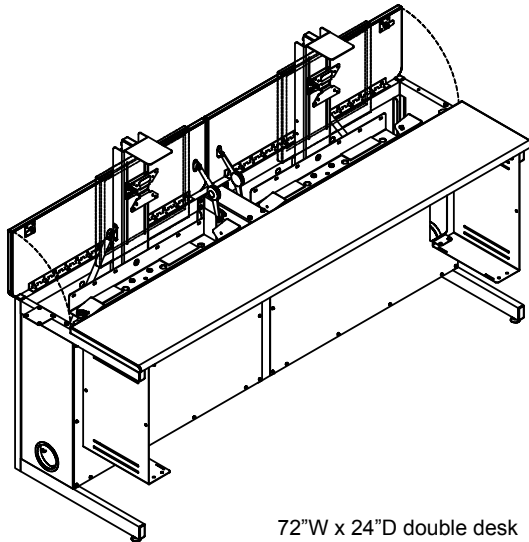
Technical Specifications




36"W x 24"D single desk



60"W x 24"D double desk

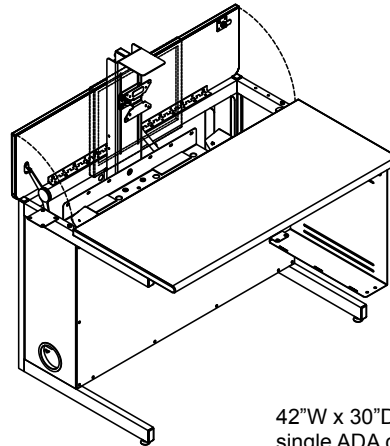


72"W x 24"D double desk

		with lock(s)	without lock(s)
24"D	36"W x 24"D single desk	38973	38972
	60"W x 24"D double desk	38975	38974
	72"W x 24"D double desk	38977	38976
30"D	36"W x 30"D single desk	38958	38955
	60"W x 30"D double desk	38971	38970
	72"W x 30"D double desk	38960	38957
	42"W x 30"D single desk with ADA clearance 	38959	38956



205 Westwood Ave, Long Branch, NJ 07740  
Phone: 866-94 BOARDS (26273) / (732)-222-1511  
Fax: (732)-222-7088 | E-mail: sales@touchboards.com



42"W x 30"D single ADA desk



**Color Options**

Standard laminate / color combinations

Wild Cherry / Black (CHB)



Indigo Organix / Black (IB)



Fusion Maple / Black (FMB)



The Flex Insight Computer Desk was designed to maximize classroom space and functionality. The desk allows a lecture room to be converted to a computer lab and back in a matter of seconds by bringing a recessable computer monitor to the user with manual lift. The monitor can be lowered just as quickly when not needed. Available in single (36" and 42" ADA), and double (60", 72") versions.

Standard color combination refers to the quickest deliverable product color combination. Custom laminates and color combinations are available-additional lead-times and up-charges may apply. Call 1-800-235-1262 for further information.

## Features and Benefits

- Desks provide the ability to reconfigure any classroom from a lecture room (lowered monitor, keyboard, and mouse with lid closed), into a computer lab (raised monitor, keyboard, and mouse)
- Proven, manually-actuated monitor column design with three 100 lb [45.4 kg] rated, full-extension ball bearing slides and U-channel provide smooth operation, reliability, and long life
- Removable rear panel provides security and wiring access (secured with 4mm JC bolts and hex wrench)
- 9" [22.9 cm] deep wiring tray conveniently keeps power and communication wires and cables out of the way, is wide enough to accept most surge-protected power strips, and has two cutouts for floor power access
- Lifting handle / platform above monitor column provides easy column movement and protects monitor from damage when extending / retracting
- Adjustable CPU sling with heavy-duty adjustable straps will fit 4" [10.2 cm] to 8" [20.3 cm] wide computer towers up to 18" [45.7 cm] high
- Wire loom protects wires and cables between CPU and monitor during monitor column movement
- Large rectangular access cutout behind CPU tower provides direct access to CPU connections and cables
- Adjustable-height, pivoting VESA mount system for flat panel monitor provides ergonomic up/down, left/right articulation while preventing monitor damage during column movement (75mm and 100mm VESA compatible)
- Proven, adjustment-free pneumatic-assist lift cylinder provides easy extension, retraction, and years of trouble-free performance
- Quick-connect unit-to-unit brackets allow desk frames to be solidly connected together in rows
- 24" deep desk models maximize classroom density
- Desk provides a nominal 16" [40.6 cm] of lift above the table worksurface and supports most 16:9 monitors up to 24" [61 cm] diagonal, weighing between 7-14 lb [3.2-6.4 kg]
- Monitor compartment lid protects and secures the flat panel monitor, keyboard, and mouse (one lid on 36"W and 42"W, two on 60"W and 72"W)
- Friction dampener on monitor lid provides support and dampening, and slows the lowering of the lid to keep hands and fingers safe
- Cables and wires are protected from student-access in an enclosed metal compartment to prevent tampering
- Zip ties in wiring tray secure power cables and wires
- Large, 4" [10.2 cm] side-panel cord management grommets create a continuous cord path when desks are placed side-by-side
- Scratch and impact-resistant high-pressure laminate top provides a durable worksurface
- Ergonomic, bullnose front edge is easy on wrists
- SCS Indoor Advantage Certified; meets or exceeds applicable ANSI-BIFMA test standards
- Warranted to be free of all defects in materials and workmanship for 10 years, 1-year on pneumatic lift cylinder
- Assembled in Chippewa Falls, WI, USA

## Construction

- The top worksurface is constructed from 1.063" [2.7 cm] thick NAUF (No Added Urea Formaldehyde) composite board with .030" [.762 mm] high-pressure laminate, and a balancing phenolic backer on the bottom side. The left, right, and rear edges are finished with 3mm vinyl edge-band.
- The monitor compartment lid worksurface is constructed from .75" [1.9 cm] thick industrial-grade composite board with .030" [.762 mm] high-pressure laminate on both sides-all edges are finished with 3mm vinyl edge-band
- CPU sling has two 1" [2.54 cm] nylon straps with a locking buckle to secure CPU
- Welded, 16-gauge 1" [2.54 cm] x 2" [5.1 cm] rectangular steel tube legs
- Upper leg panel, 14 gauge
- Worksurface edges are covered with 3mm vinyl
- All metal components are finished with a scratch-resistant powder coat epoxy
- Each Flex Insight Desk is factory-assembled with sling(s), VESA mount, and packaged and shipped on its own skid. Standard shipped configuration is for use with monitor(s) and CPU tower(s). Customer installs glides.

Qty	Included with each desk:
1 or 2	CPU sling(s) (each sling includes two heavy-duty 1" [2.54 cm] nylon straps)
1 or 2	Swivel VESA mount(s) with mounting screws
1 or 2	Internal heavy-duty metal keyboard / mouse tray
10-single desk 15-double desk	Plastic zip ties (for securing cords)
1	Unit-to-unit bracket
4	1/4-20 x 15mm JC bolts (for unit-to-unit bracket)
4	5/16-18 Glides
2	Keys included with each lock (locking versions only)
1	4mm Hex wrench for instructor-access and VESA mount attachment
1	Glide wrench

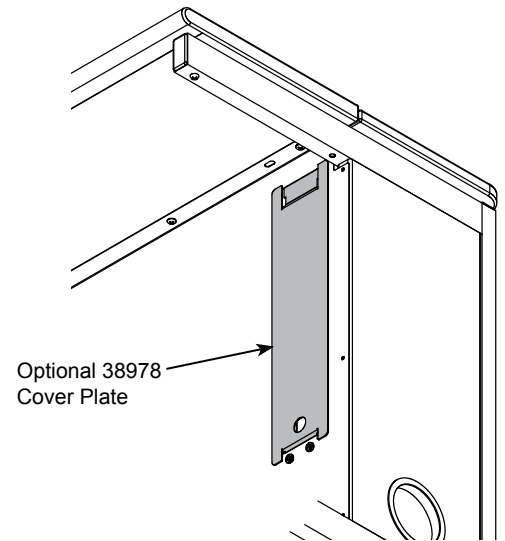
# Specifications

Maximum monitor capacity	24"W [60.96 cm] x 5.5"D [13.97 cm] x 16"H [40.64 cm] (36"W, 72"W, 42"W desks) 20"W [50.8 cm] x 5.5"D [13.97 cm] x 16"H [40.64 cm] (60"W desks)	
Available desk sizes	24"D desks 36"W [91.4 cm] - (single desk) 60"W [152.4 cm] - (double desk) 72"W [182.9 cm] - (double desk)	30"D desks 36"W [91.4 cm] - (singled desk) 60"W [152.4 cm] - (double desk) 72"W [182.9 cm] - (double desk) 42"W [106.7 cm] - (single ADA desk)
Worksurface height	29"H [73.66 cm]	
Lift mechanism	Manually-actuated with pneumatic spring-assist	
Lift capacity	7-14 lb [3.18-6.36 kg] - (factory preset)	
CPU sling (1 sling on single desks, 2 on double desks)	4-8"W [10.2-20.3 cm] x 12"D [30.5 cm] x up to 18"H [45.7 cm] (24"D desks) 4-8"W [10.2-20.3 cm] x 18"D [30.5 cm] x up to 18"H [45.7 cm] (30"D desks)	
Wiring tray dimensions (nominal)	32"W x 9.75"D x 3.75"H - (36"W single desk) 53"W x 9.75"D x 3.75"H - (60"W double desk) 64"W x 9.75"D x 3.75"H - (72"W double desk) 37"W x 9.75"D x 3.75"H - (42"W single ADA desk)	
Wiring tray power cutouts	5"W x 3.125"D (two per tray)	
ADA-compliance* (42"W x 30"D ADA version only)	Knee clearance: 33.625"W [85.4 cm] x 19"D [48.26 cm] x 28"H [71.1 cm] (1 person per desk)	*Minimum ADA guidelines for knee clearances are 30"W [76.2 cm] x 19"D [48.3 cm] x 27"H [68.6 cm]
Unit weights (nominal)	24"D desks 115 lb [52.2 kg] - (36"W single) 134 lb [60.8 kg] - (60"W double) 205 lb [93.1 kg] - (72"W double)	30"D desks 107 lb [48.6 kg] - (36"W single) 149 lb [67.6 kg] - (60"W double) 206 lb [93.5 kg] - (72"W double) 120 lb [54.5 kg] - (42"W single ADA)
Shipping weights (nominal)	24"D desks 152 lb [69 kg] - (36"W single) 194 lb [88.1 kg] - (60"W double) 265 lb [120.3 kg] - (72"W double)	30"D desks 144 lb [65.4 kg] - (36"W single) 209 lb [94.9 kg] - (60"W double) 266 lb [120.7 kg] - (72"W double) 157 lb [71.3 kg] - (42"W single ADA)



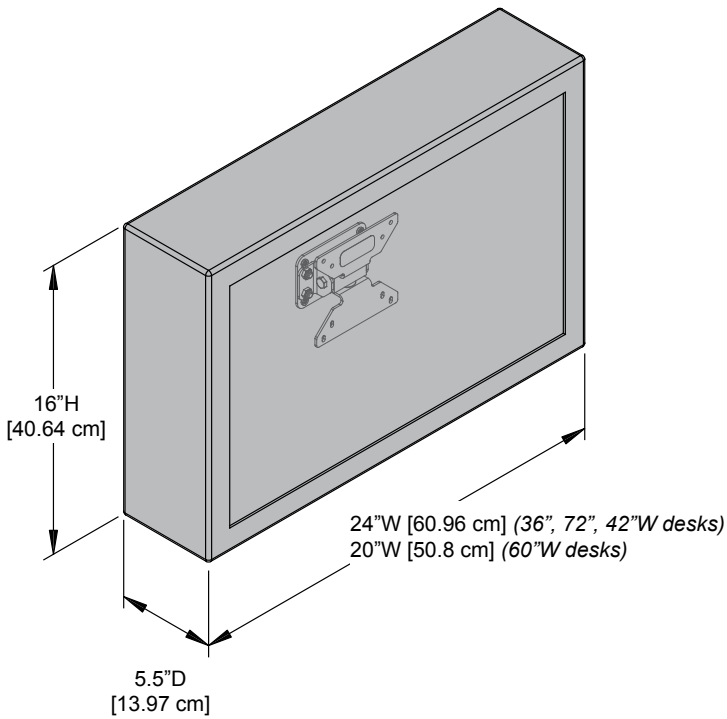
Specifications subject to change without notice

	<b>Compatibility:</b>
Flat Panel / All-in-one Monitor(s)	16:9 aspect ratio
	Up to 24"W [61 cm] (36", 72", 42"W desks) x 5.5"D [13.97 cm] x 16"H [40.64 cm]
	Up to 20"W [50.8 cm] (60"W desks)
	7-14 lb [3.2-6.4 kg]
	Removable base
CPU Tower(s)	75mm or 100mm VESA mount
	4-8"W [10.2-20.3 cm] x 18"D [45.72 cm] (30"D desks)
	12"D [30.48 cm] (24"D desks)
	x up to 18"H [45.72 cm]



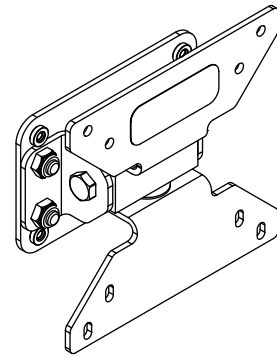
Note: The standard shipped desk configuration is ready for use with monitor(s) and CPU tower(s). CPU sling(s) and bracket(s) are factory-installed.

Note: To adapt the desk to all-in-one monitor, or thin-client use, each CPU sling and bracket must be removed and an optional 38978 cover plate installed over each shroud opening.



Maximum monitor dimensions

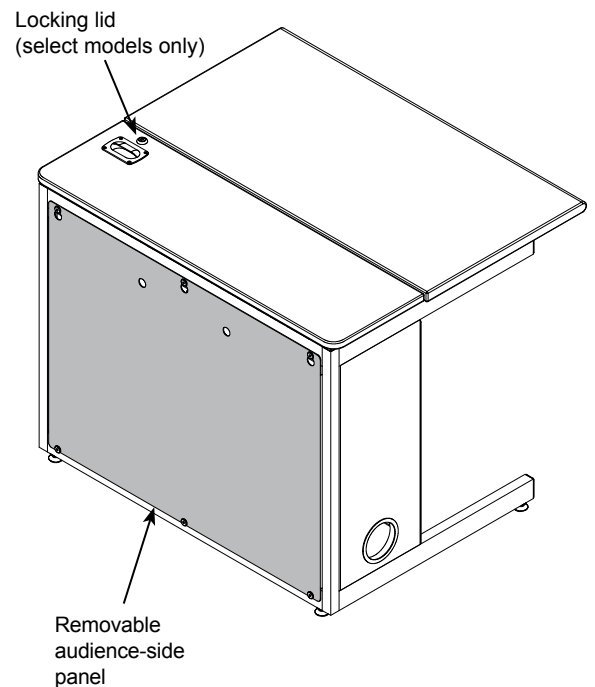
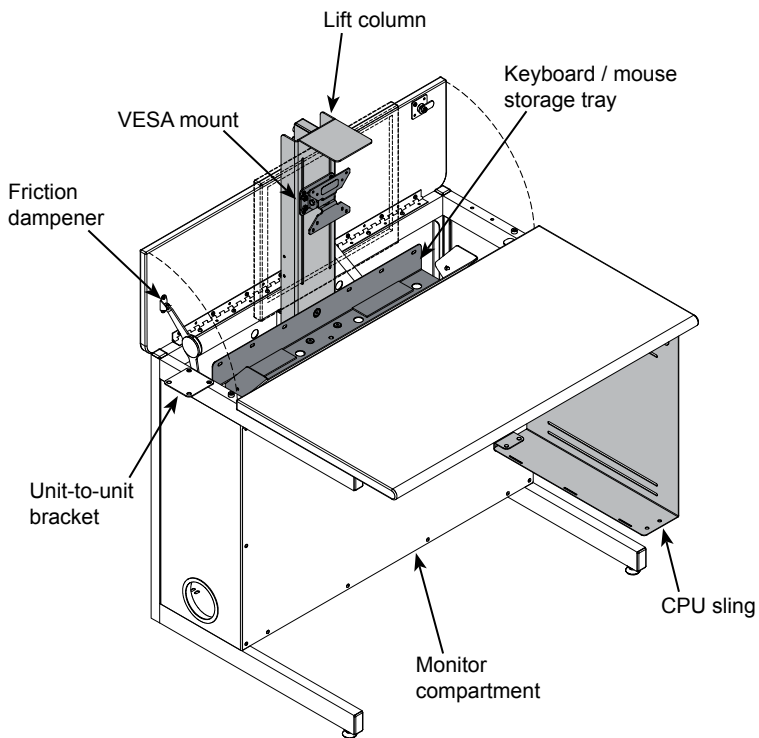
Note: The monitor width dimension is different than diagonal monitor size. Verify the width, depth, and height dimensions of your specific monitor size before ordering.



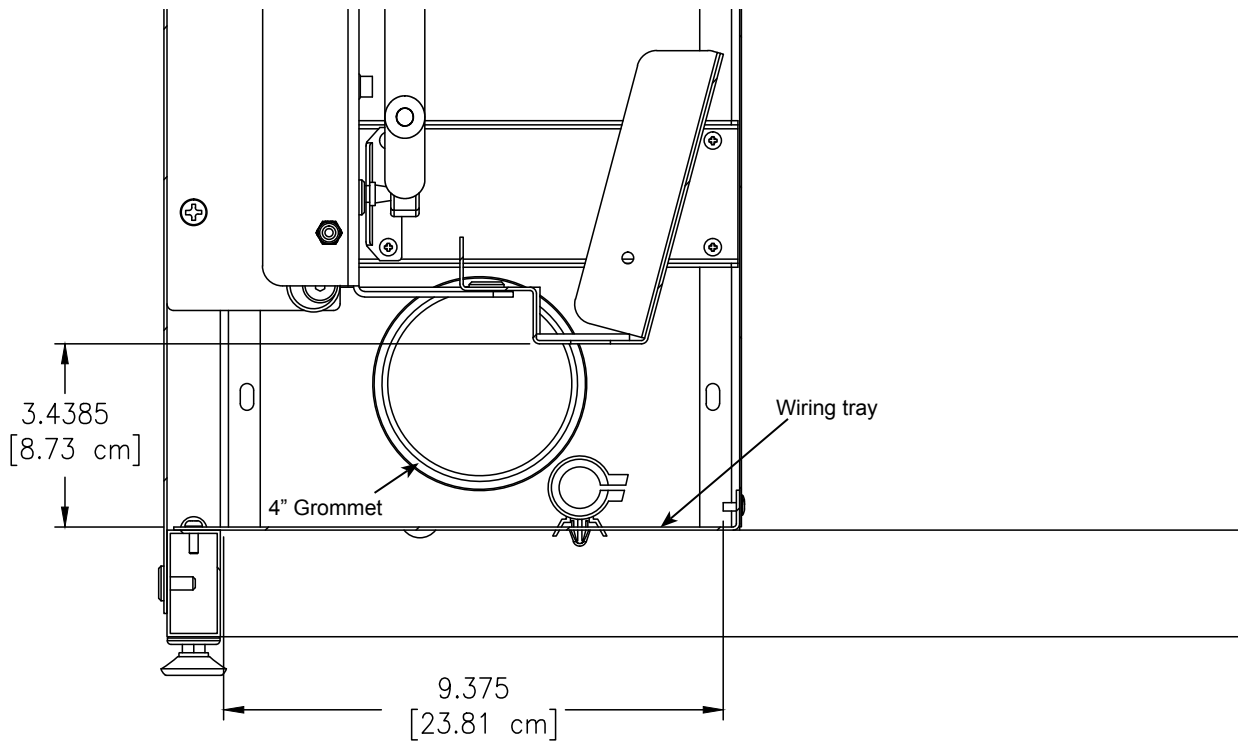
**Standard Swivel VESA Monitor Mount**

- Internal travel stops-provides 4-direction tilt  
4° left, 4° right, 16° up, and 6° down
- Works with 75mm and 100mm VESA mounts
- Includes mounting screws

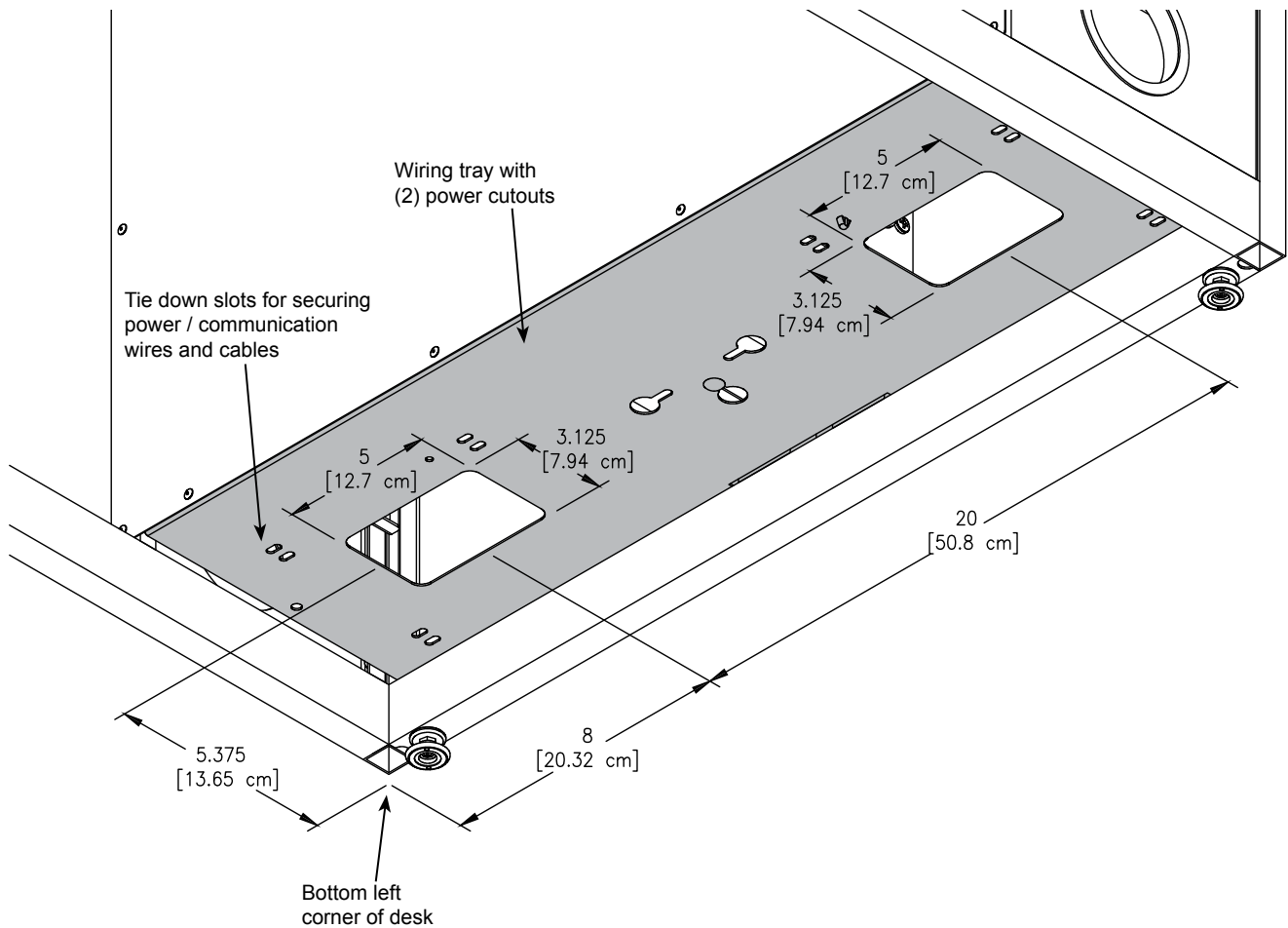
Note: Specific monitor size, shape, and mounting location will determine exact angles of tilt.

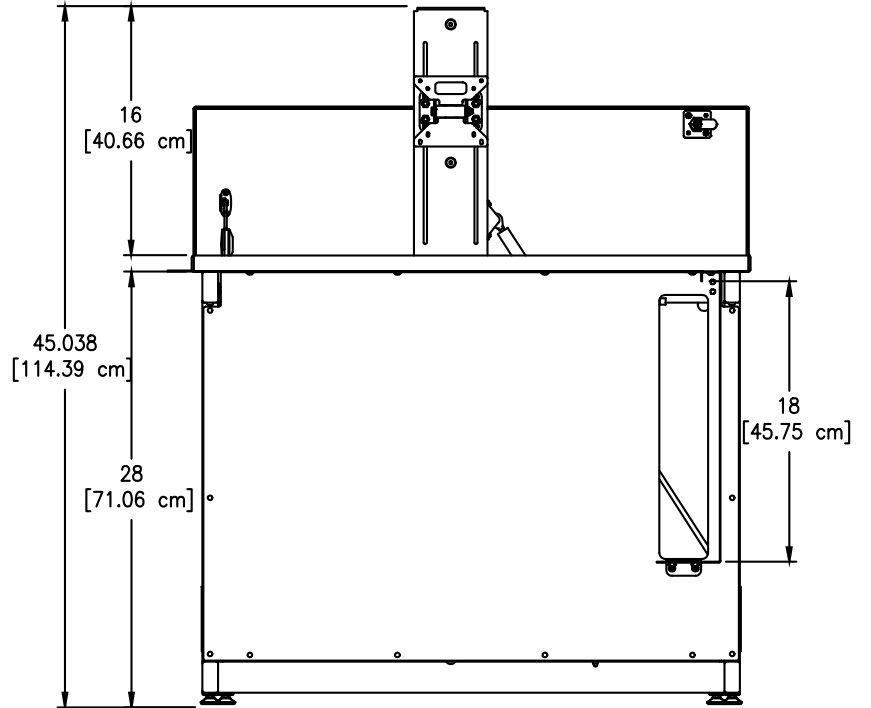
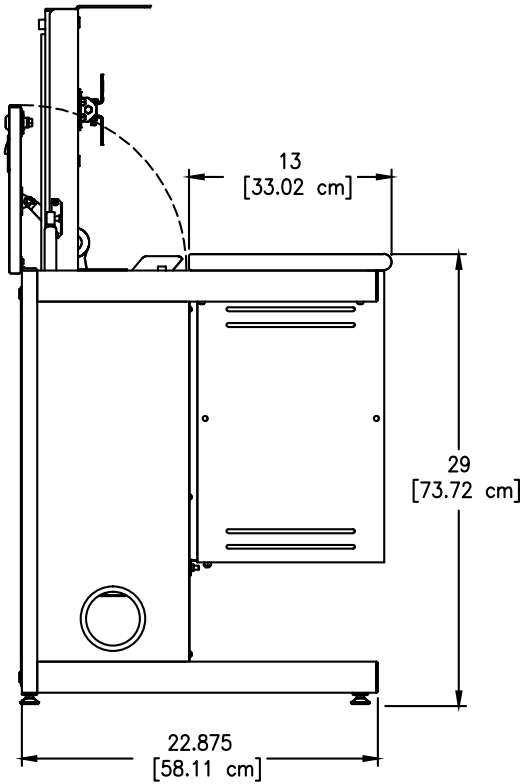
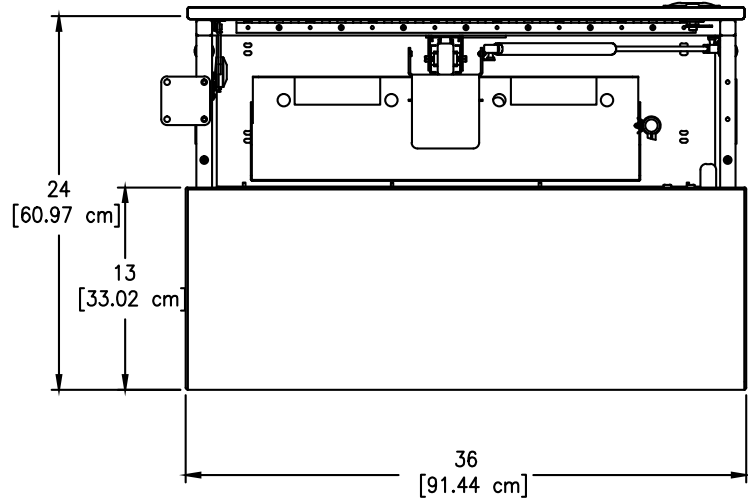
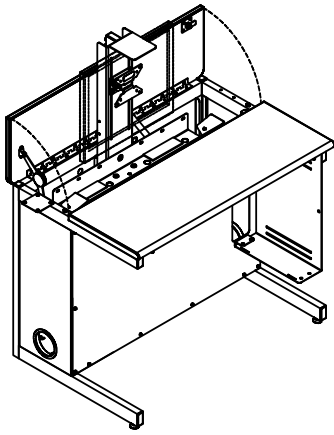


Wiring tray  
section view



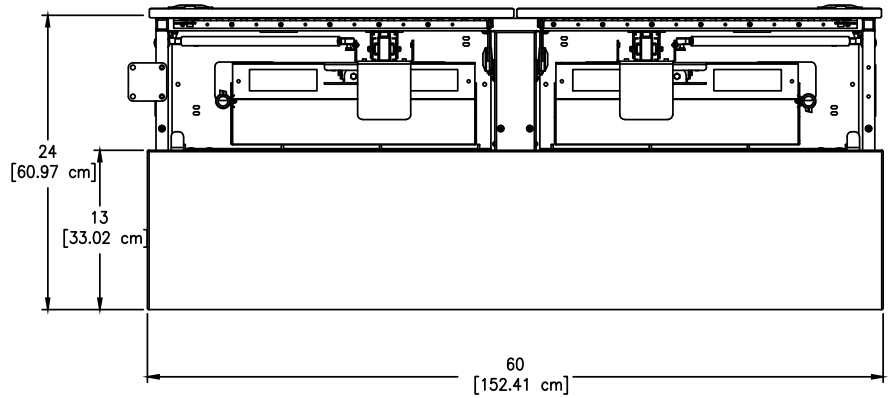
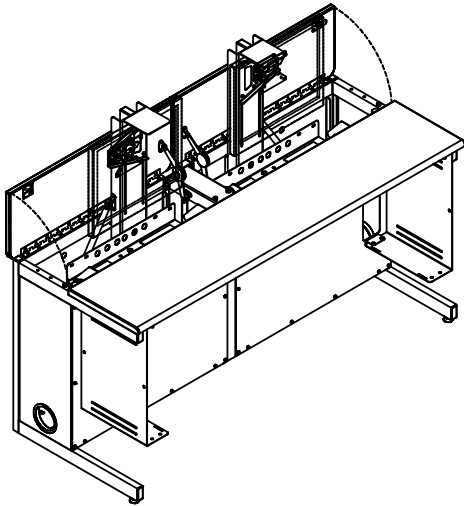
Wiring tray cutouts



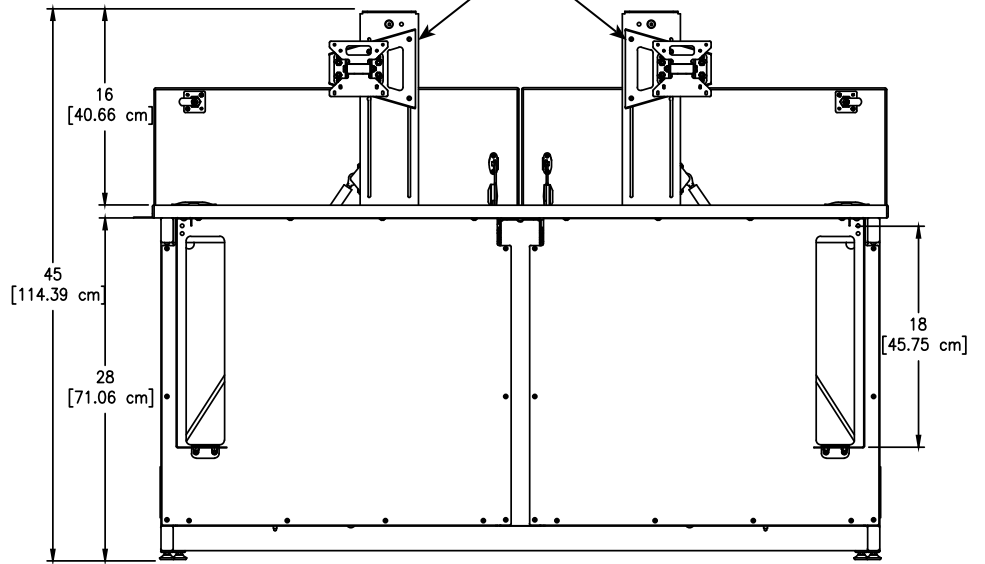
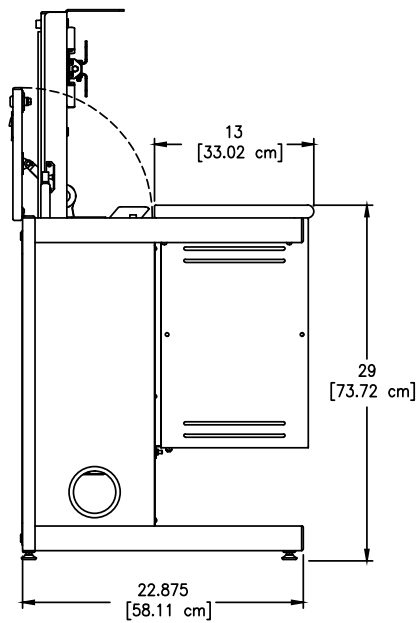


60"W x 24"D Flex Insight single desk  
(shown with locking lid)

24"D

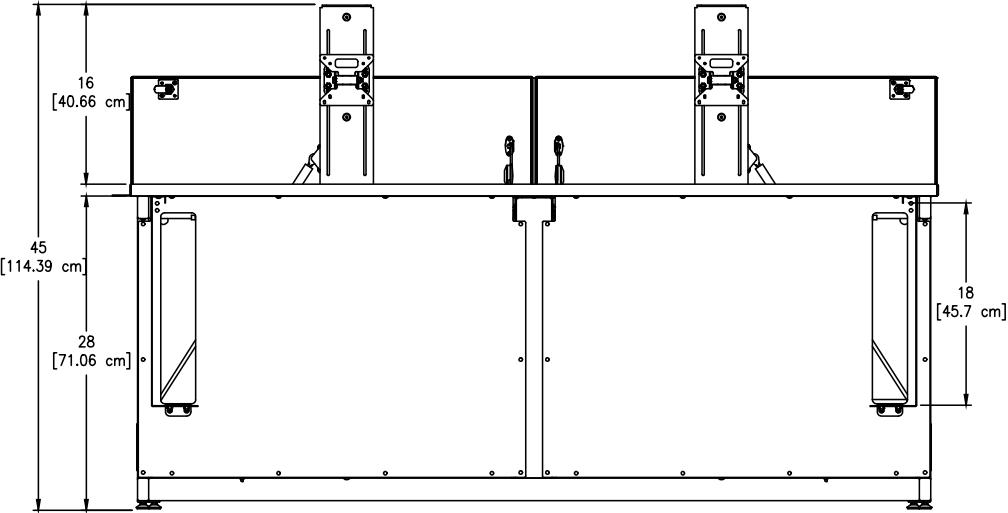
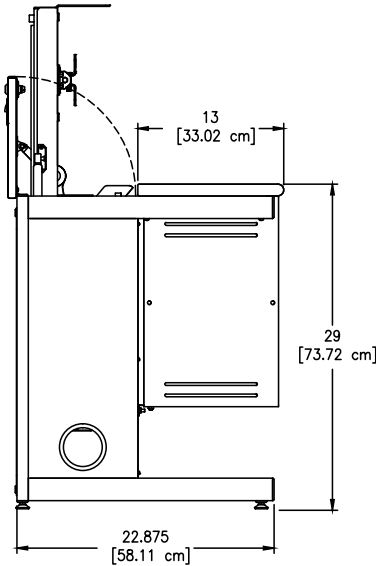
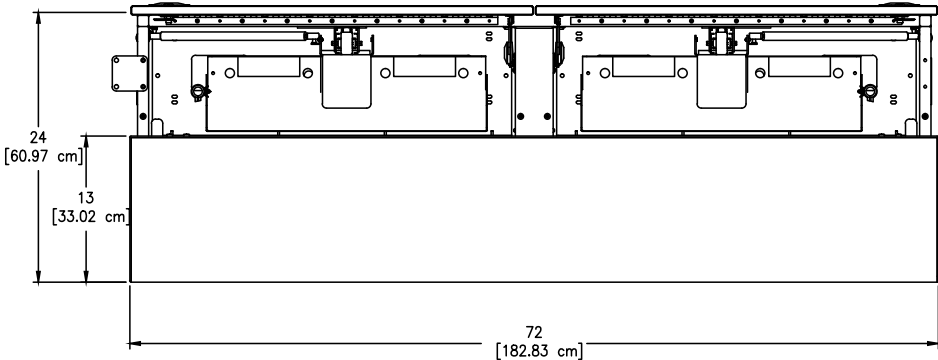
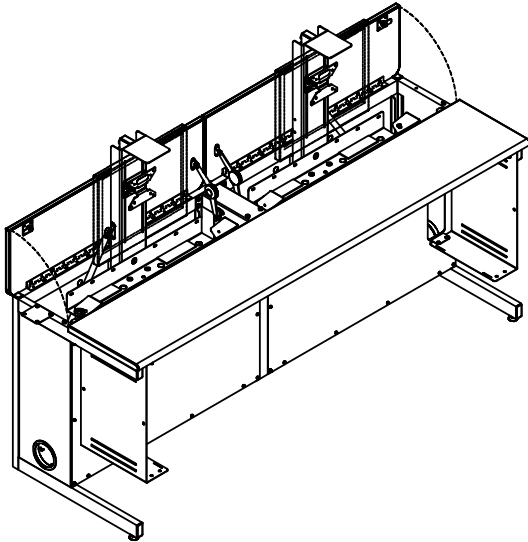


Offset brackets center  
each monitor  
(60" desks only)



72"W x 24"D Flex Insight single desk  
(shown with locking lid)

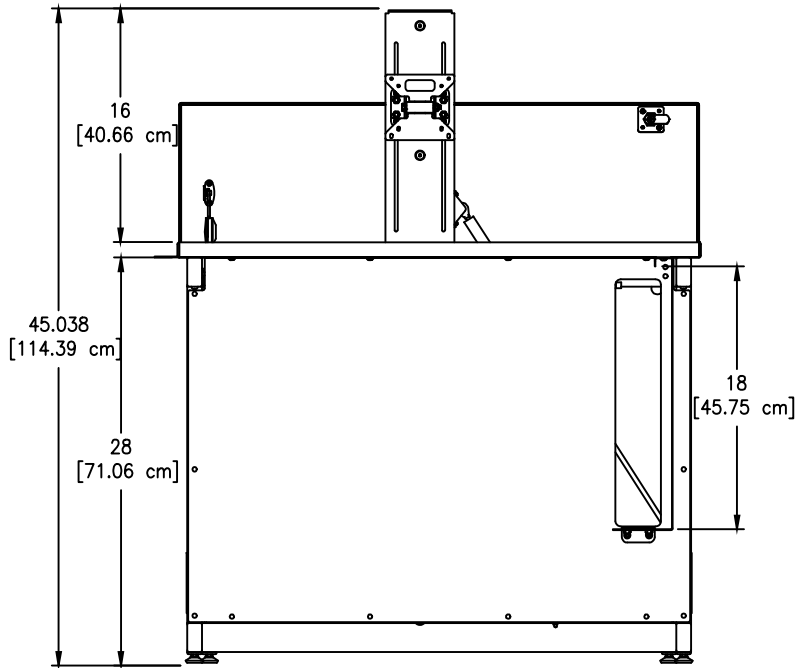
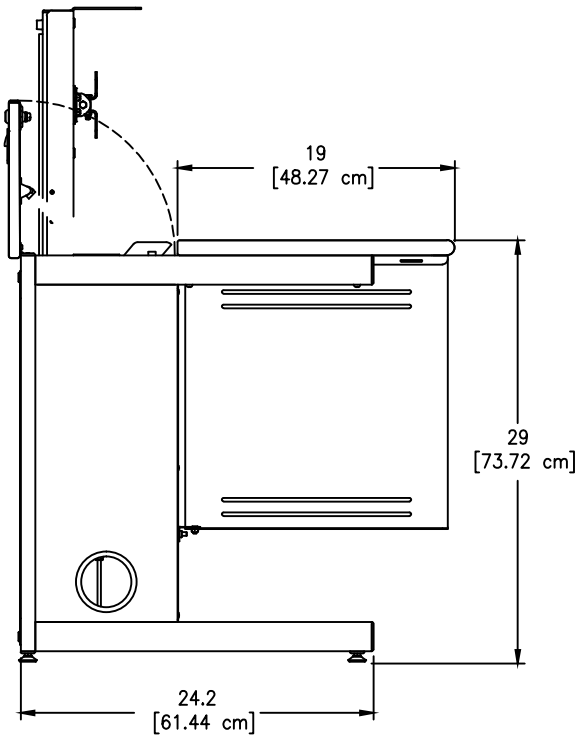
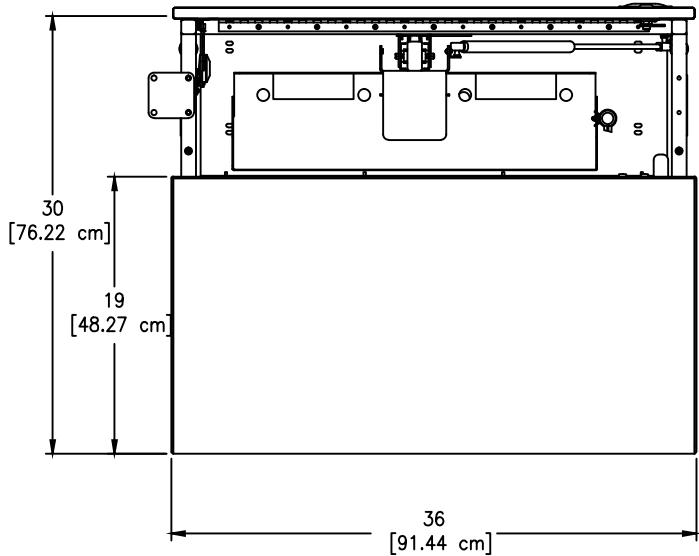
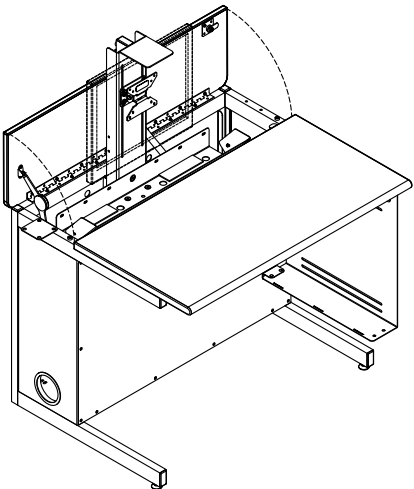
24"D





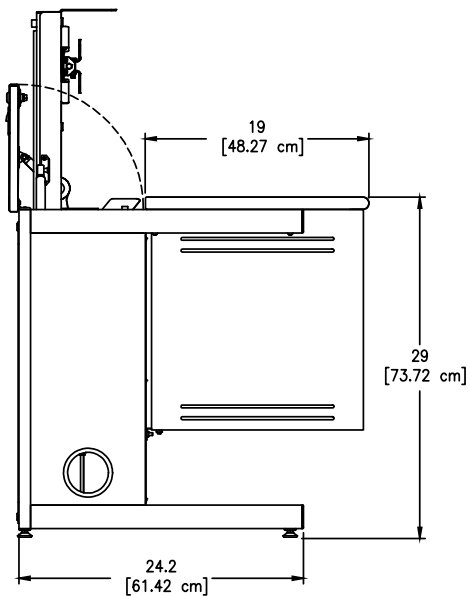
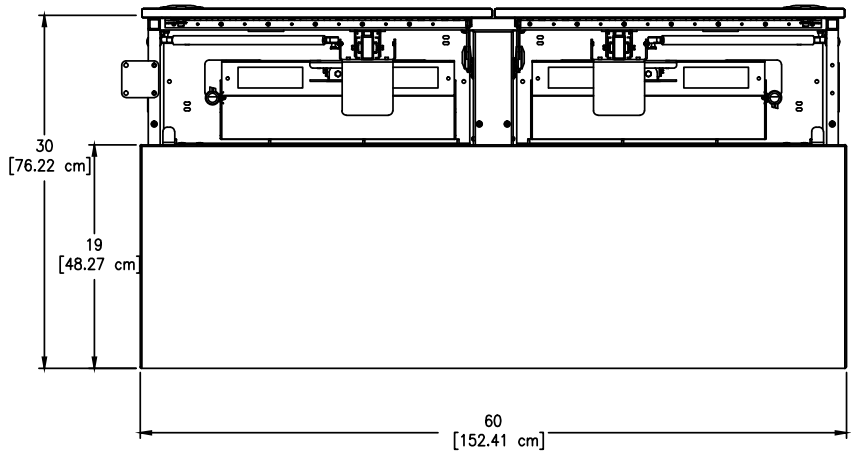
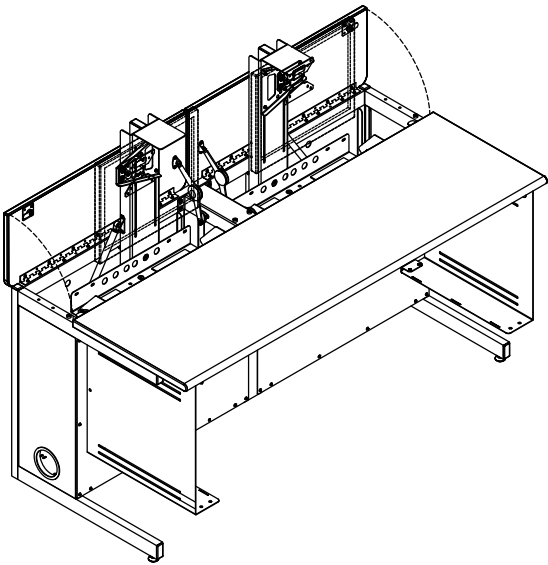
36"W x 30"D Flex Insight single desk  
(shown with locking lid)

30"D

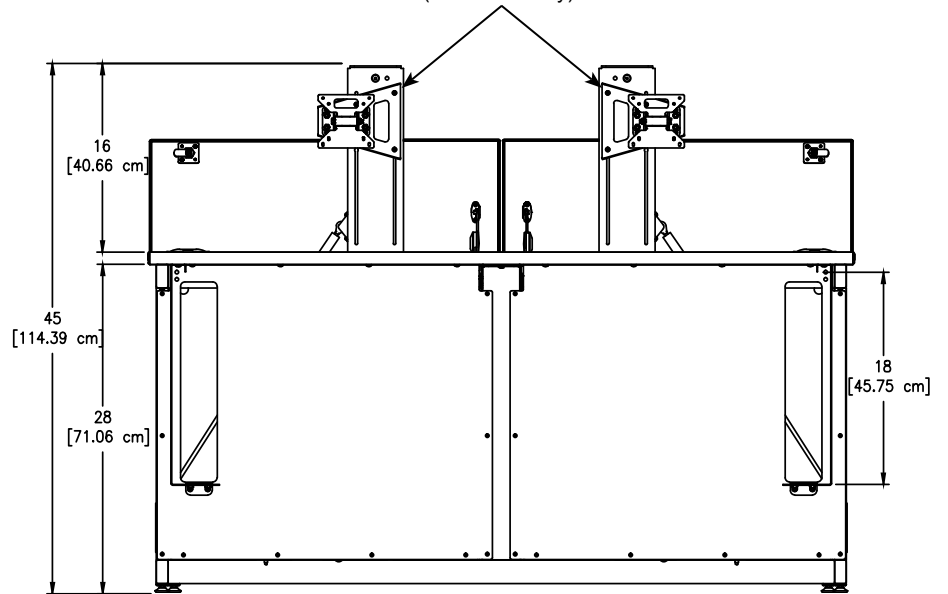


60"W x 30"D Flex Insight double desk  
(shown with locking lid)

30"D

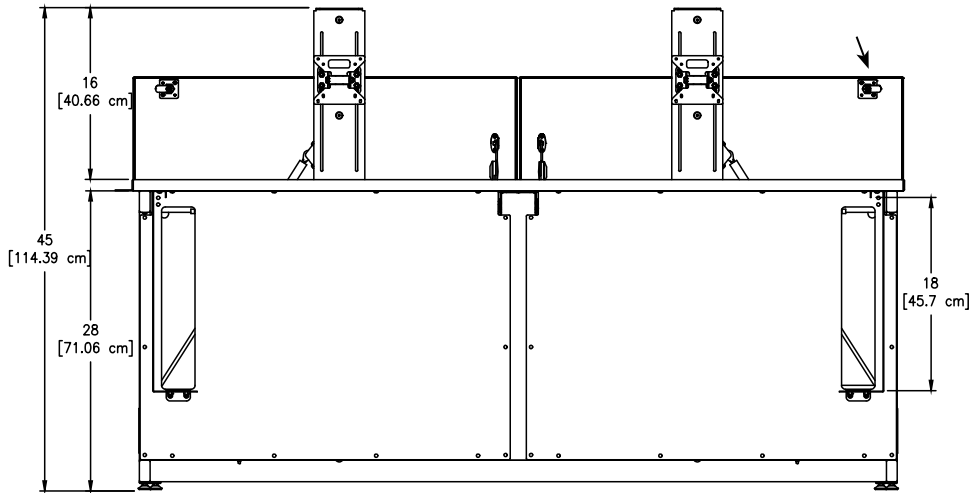
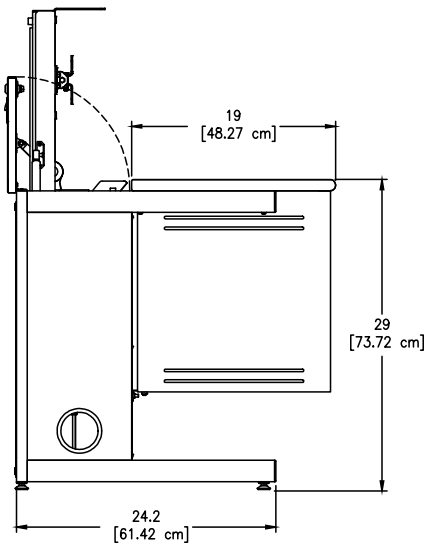
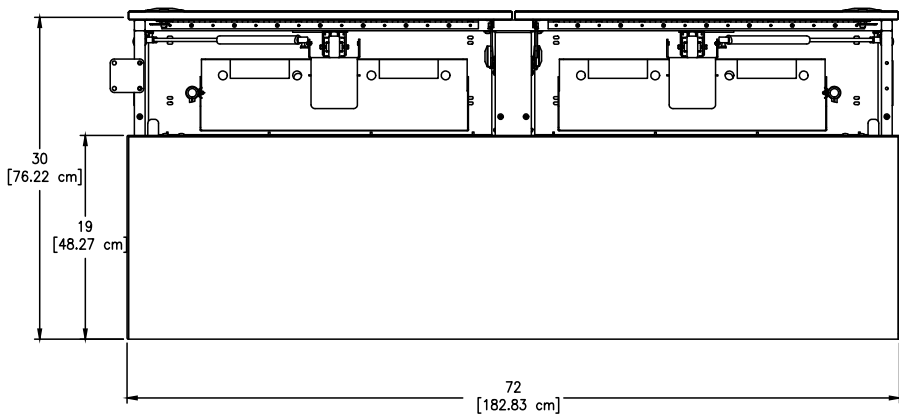
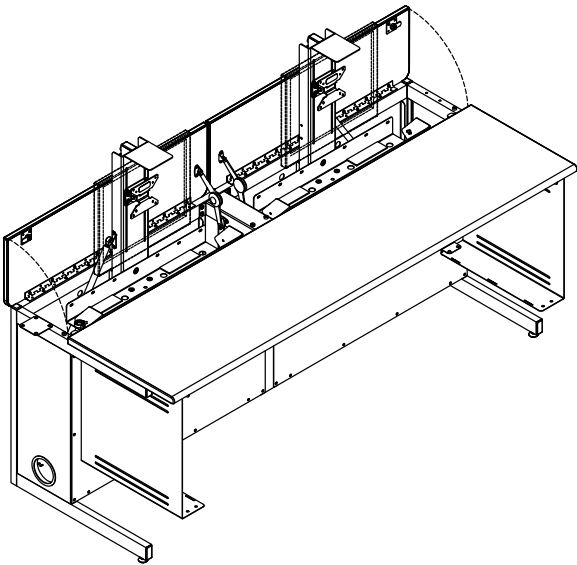


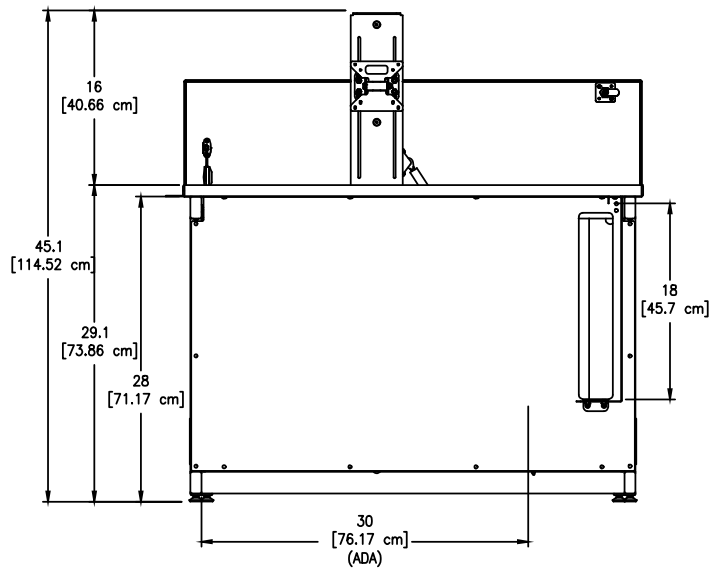
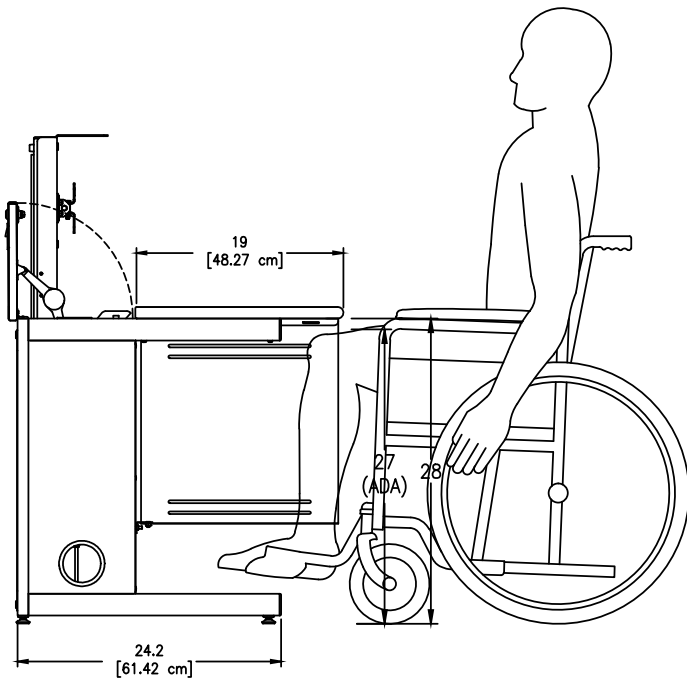
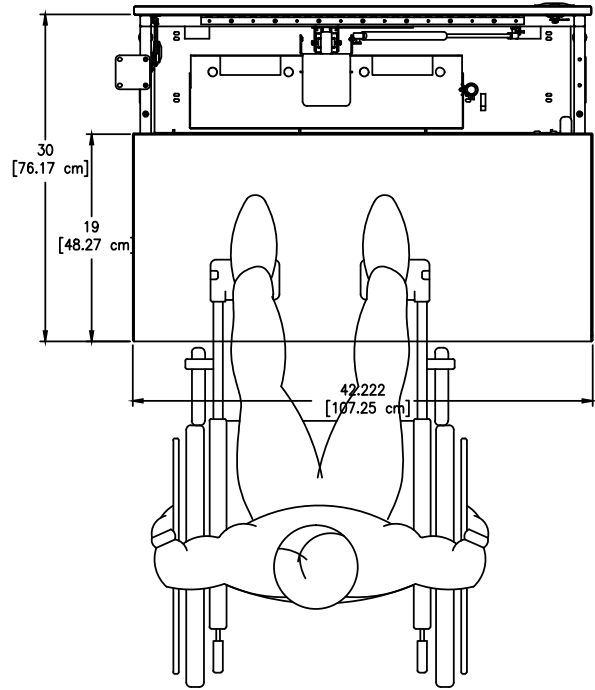
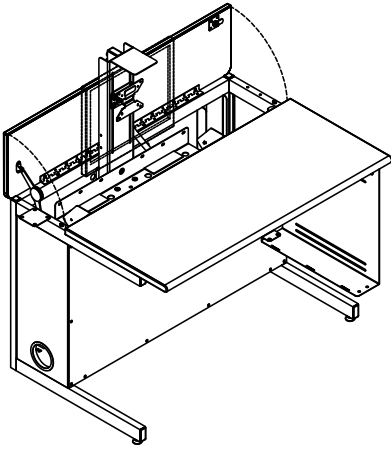
Offset brackets center  
each monitor  
(60" desks only)



72"W x 30"D Flex Insight double desk  
(shown with locking lid)

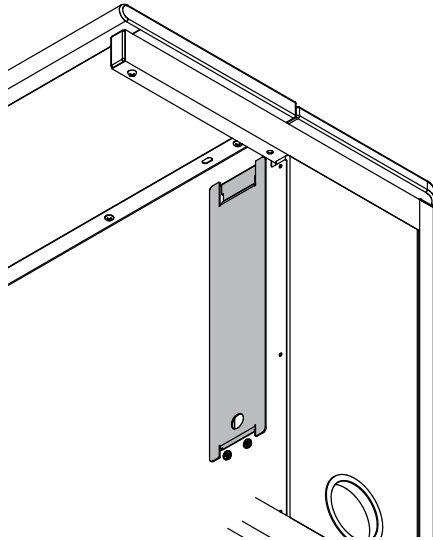
30"D





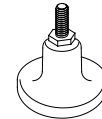
Note: Minimum ADA guidelines for knee clearances are 30"W [76.2 cm] x 19"D [48.3 cm] x 27"H [68.6 cm].

# Options



### Cover Plate - 38978

- For use when CPU sling is not needed or being used
- (16 ga steel)



### 1" [2.54 cm] Bell Glide Riser Kit - 98513

- Raises worksurface height from 29" [73.6 cm] to 30" [76.2 cm]
- 5/16-18 thread
- Set of 4

**EP8 Kits and Accessories**

**EP8 Kits:**  
 99014 - 30" Desk  
 99008 - 36" Desk  
 99009 - 44" Desk  
 99018 - 48" Desk  
 99010 - 60" Desk  
 99011 - 72" Desk  
 99013 - Center Printer

**In-Line Surge Suppressor**  
99016

**Base Power Feed**  
with 36" flexible cord  
99022

**Starter Surge Suppressor**  
with 10' pigtail cable  
99017

# Warranty

## WE WILL MAKE IT RIGHT FOR YOU!

Spectrum is committed to provide complete customer satisfaction. Each of our products is manufactured from the best materials available and each product is stringently monitored throughout the production process through our P.A.C.E. program (Product Assurance to meet Customer Expectations).

We expressly warrant that Spectrum products will be of good quality and workmanship and free from defect for the period set out in the warranty table below from the date of delivery. This warranty shall not apply to defects or damage resulting from misuse, abuse, neglect, improper care, modification or repair not authorized by Spectrum, or any other cause outside the control of Spectrum. Spectrum will, at its sole option, either repair or replace the defective product.

This warranty is exclusive; no other warranty, written or oral, is expressed or implied. This warranty is given by Spectrum to Buyer and to no other person or legal entity. No Spectrum dealer, distributor, agent or employee is authorized to make any modification or addition to this warranty.

**NOTWITHSTANDING ANYTHING TO THE CONTRARY, SPECTRUM WILL NOT UNDER ANY CIRCUMSTANCES BE LIABLE FOR INDIRECT OR LIQUIDATED DAMAGES, INCLUDING CONSEQUENTIAL, INCIDENTAL AND SPECIAL DAMAGES. IN NO EVENT SHALL SPECTRUM'S LIABILITY, WHETHER UNDER CONTRACT OR WARRANTY, IN TORT OR OTHERWISE, EXCEED THE PURCHASE PRICE RECEIVED BY SPECTRUM FOR THE PRODUCT AT ISSUE AND "RECALL ACTION" EXPENSES. SPECTRUM SHALL NOT BE SUBJECT TO ANY OTHER OBLIGATIONS OR LIABILITIES, WHETHER ARISING OUT OF BREACH OF CONTRACT, WARRANTY, TORT (INCLUDING NEGLIGENCE AND STRICT LIABILITY) OR OTHER THEORIES OF LAW, WITH RESPECT TO PRODUCTS SOLD OR SERVICES RENDERED BY SPECTRUM, OR ANY UNDERTAKINGS, ACTS OR OMISSIONS RELATING THERETO.**

Our Customer Service Department is ready to provide immediate attention to any questions, comments or concerns. They are available to answer your calls Monday through Friday from 7 am to 5 pm CST. In addition your product comments or concerns are welcome via e-mail at: [spectrum@spectrumfurniture.com](mailto:spectrum@spectrumfurniture.com).

Warranty Table

effective 1/1/2015

Item	Warranty Period
Adjustable Crank/Electric Desk Legs	• 1 Year
Flat Panel Desk Gas Cylinders	
Chairs <ul style="list-style-type: none"> <li>• Adjustable Height Chair Parts – including frames, gas cylinders, wood and plastic parts, control handles, casters</li> <li>• Adjustable Height Chair Upholstery</li> <li>• In-Stock Upholstery</li> <li>• Graded-In Fabrics and Customer Owned Material</li> </ul>	<ul style="list-style-type: none"> <li>• 7 Years</li> <li>• 2 Years</li> <li>• 2 Years</li> <li>• No Warranty</li> </ul>
Height Adjustable Columns and Lifts	• 1 Year
General Use Casters	
Electrical	• 2 Years
Keyboard/Mouse Trays	• 1 Year
Flat Panel Monitor Arms <ul style="list-style-type: none"> <li>• Flat Panel Monitor Arm – General Parts</li> <li>• Flat Panel Monitor Arm – Gas Cylinders</li> </ul>	<ul style="list-style-type: none"> <li>• 5 Years</li> <li>• 2 Years</li> </ul>
Desks and Lecterns <ul style="list-style-type: none"> <li>• Computer Desk Chassis</li> <li>• Cart Chassis</li> <li>• Lectern Chassis</li> </ul>	• 10 Years



205 Westwood Ave, Long Branch, NJ 07740  
 Phone: 866-94 BOARDS (26273) / (732)-222-1511  
 Fax: (732)-222-7088 | E-mail: [sales@touchboards.com](mailto:sales@touchboards.com)

