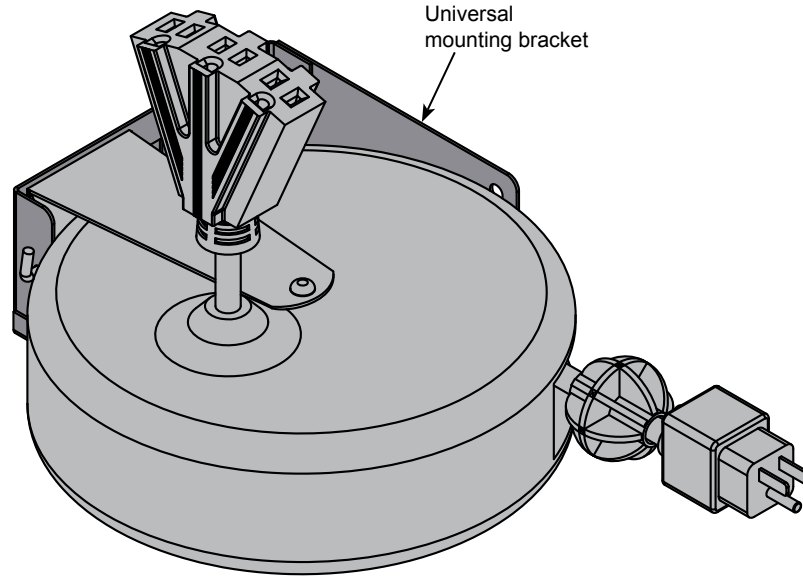


## Technical Specifications

99037



(Shown in horizontal position)



## Features and Benefits

- cUL listed
- 15' retractable, 15-amp power cord reel provides quick and easy power-access
- Molded 3-prong male plug includes a 15-amp breaker and reset button
- 12 AWG power cord and molded power connections provide durability
- 3-outlet, tri-tap receptacle provides power access
- Adjustable ball stop and releasable cord-locking ratchet holds the cord at any length up to 15'
- Universal mounting bracket mounts to the base panel of most Spectrum lecterns
- Durable powder coated steel provides a long-lasting finish
- Warranted to be free of all defects in materials and workmanship with a 1-year warranty

**!** The cord reel is intended to provide temporary access to electrical outlets for Spectrum mobile lecterns. Check local electrical codes prior to installation.

## Specifications

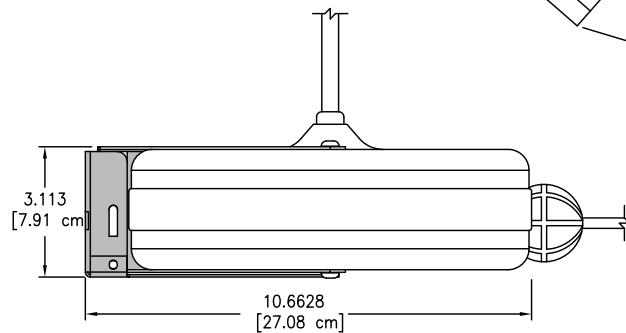
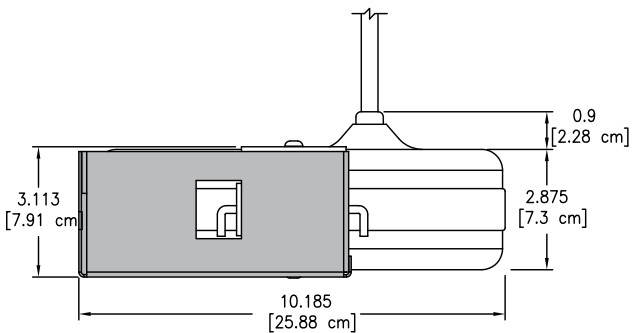
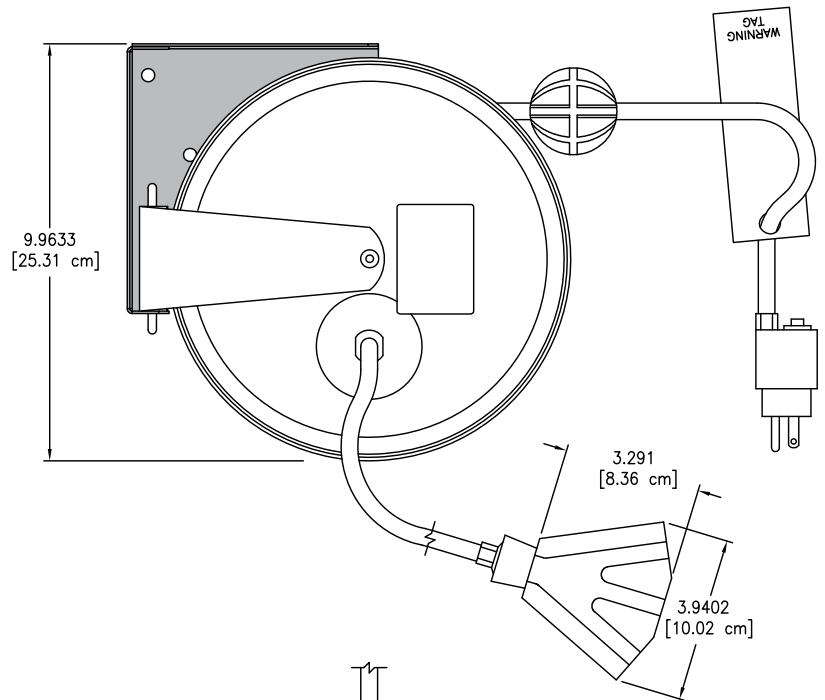
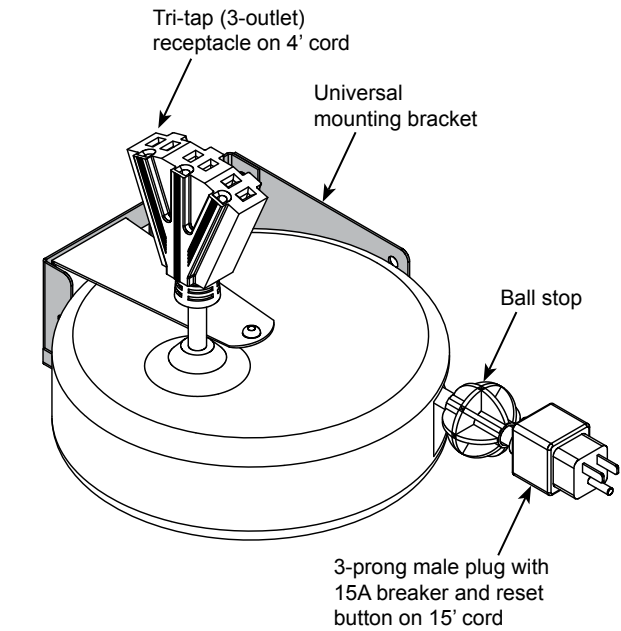
Electrical	<ul style="list-style-type: none"> <li>• 1875W, 15A, 125V</li> <li>• 15' nominal, 12 AWG retractable power cord</li> <li>• Molded 3-prong male plug with 15A breaker and reset button</li> <li>• Tri-tap (3-outlet) receptacle</li> <li>• cUL listed</li> </ul>
Universal mounting bracket	<ul style="list-style-type: none"> <li>• Provides 3 different mounting positions</li> <li>• 16-gauge steel</li> <li>• Black powder coat</li> <li>• Includes mounting screws</li> </ul>
Shipping weight (nominal)	11 lb [5 kg]

Specifications subject to change without notice



205 Westwood Ave, Long Branch, NJ 07740  
Phone: 866-94 BOARDS (26273) / (732)-222-1511  
Fax: (732)-222-7088 | E-mail: sales@touchboards.com

## Universal Retractable Cord Reel



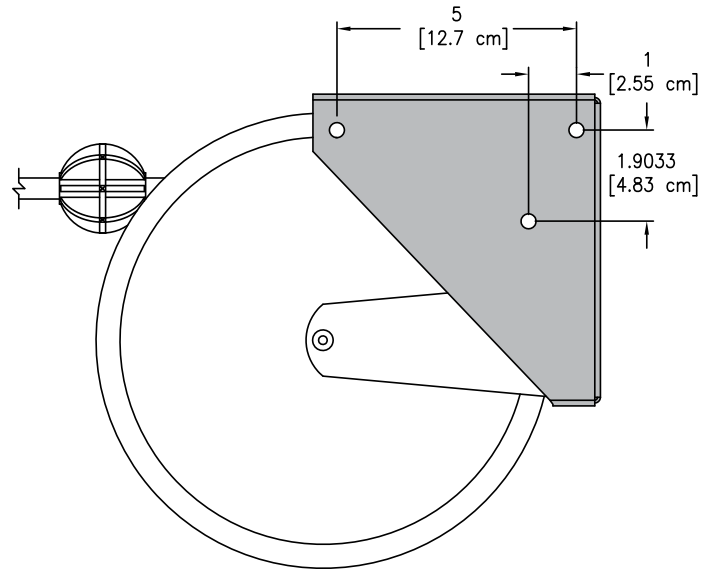
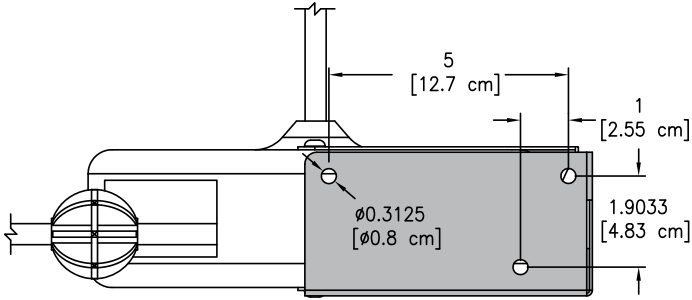
### ⚠ WARNING ⚠

- This cord reel is intended for general indoor use only. It is not intended to be used in potentially dangerous locations such as flammable or explosive atmospheres.
- The cord reel is not waterproof and not intended for use in potentially wet locations.
- Do not overload (15-amp maximum).

### CAUTION

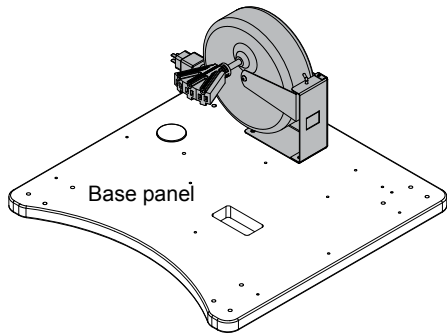
1. USE IN COVERED AREAS. OUT OF RAIN and WEATHER
2. NOT FOR USE IN AREAS REQUIRING EXPLOSION-PROOF FIXTURES.
3. REELS WITH ELECTRICAL OUTLETS:
  - Do not overload - See instruction manual for amperage ratings.
  - Pull entire cord from reel when using outlet.
4. WHEN HANGING REEL on ceiling (See Instruction Manual):
  - BY HOOK - Close hook with pliers to prevent reel from coming down.
  - BRACKET and PIN - With reel in place, bend end of "L" shaped pin to PREVENT PIN FALLING OUT and reel falling.
5. INSPECT CORD OFTEN and replace if damaged.
6. READ INSTRUCTION MANUAL BEFORE INSTALLING OR USING.
7. UNPLUG BEFORE PERFORMING SERVICE.

Mounting hole pattern in universal mounting bracket

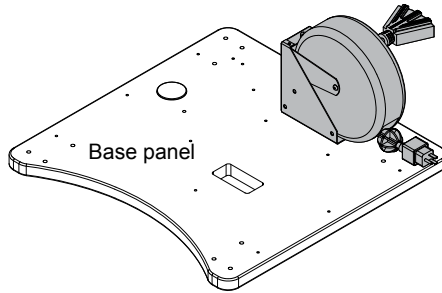


Note: When installed, the cord reel takes up rack units from the bottom of the rack rail.  
 Horizontal installation: 3RU  
 Vertical installation: 6RU

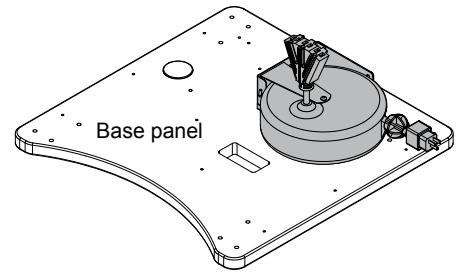
Available cord reel mounting positions on lectern base panel



Vertical left power cord (takes up 6RU)



Vertical right power cord (takes up 6RU)



Horizontal right power cord (takes up 3RU)

# Warranty

## WE WILL MAKE IT RIGHT FOR YOU!

Spectrum is committed to provide complete customer satisfaction. Each of our products is manufactured from the best materials available and each product is stringently monitored throughout the production process through our P.A.C.E. program (Product Assurance to meet Customer Expectations).

We expressly warrant that Spectrum products will be of good quality and workmanship and free from defect for the period set out in the warranty table below from the date of delivery. This warranty shall not apply to defects or damage resulting from misuse, abuse, neglect, improper care, modification or repair not authorized by Spectrum, or any other cause outside the control of Spectrum. Spectrum will, at its sole option, either repair or replace the defective product.

This warranty is exclusive; no other warranty, written or oral, is expressed or implied. This warranty is given by Spectrum to Buyer and to no other person or legal entity. No Spectrum dealer, distributor, agent or employee is authorized to make any modification or addition to this warranty.

**NOTWITHSTANDING ANYTHING TO THE CONTRARY, SPECTRUM WILL NOT UNDER ANY CIRCUMSTANCES BE LIABLE FOR INDIRECT OR LIQUIDATED DAMAGES, INCLUDING CONSEQUENTIAL, INCIDENTAL AND SPECIAL DAMAGES. IN NO EVENT SHALL SPECTRUM'S LIABILITY, WHETHER UNDER CONTRACT OR WARRANTY, IN TORT OR OTHERWISE, EXCEED THE PURCHASE PRICE RECEIVED BY SPECTRUM FOR THE PRODUCT AT ISSUE AND "RECALL ACTION" EXPENSES. SPECTRUM SHALL NOT BE SUBJECT TO ANY OTHER OBLIGATIONS OR LIABILITIES, WHETHER ARISING OUT OF BREACH OF CONTRACT, WARRANTY, TORT (INCLUDING NEGLIGENCE AND STRICT LIABILITY) OR OTHER THEORIES OF LAW, WITH RESPECT TO PRODUCTS SOLD OR SERVICES RENDERED BY SPECTRUM, OR ANY UNDERTAKINGS, ACTS OR OMISSIONS RELATING THERETO.**

Our Customer Service Department is ready to provide immediate attention to any questions, comments or concerns. They are available to answer your calls Monday through Friday from 7 am to 5 pm CST. In addition your product comments or concerns are welcome via e-mail at: [spectrum@spectrumfurniture.com](mailto:spectrum@spectrumfurniture.com).

**Warranty Table**

effective 1/1/2015

Item	Warranty Period
Adjustable Crank/Electric Desk Legs	• 1 Year
Flat Panel Desk Gas Cylinders	
Chairs <ul style="list-style-type: none"> <li>• Adjustable Height Chair Parts – including frames, gas cylinders, wood and plastic parts, control handles, casters</li> <li>• Adjustable Height Chair Upholstery</li> <li>• In-Stock Upholstery</li> <li>• Graded-In Fabrics and Customer Owned Material</li> </ul>	<ul style="list-style-type: none"> <li>• 7 Years</li> <li>• 2 Years</li> <li>• 2 Years</li> <li>• No Warranty</li> </ul>
Height Adjustable Columns and Lifts	• 1 Year
General Use Casters	
Electrical	• 2 Years
Keyboard/Mouse Trays	• 1 Year
Flat Panel Monitor Arms <ul style="list-style-type: none"> <li>• Flat Panel Monitor Arm – General Parts</li> <li>• Flat Panel Monitor Arm – Gas Cylinders</li> </ul>	<ul style="list-style-type: none"> <li>• 5 Years</li> <li>• 2 Years</li> </ul>
Desks and Lecterns <ul style="list-style-type: none"> <li>• Computer Desk Chassis</li> <li>• Cart Chassis</li> <li>• Lectern Chassis</li> </ul>	• 10 Years

