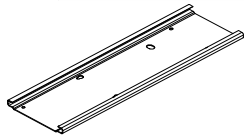
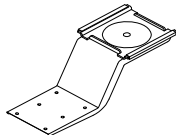


Assembly Instructions:

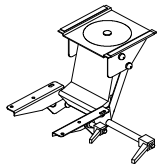
To purchase parts or accessories, please contact us at
www.spectrumfurniture.com
 1-800-235-1262
 Thank you for choosing Spectrum products!



(1) 042342
17-3/4" Slide



(1) 040857
"Z" Bracket
for 95501 only



(1) 044217
"Micro-Arm" Bracket
for 95506



(8) 026070
#8 x 1-3/4" PHSM



(1) 044480
Spacer Block



(5) 043878
Plastic Spacer

(1) 044321

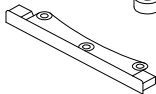
Parts Bag 2 includes the following:



(8) #8 x 5/8" PHSM screw



(1) Rubber Bumper

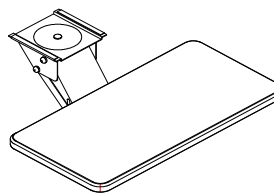


(1) Slide guard

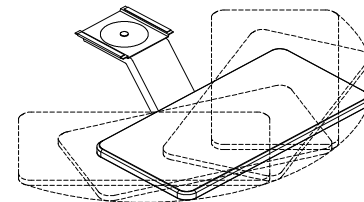
Touchboards

205 Westwood Ave, Long Branch, NJ 07740
 Phone: 866-94 BOARDS (26273) / (732)-222-1511
 Fax: (732)-222-7088 | E-mail: sales@touchboards.com

Tools Required:
 Phillips Screwdriver



95506



95501

Keyboard Tray #95501, #95506

Before you begin, please make sure all parts and proper quantities are included. Any parts damaged during shipment must be reported within 15 days of receipt. To report information regarding damages or if you have any questions, please call 1-800-235-1262.

1. Attaching the "Z" or "Micro-Arm" Bracket to Keyboard Tray

- Align the "Z" or "Micro-Arm" Bracket with the 6 pre-drilled holes in the center of the keyboard tray. **Figure 1.**
- Using (6) #8 x 5/8" PHSM screws, attach the bracket to the keyboard tray and tighten securely.

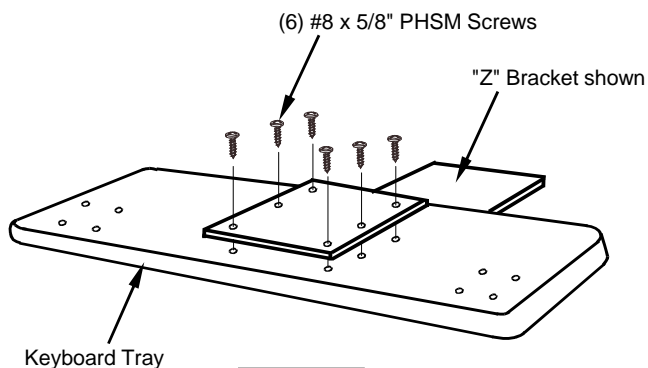


Figure 1

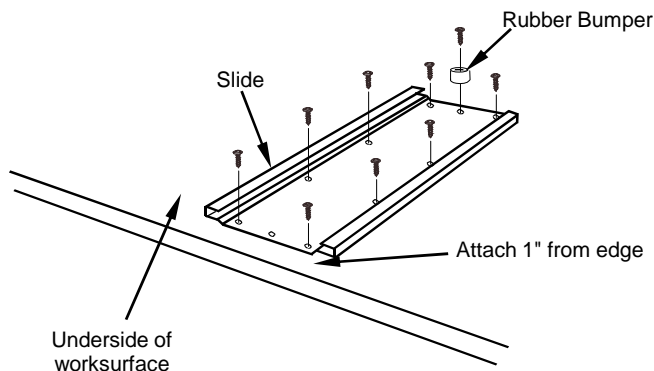


Figure 2

2. Attaching the Keyboard Tray to Desk

Note: Some desk products will have a metal support bar underneath the worksurface. If this is the case, go to steps 4 & 5.

- Flip the worksurface /desk upside-down onto a non-abrasive surface.
- Locate the slide perpendicular and about 1" from the front edge of the worksurface. The slide should not be mounted closer than 8" to the nearest leg.
- Attach the slide using (8) #8 x 5/8" PHM screws and tighten securely. **Figure 2.**
- Attach the rubber bumper toward the back of the slide in the middle hole.

3. Attaching the Slide Guard

- A. Slide the bracket with keyboard tray into the slide.
- B. Using (3) #8 x 5/8" PHSM screws, attach the slide guard to the front of the slide. **Figure 3.**

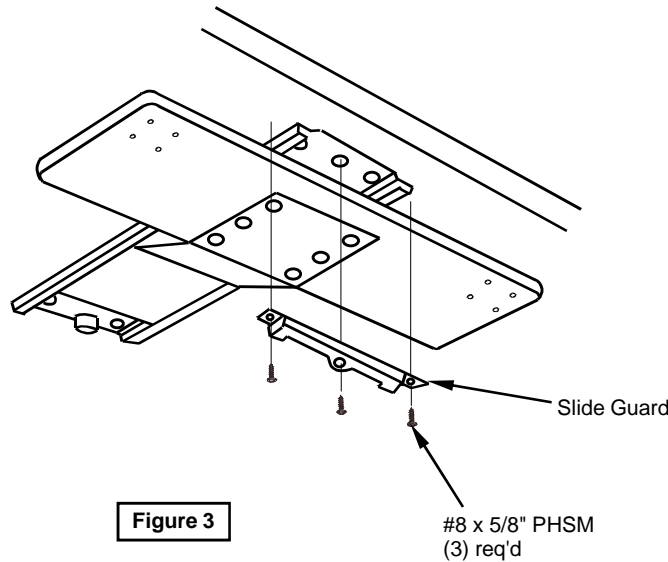


Figure 3

4. Attaching the Slide to desks with a Support Bar

- A. Flip the worksurface/desk upside-down onto a non-abrasive surface.
- B. Locate the slide perpendicular and about 1" from the front edge of the worksurface.
The slide should not be mounted closer than 8" to the nearest leg.
- C. Place the spacer block and (5) spacers under the tray as shown in **Figure 4.**
- D. Attach the slide, block and spacers using (6) #8 x 1-3/4" PHSM screws and tighten securely.
- E. Attach the rubber bumper toward the back of the slide in the middle hole.

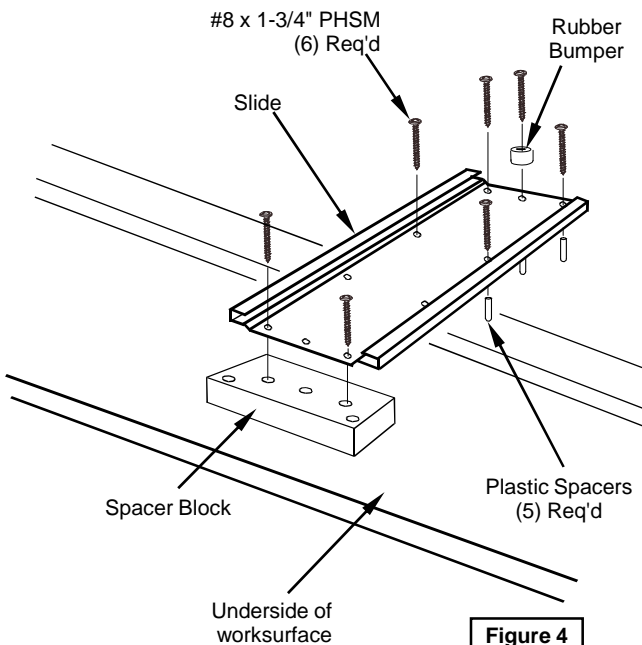


Figure 4

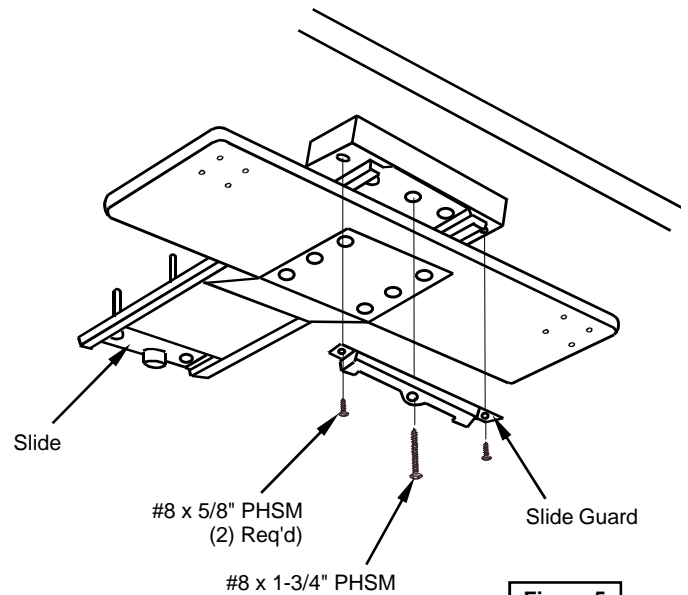


Figure 5

5. Attaching the Slide Guard

- A. Slide the bracket with keyboard tray into the slide.
- B. Using (2) #8 x 5/8" PHSM screws, and (1) #8 x 1-3/4" PHSM screw, attach the slide guard to the front of the slide. **Figure 5.**