

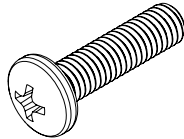
Assembly Instructions

Important

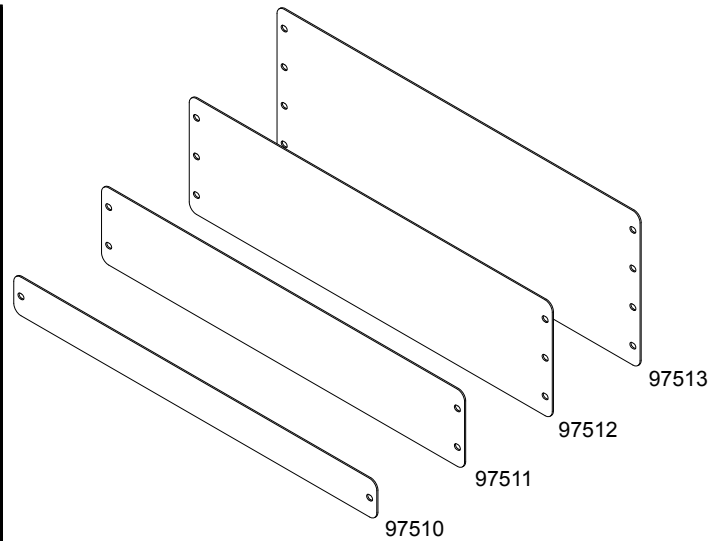
Before you begin, please make sure all parts and proper quantities are included. Any parts damaged during shipment must be reported within 15 days of receipt. To report information regarding damage, to purchase parts or accessories, or if you have any questions, please contact us at:

www.spectrumfurniture.com
715-723-6750, 800-235-1262

Thank you for purchasing Spectrum products!



050184
10-32 x 5/8" PHMS



Rack-mount blank

97510 - 1RU

97512 - 3RU

97511 - 2RU

97513 - 4RU

Attach blank to rack rail

- Using a Phillips screwdriver and the included 10-32 x 5/8" PHM screws, attach the blank to the rack rail wherever components or shelves are not installed. **Figure 1.**

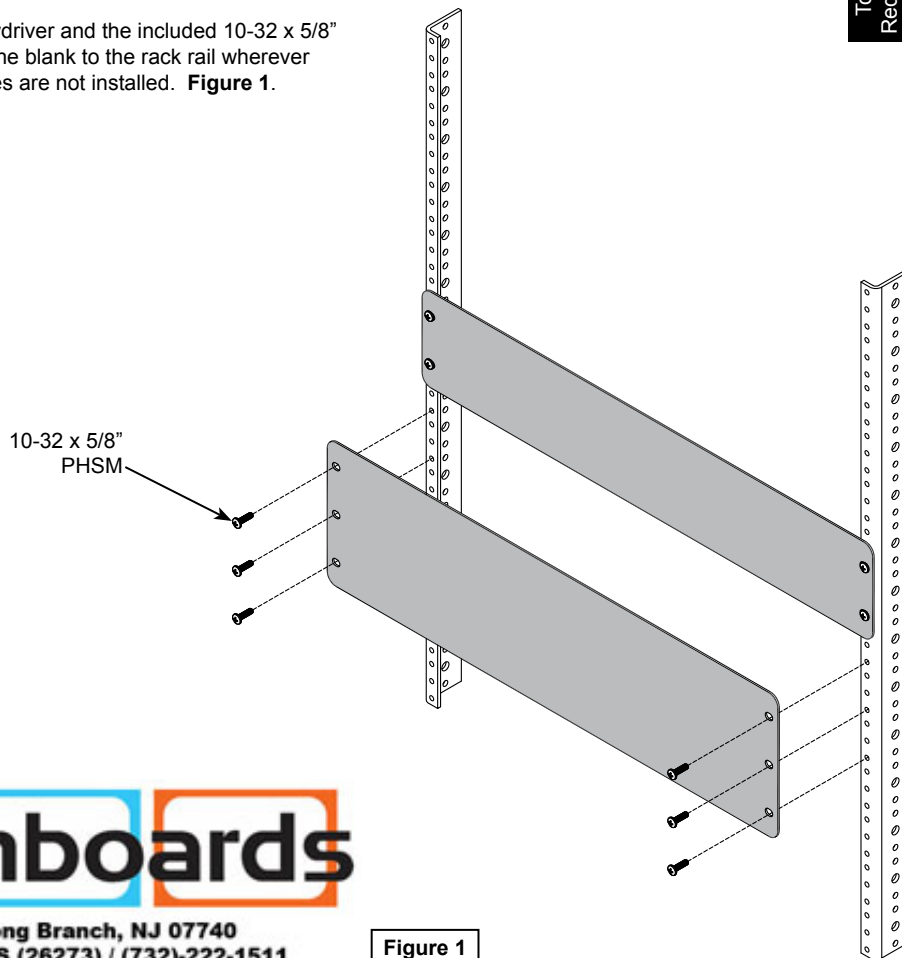
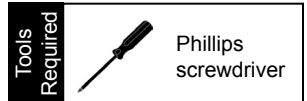


Figure 1



205 Westwood Ave, Long Branch, NJ 07740
Phone: 866-94 BOARDS (26273) / (732)-222-1511
Fax: (732)-222-7088 | E-mail: sales@touchboards.com