

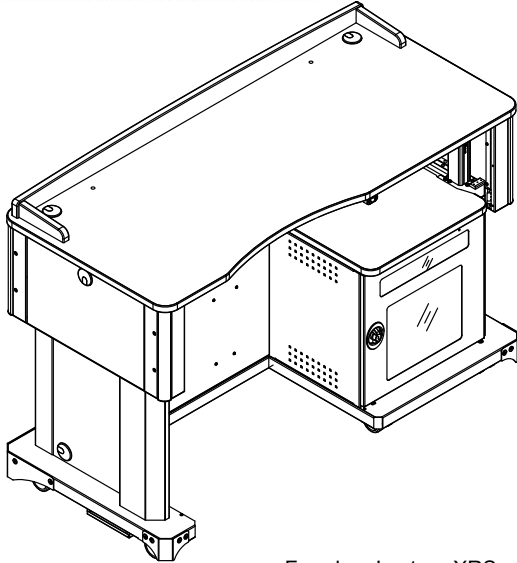
## Technical Specifications

## Touchboards

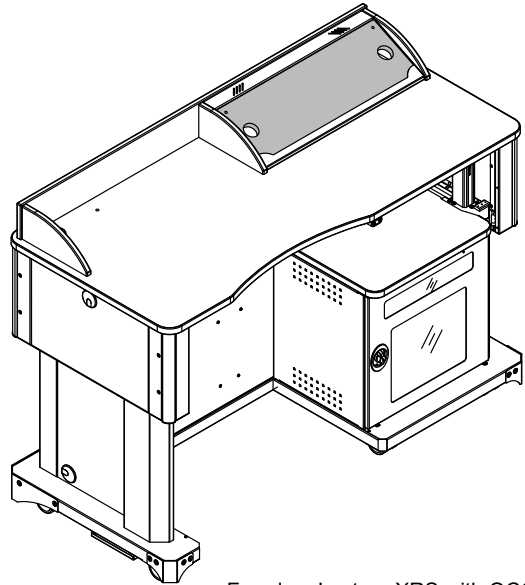
205 Westwood Ave, Long Branch, NJ 07740  
Phone: 866-94 BOARDS (26273) / (732)-222-1511  
Fax: (732)-222-7088 | E-mail: sales@touchboards.com

55288	with left-hand rack rail
55287	with right-hand rack rail

55286	with left-hand rack rail and Overbridge Control Console™ (also requires 96504 insert panel)
55285	with right-hand rack rail and Overbridge Control Console™ (also requires 96504 insert panel)



Freedom Lectern XRS  
55287



Freedom Lectern XRS with OCC  
55285  
shown with optional insert panel  
(shaded)

Designed for ADA compliance, the Freedom Lectern XRS has a height-adjustable worksurface bringing ergonomic benefits to every presenter. Sitting or standing, this lectern provides the most comfortable setting possible to deliver presentations. Not only is the Freedom Lectern XRS ergonomically designed, it is geared for technology. Standard rack rail accommodates traditional audio-visual equipment while the Overbridge version provides a base for the latest in interactive touch control technologies. For intense learning environments, the optional Rack Cube is detachable for integration and simply slides back into the Freedom Lectern, making for a very Xtreme Rack System! A comfortable setting with a powerful delivery – the Freedom Lectern XRS.

## Features and Benefits




- ADA-compliant adjustable-height worksurface electrically-adjusts between 31"-40"H
- Left or right rack rail versions provide secure storage for most rack-mount components (11RU)
- Double-bolt, keyed locking rack door provides security and easy-access
- Overbridge console versions allow custom cutouts and installation of presentation controllers and control panels
- 3" swivel locking Twin-Wheel (TW) casters, and stationary Toe Kick (TK) versions available
- Quick-release rack door and removable rear panels provide full-access to rack equipment
- Safety sensor mechanism protects user and lectern by automatically stopping and reversing the lowering worksurface if contact occurs with an object between the worksurface and rack cabinet
- Stylish base surround with replaceable corners protect and hide casters
- High ground clearance provides easy mobility and prevents damage
- Ventilated side panels keep equipment cool
- Scratch and impact resistant 1.063" high-pressure laminate worksurface
- Two 2" cable grommets (left and right) on the worksurface or overbridge provide cable access
- Cable grommets throughout the unit keep wires and cords manageable
- Removable acrylic viewing/access panels on the front door provides easy monitoring and access to internal equipment
- Pre-drilled monitor arm mounting holes allow easy installation of a monitor arm (models without overbridge have a left and right hole, overbridge models have one hole opposite the rack cabinet)
- Optional quick-change logo panel simplifies adding or changing logos
- Optional pull-out worksurface / keyboard tray can be installed under worksurface
- Optional flip-up shelf provides a convenient additional worksurface
- Optional slide-in rack cube (11RU) is designed with the integrator in mind, rack-mount equipment can be installed remotely and then easily slid into the lectern
- Warranted to be free of all defects in materials and workmanship with a 10-year warranty

<b>Base Options</b>
TW - 3" Twin-Wheel casters TK - Toe Kick

<b>Options</b>
Page 11

### Color Options

Standard laminate / color combinations

Wild Cherry / Black (CHB)	
Indigo Organix / Black (IB)	
Fusion Maple / Black (FMB)	

Standard color combination refers to the quickest deliverable product color combination. Custom laminates and color combinations are available-additional lead-times and up-charges may apply. Call 1-800-235-1262 for further information.

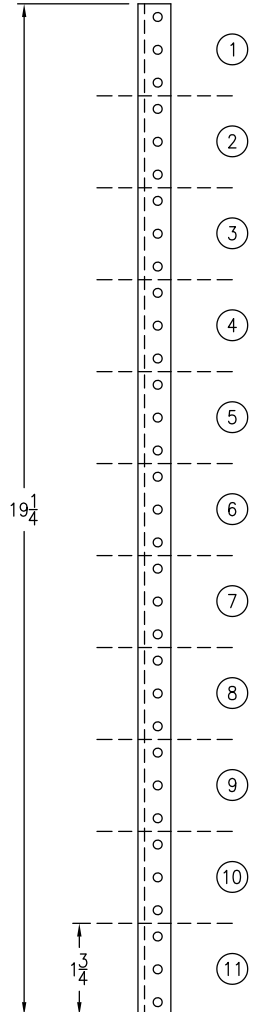
# Construction

- The worksurface is constructed from 1.063" thick NAUF (No Added Urea Formaldehyde) composite board with .030 high-pressure laminate on one face, and a balancing phenolic backer on the opposing face
- Metal components consist of 16 and 20-gauge steel
- Worksurface edges are covered with 3mm vinyl
- All metal components are finished with a scratch-resistant powder coat epoxy
- Solid wood corner trim
- Each Freedom Lectern XRS is factory-assembled with casters, packaged, and shipped on its own skid

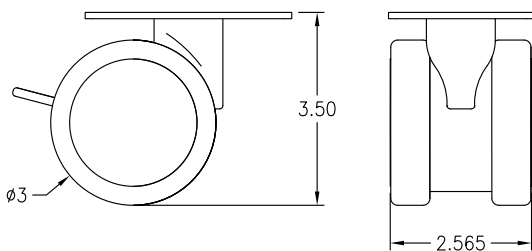
# Specifications

Adjustable worksurface height	31"-40"H
Standard rack rail	11RU
Available rack depth	21.625"D (standard) 19.5"D (with 55313 optional slide-in rack cube)
3" Twin-Wheel casters	weight capacity 165 lbs each (5 included)
ADA-compliance*	knee clearance: 32.875"W x 19"D x 29"H (1 person per lectern) <small>*Minimum ADA guidelines for knee clearances are 30"W x 19"D x 27"H</small>
Electrical	Lift mechanism: <ul style="list-style-type: none"> <li>• full range of motion: 9" in approximately 7 seconds</li> <li>• inverter: 120V @ 60Hz, max output 400 watts</li> <li>• motors: 18V / 10 amps</li> <li>• typical electrical load during operation: <b>4.3 amps @ 120 VAC</b></li> <li>• anti-collision protection</li> <li>• 11' nominal 3-wire power cord</li> <li>• max load: 800N (180 lbs) per actuator (lectern has 3 actuators) (total lift capacity: 540 lbs)</li> <li>• actuators feature non-hydraulic, permanently lubricated screw jacks</li> <li>• actuators rated for 20,000 cycles</li> </ul>
Optional slide-in rack cube	11RU
Optional flip-up shelf	23"W x 27.75"D x 1" thick, can support a maximum of 50 lbs. Shelf hinges lock into place in the upright position, adjustable height.
Unit weights (nominal)	345 lbs - 55287, 55288 (with surround) 375 lbs - 55285, 55286 (with Overbridge Control Console)
Shipping weights (nominal)	405 lbs - 55287, 55288 (with surround) 425 lbs - 55285, 55286 (with Overbridge Control Console)
Meets or exceeds applicable ANSI-BIFMA test standards	

Specifications subject to change without notice



11RU available



3" Twin-Wheel caster (TW)

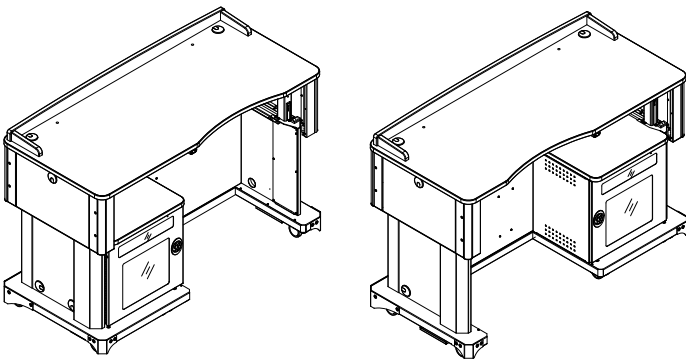
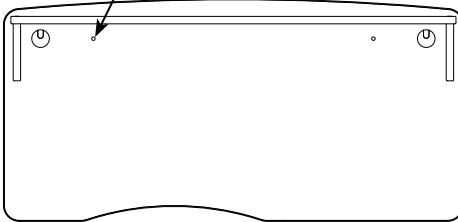
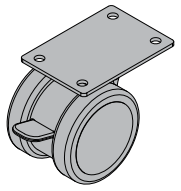
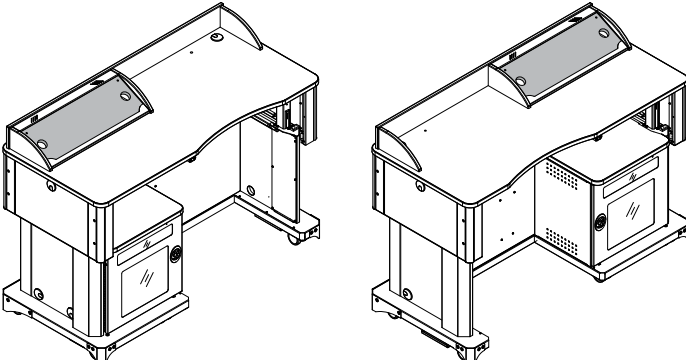
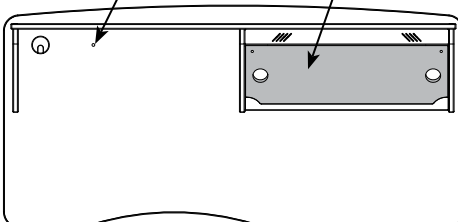
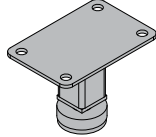
**⚠ CAUTION ⚠**

**All electronics must be removed prior to any reset procedures of the lift mechanism when mounted directly above rack rail cube.**

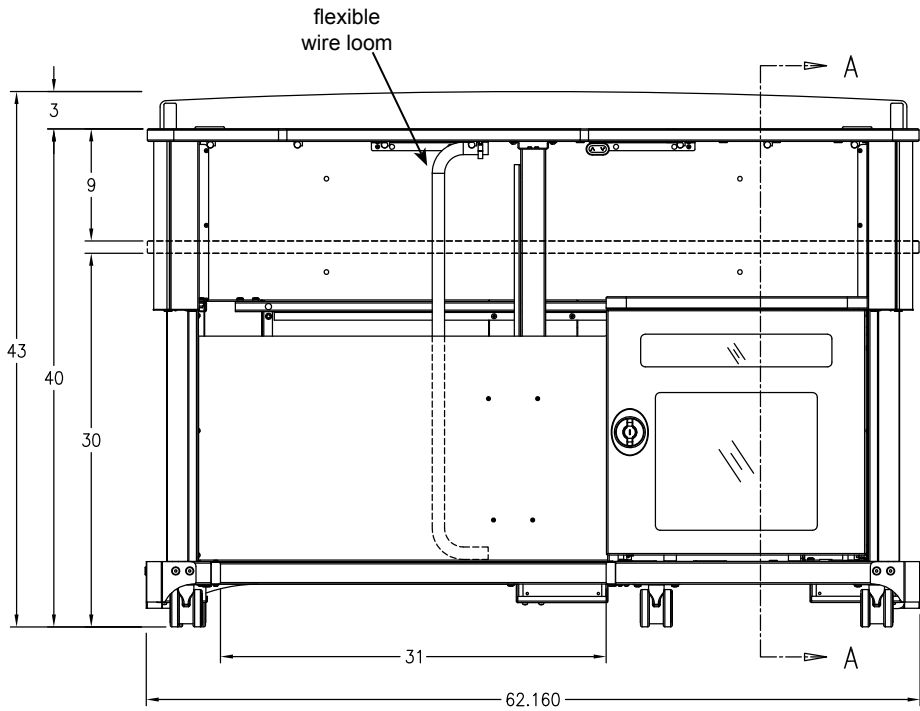
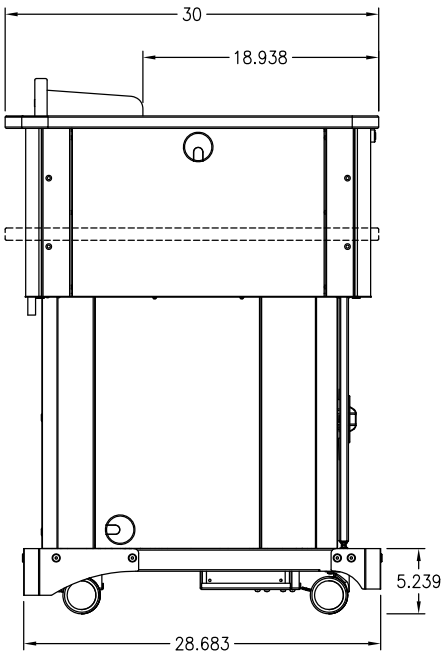
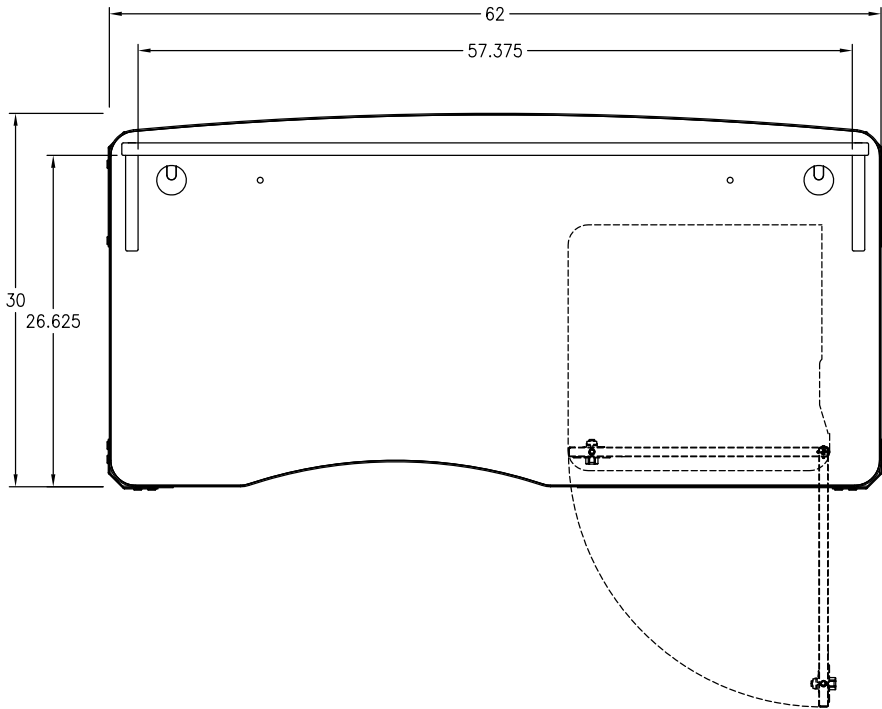
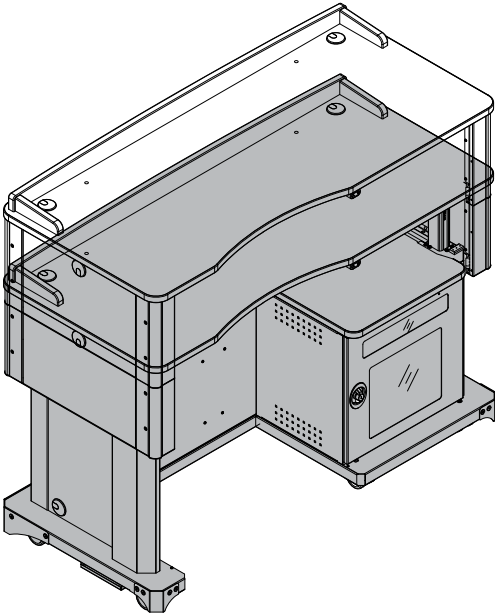
**⚠ CAUTION ⚠**

**Use caution when raising or lowering desk!**

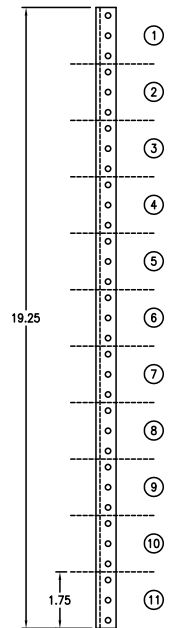
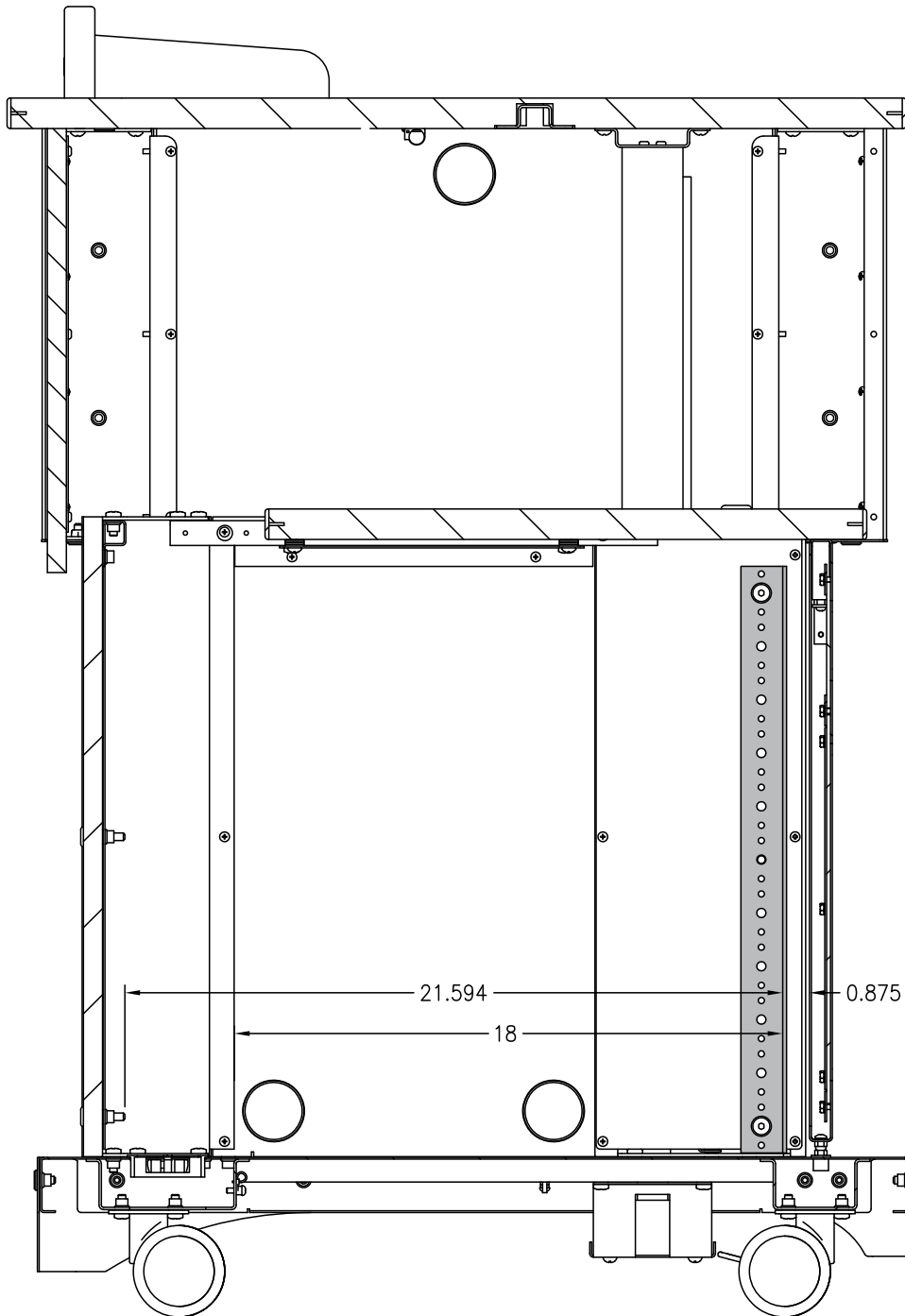
# Models

		Worksurface:	Base Options:
<p><b>Freedom Lectern XRS with surround</b></p>  <p>with LH rack rail <b>55288</b></p> <p>with RH rack rail <b>55287</b></p>		<p>use .375" monitor arm mounting hole opposite rack</p>  <p>Worksurface has two 2" grommet holes with covers for routing cords from worksurface, and two .375" holes with plugs for optional monitor arm mounting.</p>	 <p>X 5</p> <p><b>TW</b> 3" Twin-Wheel casters (3 on user-side are lockable)</p>
<p><b>Freedom Lectern XRS with Overbridge Control Console (OCC) shown with optional insert panel (shaded)</b></p>  <p>with LH rack rail <b>55286</b></p> <p>with RH rack rail <b>55285</b></p>		<p>use .375" monitor arm mounting hole opposite overbridge</p> <p>96504 insert panel</p>  <p>Overbridge with optional blank panel for custom cutouts (see p.8 for dimensions). Overbridge is not available separately. Insert panel includes two 2" grommet holes with covers.</p> <p>Worksurface also has one .375" hole with plug for optional monitor arm mounting.</p>	 <p>X 5</p> <p><b>TK</b> stationary pedestals on Toe Kick version</p>

Freedom Lectern XRS  
(shown with RH rack rail)



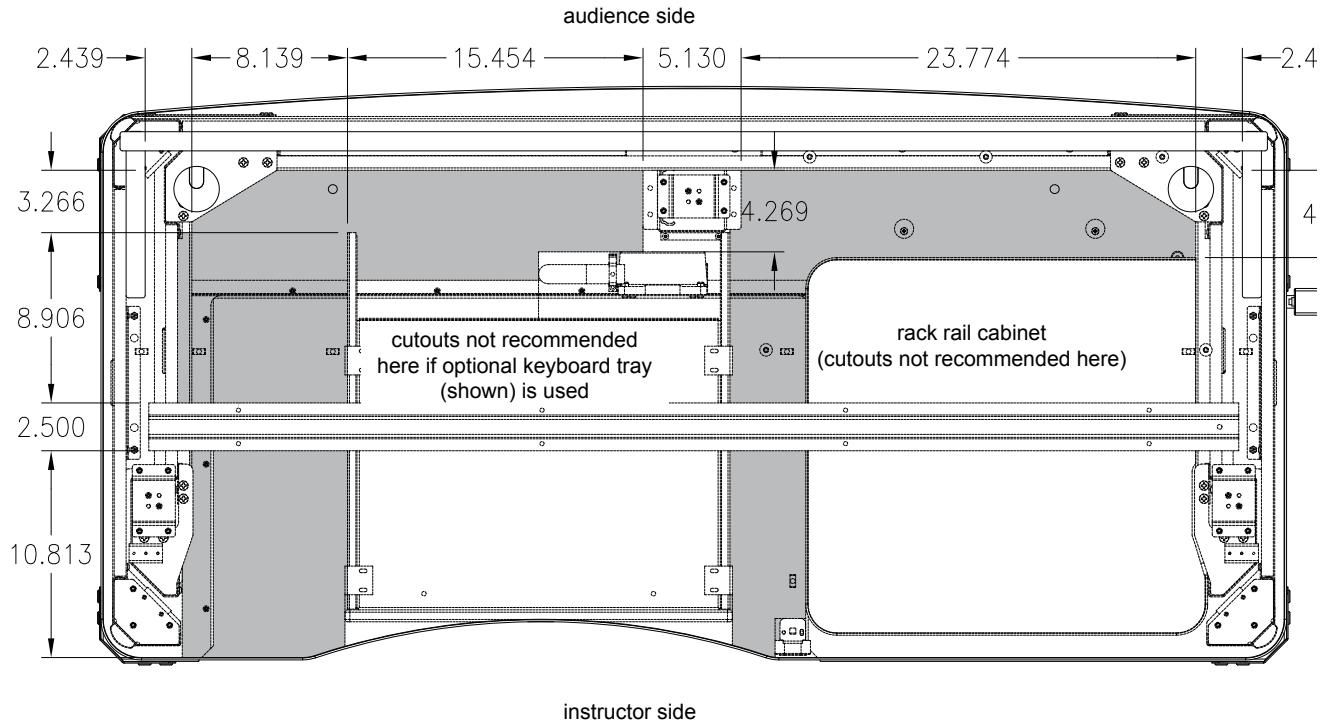
section view A-A



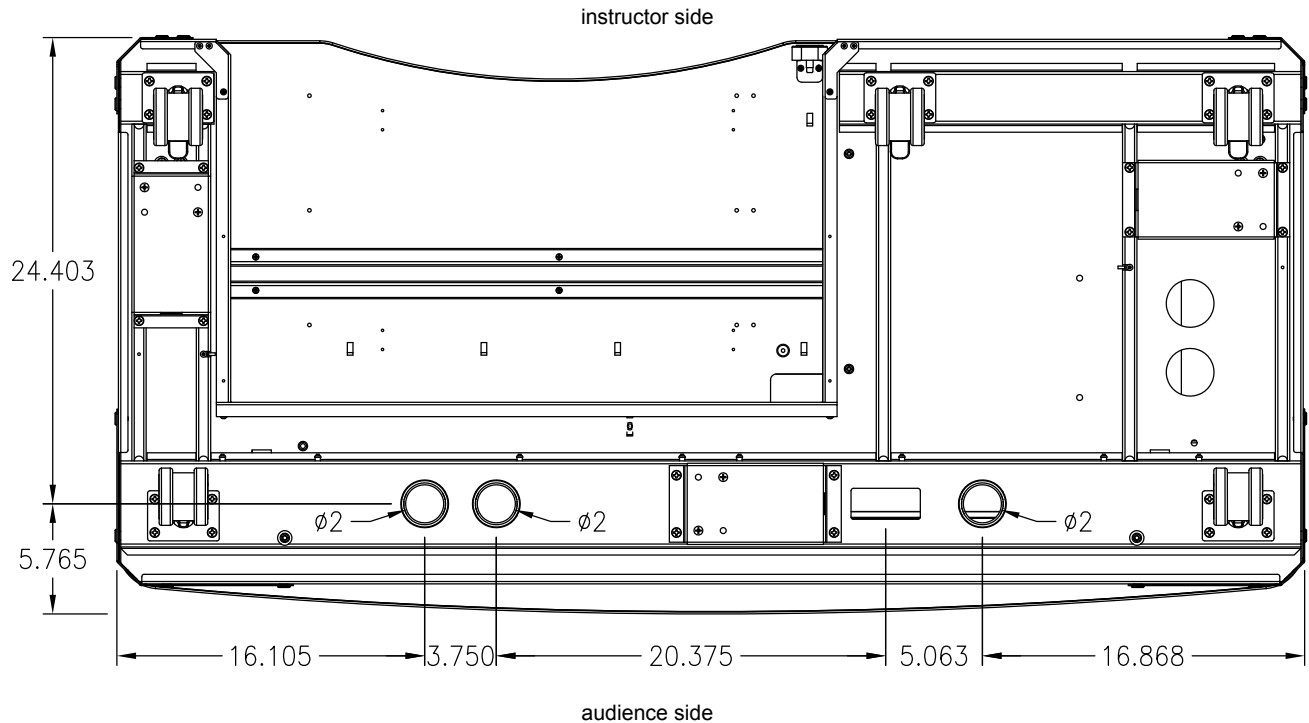
11RU available

Note: Modified worksurface cutouts should be reviewed by Spectrum to ensure clearance of brackets, keyboard slides, or other objects under the worksurface.

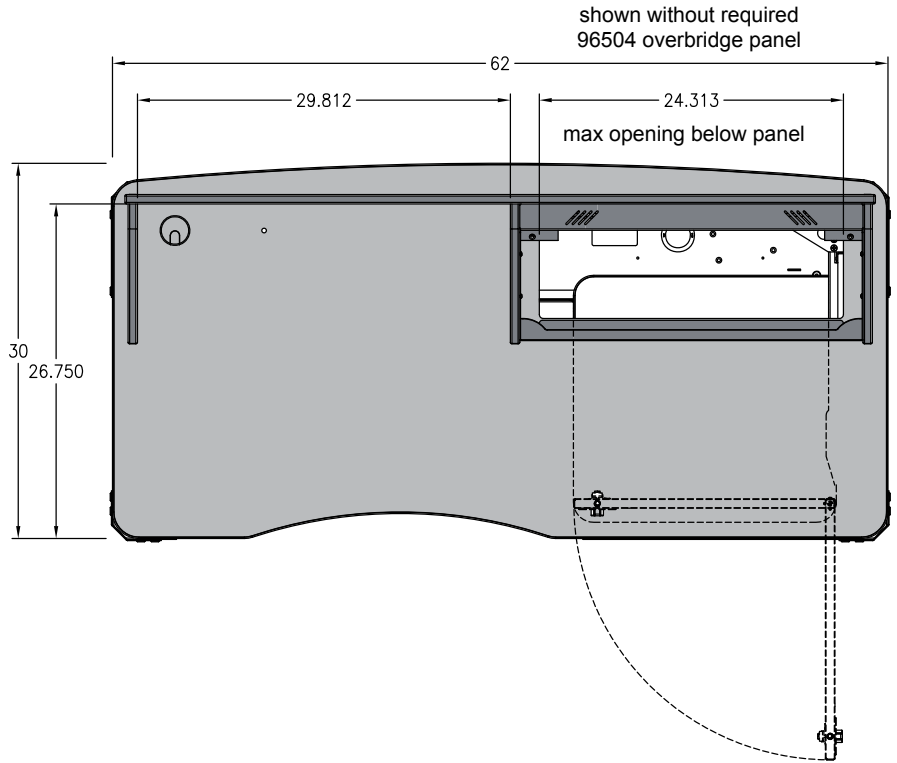
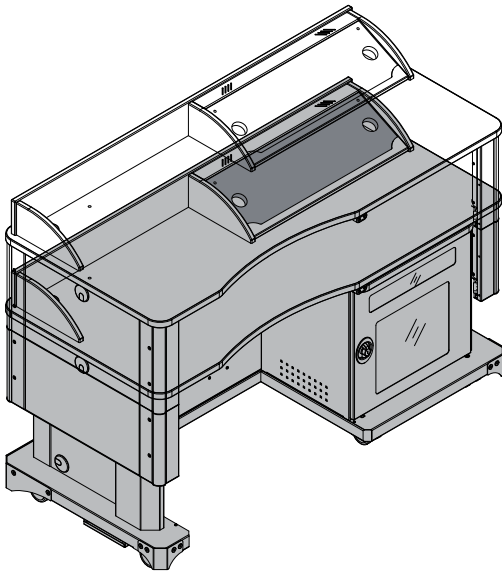
top view  
(shaded portions represent possible cutout areas in worksurface)



bottom view  
with grommet hole locations

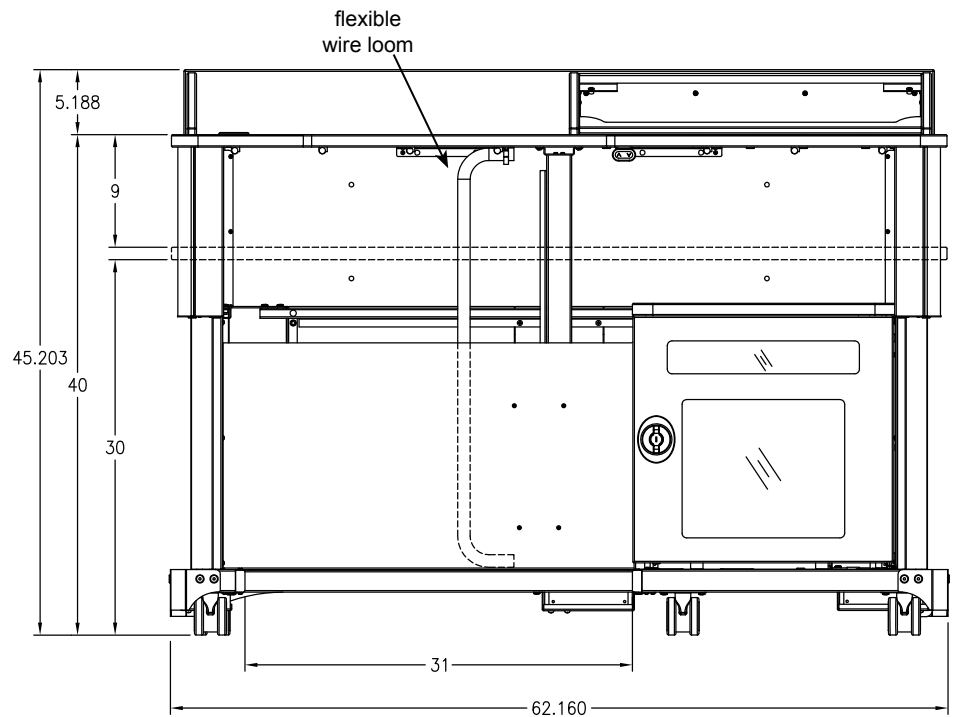
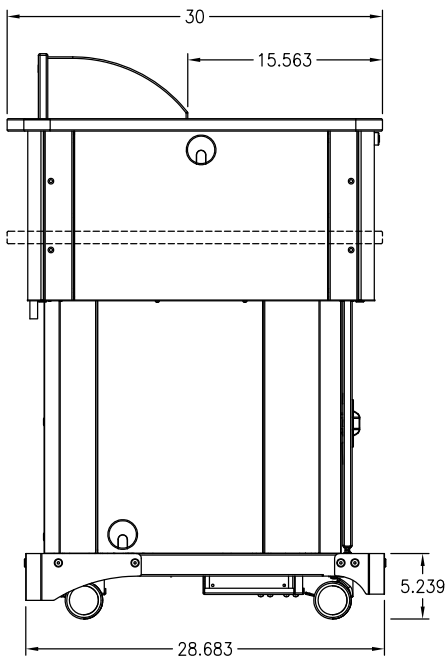


Freedom Lectern XRS  
with Overbridge Control Console™  
(shown with RH rack rail)

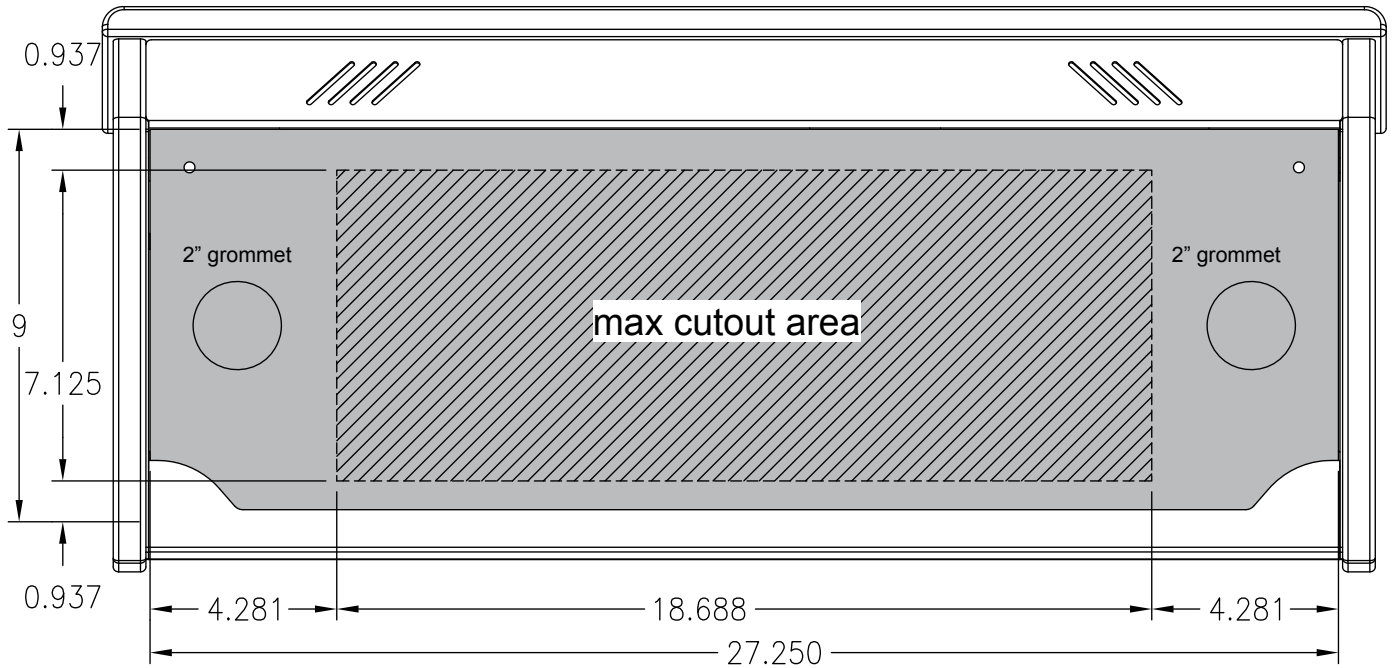


Note: Modified worksurface or overbridge insert panel cutouts should be reviewed by Spectrum to ensure clearance of brackets, keyboard slides, or other objects under the worksurface.

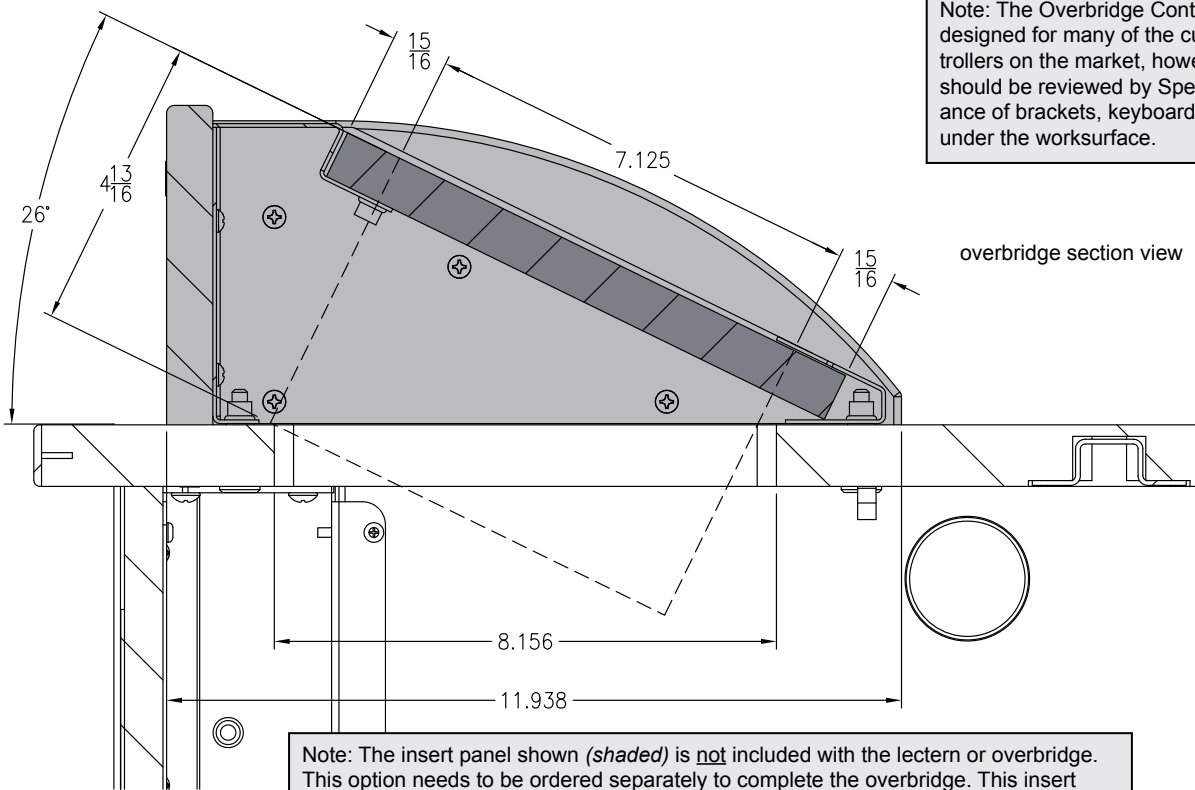
If customers request an overbridge on the opposite side as the rack cabinet, it will be considered custom.



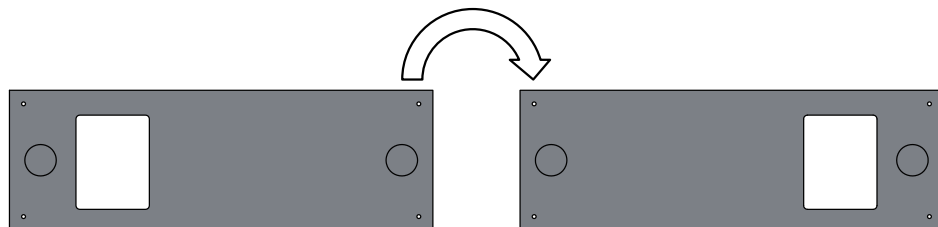
Freedom Lectern XRS overbridge insert panel blank  
(flat view)



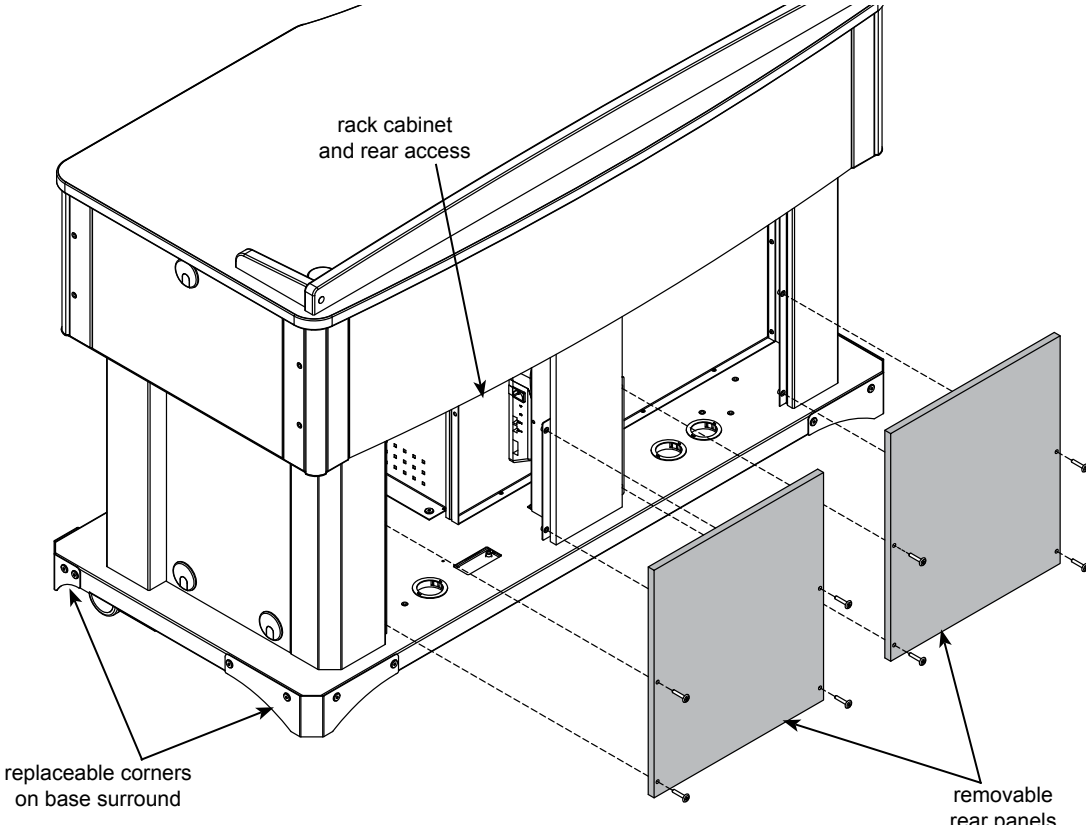
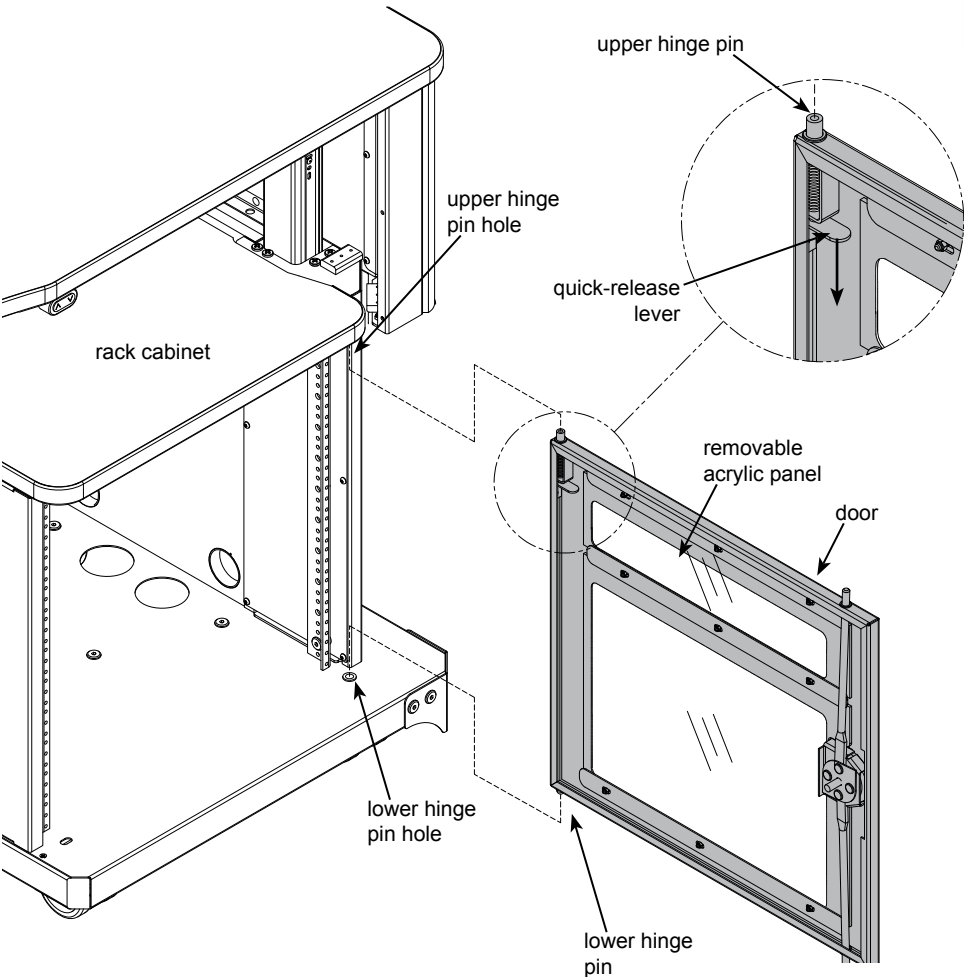
Note: The Overbridge Control Console™ has been designed for many of the currently available controllers on the market, however, modified cutouts should be reviewed by Spectrum to ensure clearance of brackets, keyboard slides, or other objects under the worksurface.



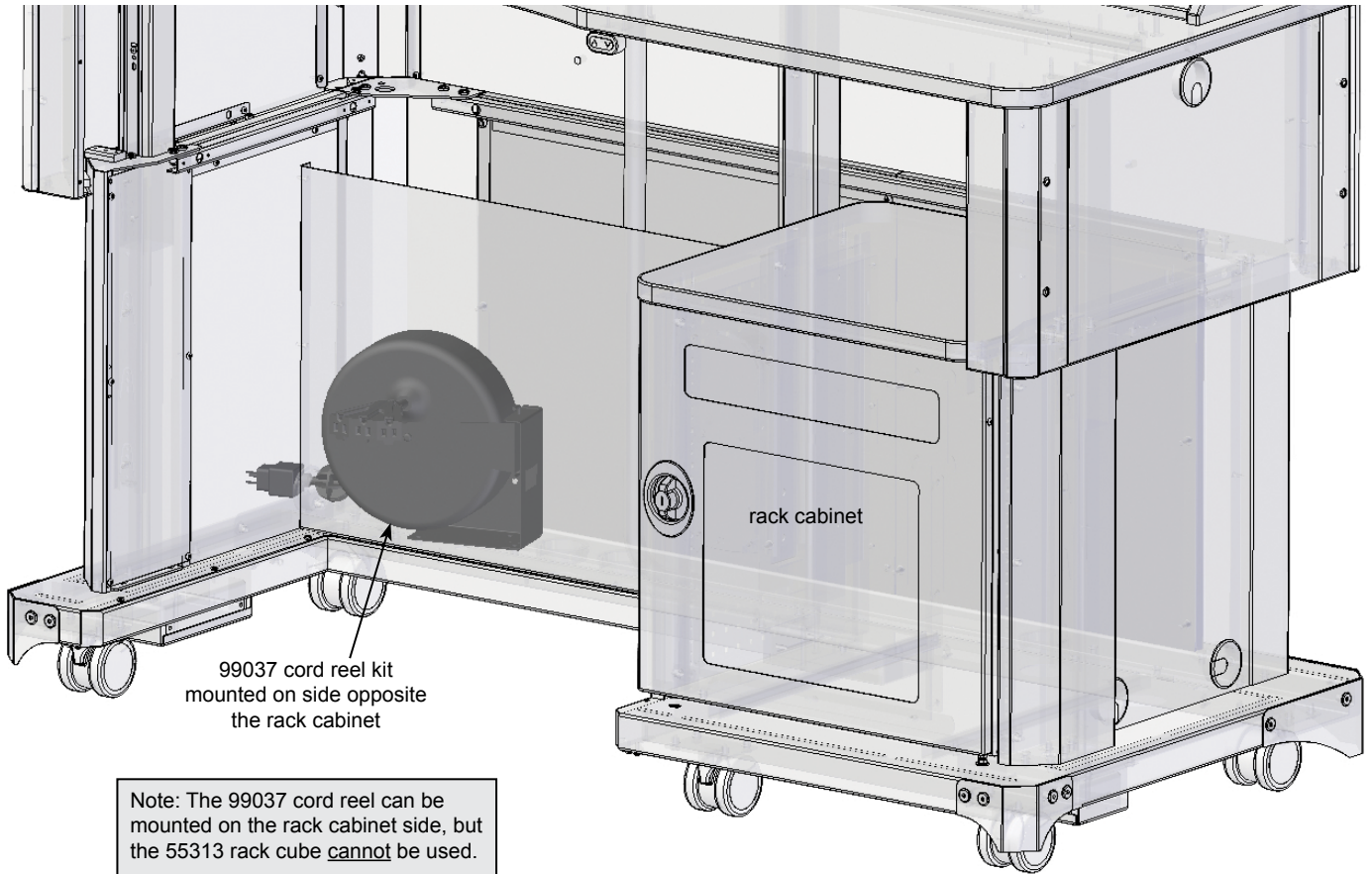
Note: The insert panel shown (*shaded*) is not included with the lectern or overbridge. This option needs to be ordered separately to complete the overbridge. This insert panel is horizontally symmetrical and can be easily removed, rotated, and re-installed if a cutout needs to be relocated to the opposite side of the overbridge.



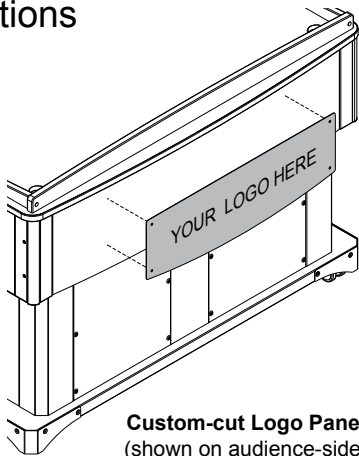




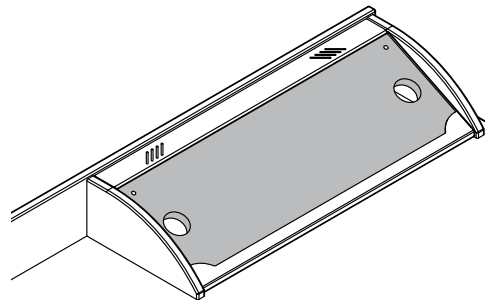
optional universal cord reel kit  
99037



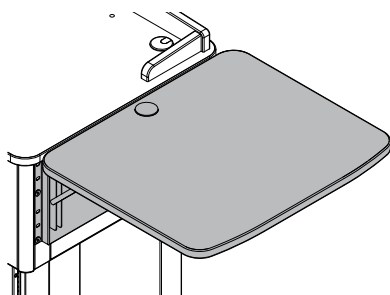
## Options



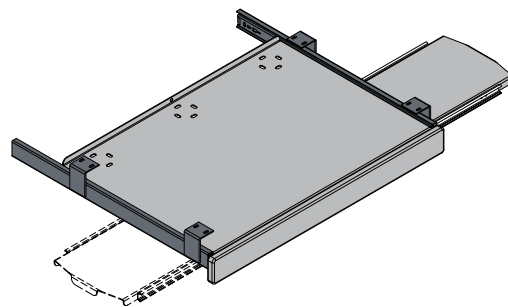
**Custom-cut Logo Panel**  
(shown on audience-side)  
35.25"W x 11"H  
55303



**Overbridge Insert Panel**  
for overbridge version only-contact Spectrum to specify cutout size(s) and position(s)-overbridge not available separately (includes two 2" grommets with covers)  
96504 - blank panel  
96504mod - panel with cutout(s)



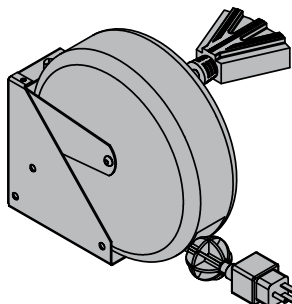
**Flip-up Shelf**  
23"W x 27.375"D  
(mounts on left or right side)  
includes 2" grommet  
(50 lbs max load)  
max 2 per unit  
55301



**Pull-out Worksurface Tray**  
with L or R sliding mouse pad tray  
19.0625"W x 14.1875"D  
(height between worksurface and tray is adjustable from 1.25" to 2.5625"H)  
max 1 per unit  
55302

Note: Power and communication wiring for document cameras, laptop computers, and/or projectors placed on the flip-up shelf should be routed on top of the audience-side of the shelf. Use of the shelf grommet hole for wiring will result in pinching of the cords when the shelf is folded.

Note: CPU slings cannot be used with Freedom XRS lecterns because of mounting and ADA-compliance considerations. If a CPU is necessary, it can and should be installed into the rack cabinet using a rack-mount shelf. (See p.13 for rack-mount accessories.)



**Universal Cord Reel Kit**  
15' [457.2 cm] retractable, 12 AWG, with breaker, includes universal mounting bracket (mounts vertically inside lectern to base panel)  
10 lbs [.45 kg]  
99037

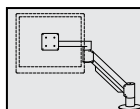
Note: The 99037 cord reel can be mounted on the rack cabinet side, but the 55313 rack cube cannot be used.



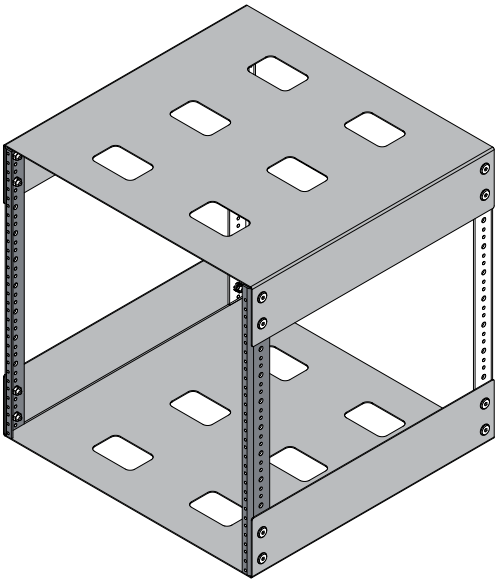
Note: When installed, the cord reel takes up rack units from the bottom of the rack rail.

Horizontal installation: 3RU  
Vertical installation: 6RU

**!** The cord reel is intended to provide temporary access to electrical outlets for Spectrum mobile lecterns. Check local electrical codes prior to installation.



**Flat Panel Monitor Arms and Tablet Mounts**  
(See the Spectrum website or catalog for the latest available monitor arm and tablet mounting options)



**Slide-in Rack Cube 11RU**  
 19.125"W x 19"D x 19.75"H  
 55313

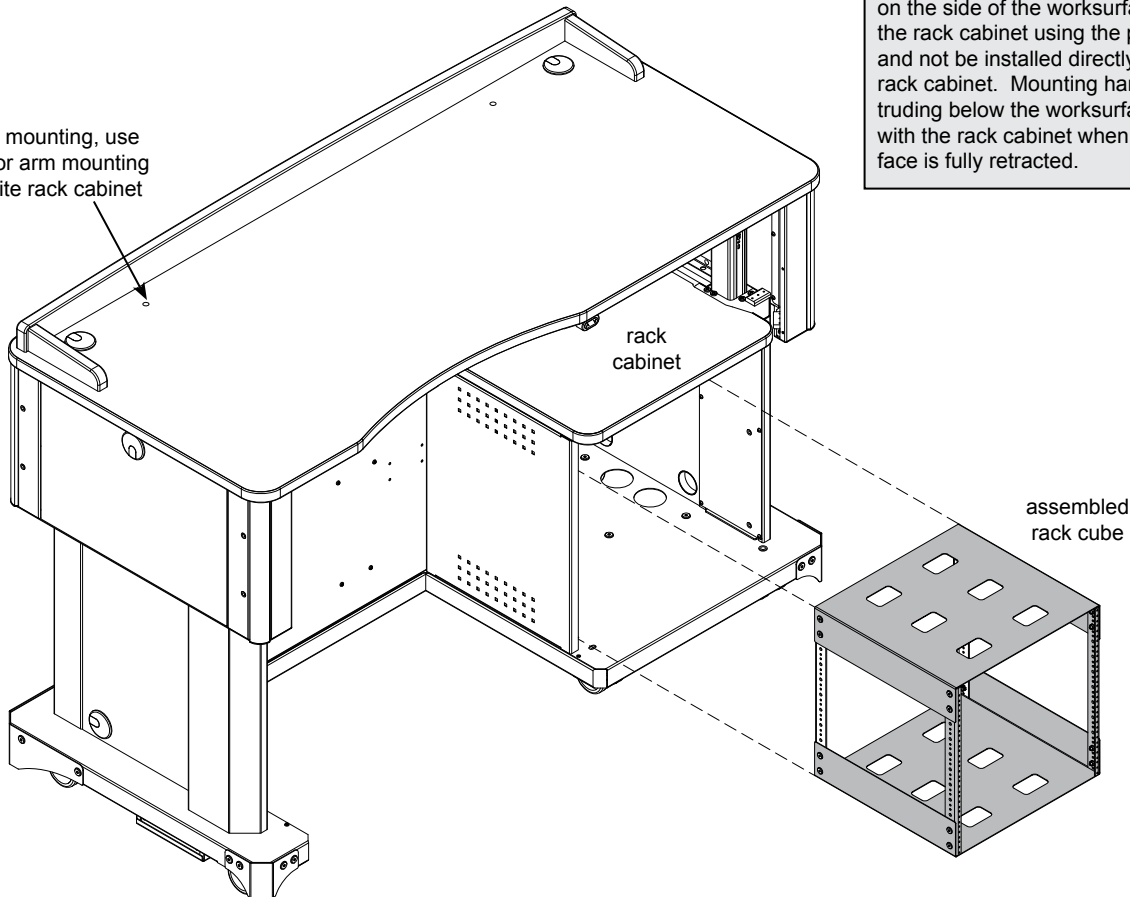
Note: The two existing 11RU rack rails in the rack cabinet must be removed and used in the slide-in rack cube. The cube has front and rear rack rails (11RU available per set) and polyethylene slides on the bottom for easy movement. Attachment to the rack cabinet is not required.

Rack-mount equipment greater than 19.5" in depth will not fit within the slide-in cube.

Verify depth dimension of all equipment to be installed in the cube.

Note: 55313 rack cube cannot be used  
 When the 99037 cord reel is mounted  
 on the rack cabinet side.

for monitor mounting, use  
 .375" monitor arm mounting  
 hole opposite rack cabinet



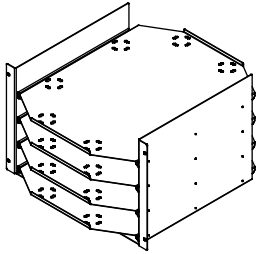
Note: Monitor arms should be mounted  
 on the side of the worksurface opposite  
 the rack cabinet using the provided hole  
 and not be installed directly above the  
 rack cabinet. Mounting hardware pro-  
 truding below the worksurface will collide  
 with the rack cabinet when the worksur-  
 face is fully retracted.

# Rack-mount accessories

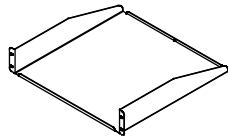
Note: Rack-mount accessories with a depth greater than 21½"D will not fit inside the Freedom Lectern XRS.

Rack-mount accessories with a depth greater than 19½"D will not fit in the optional 55313 rack cube. Check the dimensions of all equipment before installation. The following Spectrum rack-mount accessories will not fit in the optional rack cube:

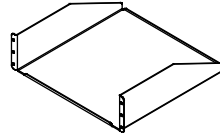
97517 - LT-4 Laptop Storage Unit  
97503 - Pull-out Shelf (3RU)



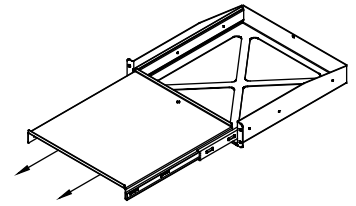
**LT-4 Laptop Storage Unit (7RU)**  
(stores 4 laptops horizontally)  
laptop tray dims:  
16.25"W x 20.5"D x 2.1875"H  
97517



**Cantilever Shelf (2RU)**  
17.5"W x 18"D x 3.5"H  
(50 lbs max load)  
97504

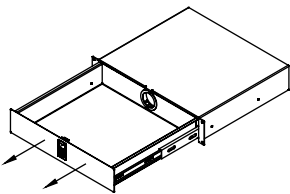


**Cantilever Shelf (3RU)**  
17.5"W x 18"D x 5.25"H  
(80 lbs max load)  
97502

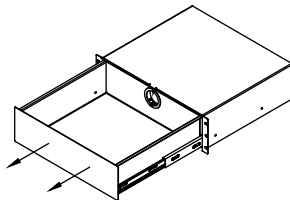


**Pull-Out Shelf (2RU)**  
16.5"W x 17.75"D  
(50 lbs max load)  
97505

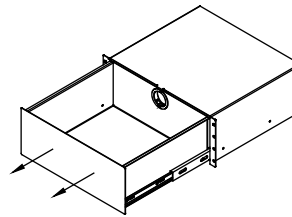
**does not fit 55313 rack cube**



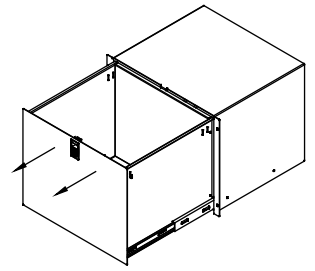
**Locking Drawer (2RU)**  
interior dims:  
15.75"W x 13.6875"D x 2.875"H  
(25 lbs max load)  
97514



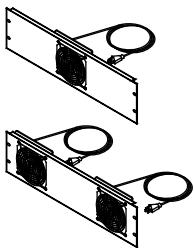
**Drawer (3RU)**  
interior dims:  
15.9375"W x 14.5"D x 5.25"H  
(50 lbs max load)  
97518



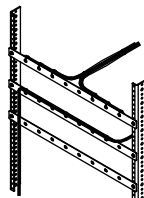
**Drawer (4RU)**  
interior dims:  
15.9375"W x 14.5"D x 7"H  
(50 lbs max load)  
97519



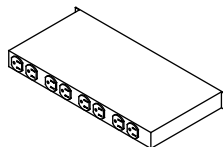
**Locking File Drawer (8RU)**  
with file holder  
interior dims:  
15.75"W x 13.5625"D x 13.3125"H  
(50 lbs max load)  
97515



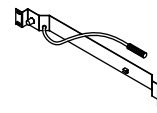
**Cooling Fans (3RU)**  
19"W x 2"D x 5.25"H  
Single Fan-97507  
Double Fan-97506



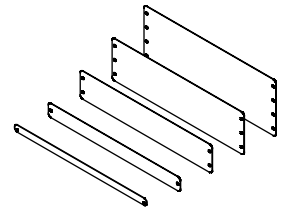
**Wire Lace Kit**  
3 lace straps included  
95517



**9-Outlet Power Strip (1RU)**  
19"W x 9"D x 1.75"H  
99021



**Flexible Halogen Light (1RU)**  
19"W x 2"D x 1.75"H  
99033



**Rack-Mount Blanks**  
(fills rack spaces where components are not needed)

97516 - (½ RU)  
97510 - (1RU)  
97511 - (2RU)  
97512 - (3RU)  
97513 - (4RU)

# Warranty

## WE WILL MAKE IT RIGHT FOR YOU!

Spectrum is committed to provide complete customer satisfaction. Each of our products is manufactured from the best materials available and each product is stringently monitored throughout the production process through our P.A.C.E. program (Product Assurance to meet Customer Expectations).

We expressly warrant that Spectrum products will be of good quality and workmanship and free from defect for the period set out in the warranty table below from the date of delivery. This warranty shall not apply to defects or damage resulting from misuse, abuse, neglect, improper care, modification or repair not authorized by Spectrum, or any other cause outside the control of Spectrum. Spectrum will, at its sole option, either repair or replace the defective product.

This warranty is exclusive; no other warranty, written or oral, is expressed or implied. This warranty is given by Spectrum to Buyer and to no other person or legal entity. No Spectrum dealer, distributor, agent or employee is authorized to make any modification or addition to this warranty.

**NOTWITHSTANDING ANYTHING TO THE CONTRARY, SPECTRUM WILL NOT UNDER ANY CIRCUMSTANCES BE LIABLE FOR INDIRECT OR LIQUIDATED DAMAGES, INCLUDING CONSEQUENTIAL, INCIDENTAL AND SPECIAL DAMAGES. IN NO EVENT SHALL SPECTRUM'S LIABILITY, WHETHER UNDER CONTRACT OR WARRANTY, IN TORT OR OTHERWISE, EXCEED THE PURCHASE PRICE RECEIVED BY SPECTRUM FOR THE PRODUCT AT ISSUE AND "RECALL ACTION" EXPENSES. SPECTRUM SHALL NOT BE SUBJECT TO ANY OTHER OBLIGATIONS OR LIABILITIES, WHETHER ARISING OUT OF BREACH OF CONTRACT, WARRANTY, TORT (INCLUDING NEGLIGENCE AND STRICT LIABILITY) OR OTHER THEORIES OF LAW, WITH RESPECT TO PRODUCTS SOLD OR SERVICES RENDERED BY SPECTRUM, OR ANY UNDERTAKINGS, ACTS OR OMISSIONS RELATING THERETO.**

Our Customer Service Department is ready to provide immediate attention to any questions, comments or concerns. They are available to answer your calls Monday through Friday from 7 am to 5 pm CST. In addition your product comments or concerns are welcome via e-mail at: [spectrum@spectrumfurniture.com](mailto:spectrum@spectrumfurniture.com).

Warranty Table

Item	Warranty Period
• Adjustable Crank/Electric Desk Legs	• 1 Year
• Flat Panel Desk Gas Cylinders	
• Adjustable Height Chair Parts – including frames, gas cylinders, wood and plastic parts, and control handles Adjustable Height Chair Parts Casters	• 7 Years
• Adjustable Height Chair Upholstery	• 2 Years
• In-Stock Upholstery	• 2 Years
• Graded-In Fabrics and Customer Owned Material	• No Warranty
• Height Adjustable Columns and Lifts	• 1 Year
• General Use Casters	
• Electrical	
• Keyboard/Mouse Trays	
• Flat Panel Monitor Arm – General Parts	• 5 Years
• Flat Panel Monitor Arm – Gas Cylinders	• 2 Years
• Computer Desk Chassis	• 10 Years
• Cart Chassis	
• Lectern Chassis	

# Touchboards

205 Westwood Ave, Long Branch, NJ 07740  
 Phone: 866-94 BOARDS (26273) / (732)-222-1511  
 Fax: (732)-222-7088 | E-mail: [sales@touchboards.com](mailto:sales@touchboards.com)



**SPECTRUM**  
**INDUSTRIES INC.**

925 First Avenue, PO Box 400, Chippewa Falls, WI 54729 Ph: 800-235-1262, 715-723-6750 Fax: 800-335-0473, 715-738-2309

E-mail: [spectrum@spectrumfurniture.com](mailto:spectrum@spectrumfurniture.com) web: [www.spectrumfurniture.com](http://www.spectrumfurniture.com)