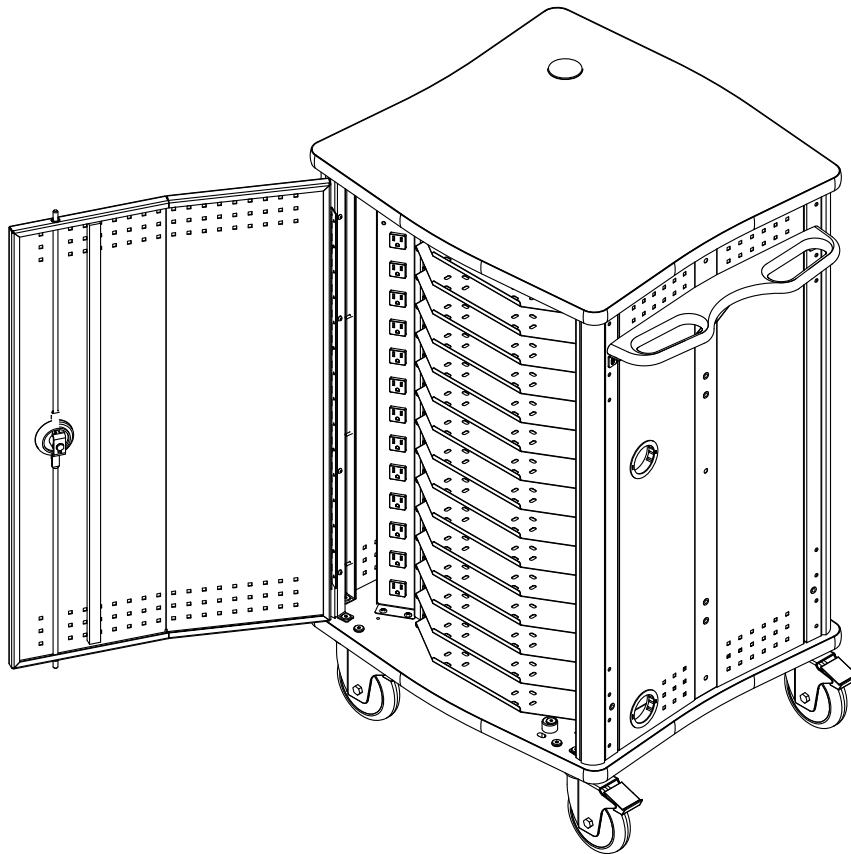


LT-15™ Laptop Cart

55209

Touchboards

205 Westwood Ave, Long Branch, NJ 07740
Phone: 866-94 BOARDS (26273) / (732)-222-1511
Fax: (732)-222-7088 | E-mail: sales@touchboards.com



Important

Before using this product:

- Read this manual
- Comply with all safety and operating instructions
- Ensure all parts and correct quantities are included

Any parts damaged during shipment must be reported within 15 days of receipt. To report information regarding missing parts or damage, to purchase parts or accessories, or if you have any questions, please contact us.

Thank you for purchasing Spectrum products!

Spectrum product page:
<http://bit.ly/LT15cart>



Spectrum Industries, Inc
925 First Avenue, Chippewa Falls, WI 54729 USA
800 235 1262
715 723 6750
www.spectrumfurniture.com

⚠ Important Safety and Care Instructions ⚠

- Read this owner's manual before assembly or operation.
- Do not allow children to move the cart.
- Proceed slowly and carefully when moving the cart.
- For indoor use only. Do not install or store the cart where it will be exposed to moisture.
- Do not block the ventilation openings.
- Avoid uneven loading of the equipment into the cart. Uneven weight distribution could cause the cart to tip when the cart is moving.
- Do not allow anyone to sit, stand, or climb on the cart.
- Use a damp, soft-cloth, or sponge, with mild soap or detergent solution to clean dirty surfaces. Do not use harsh solvents or abrasives.
- This cart is intended for institutional use. It does not have any user-serviceable parts or user-maintenance requirements. If servicing is necessary, please contact Spectrum Industries for assistance.

⚠ Warning - Relocating audio and/or video equipment to furniture not specifically designed to support audio and/or video equipment may result in death or serious injury due to the furnishing collapsing or over turning onto a child.

⚠ Warning - Death or serious injury may occur when children climb on audio and/or video equipment furniture. A remote control or toys placed on the furnishing may encourage a child to climb on the furnishing and as a result the furnishing may tip over on to the child.

Electrical Safety:

- Keep the power switch in the OFF position before plugging or unplugging from the wall outlet.
- Turn OFF the devices before plugging them into the cart.
- Ensure total device / equipment load does not exceed 12-amps.
- Do not plug the power cord into an extension cord.
- Inspect the power cords for damage before each use. Do not use power cords that are damaged.
- Unplug power cord from electrical outlet by gripping the cord. Do not unplug the power cord by pulling only on the cord.
- Do not step on, drive over, drag, or place objects on the power cord.
- For added safety, plug the cart into a grounded outlet controlled by a GFI (Ground Fault Interrupter) circuit breaker.
- Damaged electrical components can create significant hazards to users and is not covered by the warranty. Repairs should always be performed by a qualified electrician.
- Electrical devices are not toys. Children are often unaware of the hazards associated with electrical devices. This cart must always be used by adults or with adult supervision.

Hardware



(10) 052605
1/4-20 x 15mm JC bolts



(2) 041943
1/4-20 locknut



(8) 044555
3/8" hole plug



(3) 042919
5/16" hole plug



(32) 058305
1/4" hole plug



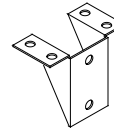
(45) 052608
5" x 3/4" Velcro® wrap



(15) 0110254-5
2" x 3" Velcro® hook and loop



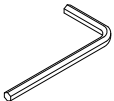
(12) 035252
3/16" x 1/2"
pinetree button



(1) 052577
handle gusset



(2) 055001
handle mount



(1) 025039
4mm hex wrench

1. Assemble handle

1. Attach the handle gusset and handle mounts to the bottom of the handle using 1/4-20 x 15mm JC bolts as shown in **Figure 1**. Do not tighten completely.

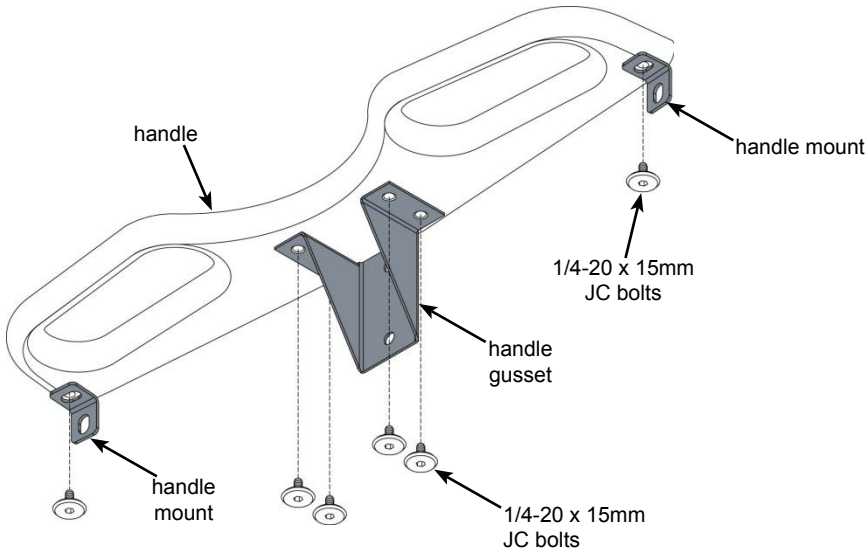


Figure 1

Note: It is critical that all fasteners be used in the attachment of the handle.

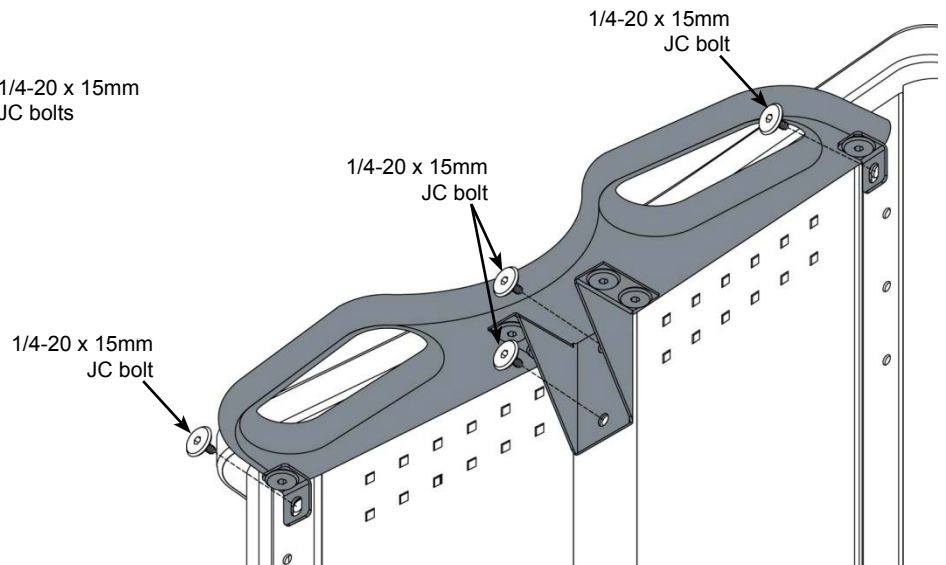
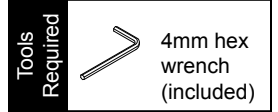


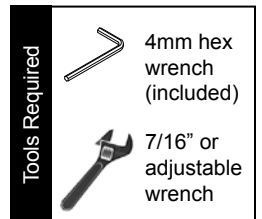
Figure 2



2. Install handle

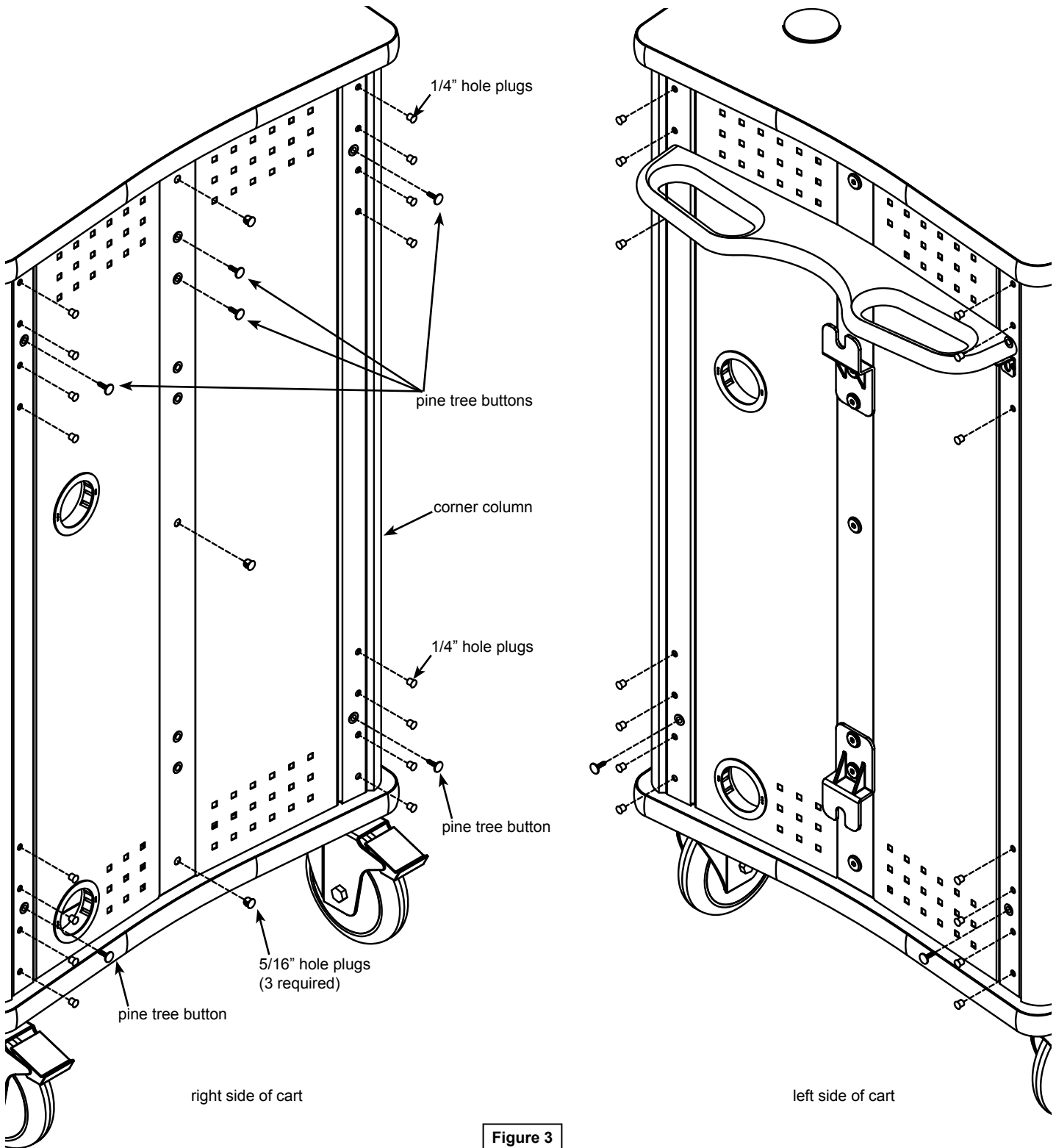
1. Determine which side of the cart you would like the handle to be mounted, and open both doors. *LT-15 carts come with the doors hinged on the power strip-side. This is useful if the unit is going to be placed against a wall. If the cart is going to be placed against a wall, install the handle opposite the hinges.*
2. Attach the handle assembly to the side of the cart with (4) 1/4-20 x 15mm JC bolts as shown in **Figure 2**.
3. Tighten all bolts securely.

Note: If you have the SR version (2 rigid, and 2 swivel wheels) on your particular cart, mounting the handle on the same side as the two swivel wheels will provide more control of the cart when mobile.



3. Install hole plugs

1. If one side of the unit will not have a handle or the optional flip-up shelf attached, install pine tree buttons in the unused mounting holes as shown. **Figure 3.**
2. Install (3) 5/16" hole plugs in the center of the side panel.
3. Install 1/4" hole plugs and pine tree buttons in the remaining open holes as shown.



4. Route power cord

1. Route the power cord through one of the side panels grommets and wrap excess cord around the cord wrap brackets as necessary. **Figure 4.**

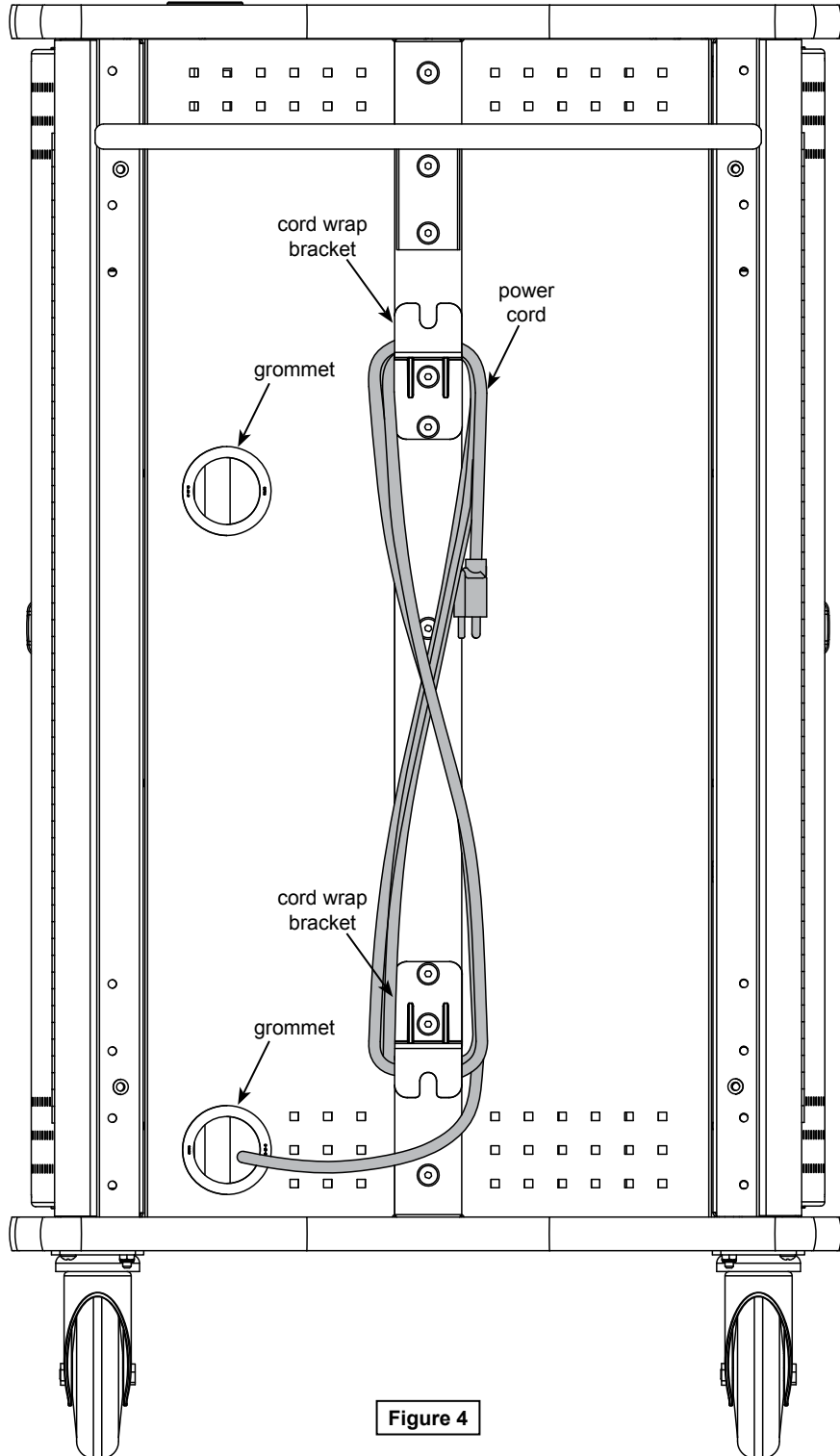
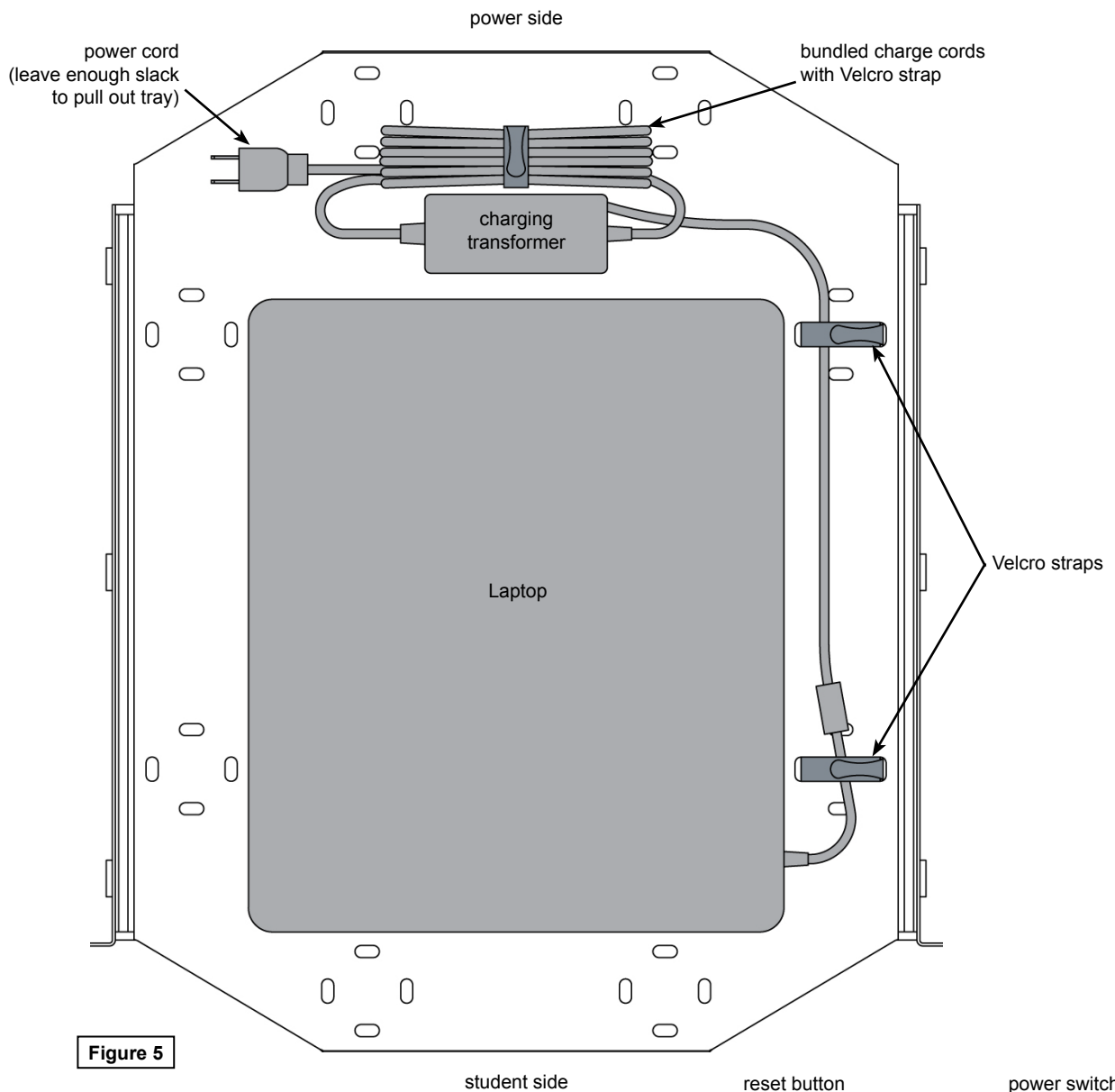


Figure 4

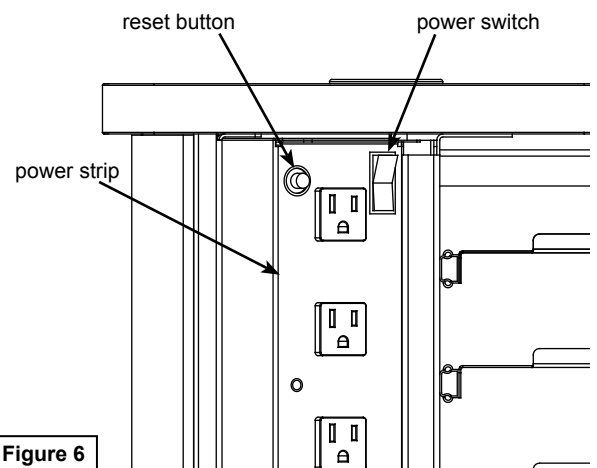
5. Cord management

1. Using the cord management slots in the trays, and Velcro straps provided, bundle the charge cords.
2. Route the charging plug to the student side of the tray to allow easy-access and removal. Anchor with a Velcro strap.
3. Adhesive-backed Velcro hook and loop strips are also provided to attach the charging transformer to the tray if necessary.



Power strip operation

1. With the main power cord unplugged and the power strip switched off, plug the laptop charge cords into the power strip. **Figure 6.**
2. The power strip can be turned on and off with the main power switch. The breaker can be reset in the event of an overload with the reset button.



Door stop adjustment

If necessary, the offset door stop can be rotated slightly to adjust the closed position of the doors and lock rods.

1. To rotate, loosen the JC bolt slightly with a 4mm hex wrench. **Figure 7.**
2. Rotate the door stop until the door is positioned correctly.
3. Re-tighten the JC bolt securely.

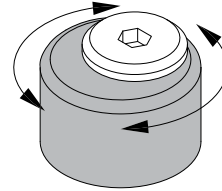
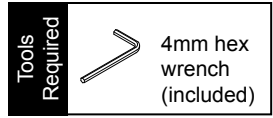


Figure 7



Wheel operation

1. To lock the wheel rotation, press the brake lever. **Figure 8.**
2. To resume operation, lift up on brake lever.

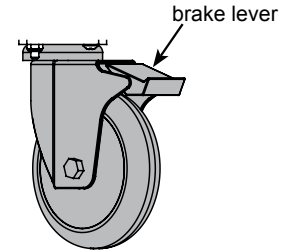


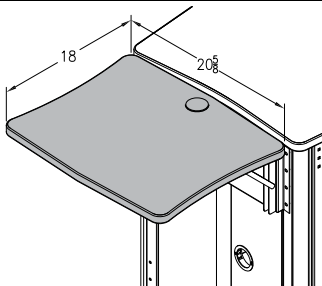
Figure 8

Moving and parking the cart

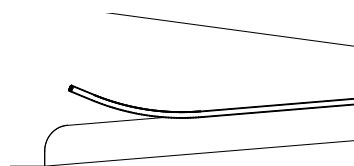
- Before moving, unplug and secure all power cords.
- Close and lock doors.
- Remove any items from the top of the worksurface.
- Unlock the wheels.
- Push slowly and carefully. Do not move over uneven or irregular surfaces.
- Do not allow children to move.
- Lock the wheels after moving.
- Do not park unit in areas of heavy traffic.
- Do not run power cords across hallways, classrooms, or other areas where they will be walked on.
- Do not leave unit unattended in areas where children have access.
- Keep doors closed and locked whenever unit is unattended or parked.
- Keep wheels locked whenever the unit is unattended.

<p>WARNING AVERTISSEMENT ADVERTENCIA</p>				
<p>CAN TIP OVER RESULTING IN RISK OF INJURY. DO NOT ALLOW CHILDREN UNDER 16 TO MOVE CART. MOVE CART SLOWLY.</p>	<p>ONLY ADULTS SHOULD MOVE THIS UNIT</p>	<p>APPLY MOVING FORCE ON NARROW DIMENSION</p>	<p>NEVER APPLY FORCE AT TOP ALWAYS PUSH NEAR MIDDLE</p>	<p>PUSH, DO NOT PULL</p>
<p>LE MEUBLE POURRAIT SE RENVERSER ET CAUSER DES BLESSURES. NE LAISSER PAS LES ENFANTS DE MOINS DE 16 ANS DÉPLACER CELUI-CI. DÉPLACER LE MEUBLE LENTEMENT.</p>	<p>CE MEUBLE DOIT ÊTRE DÉPLACÉ UNIQUEMENT PAR DES ADULTES.</p>	<p>POUSSER DANS LE SENS DE LA LONGUEUR.</p>	<p>NE JAMAIS EXERCER LA FORCE EN HAUT. POUSSER PRÈS DU MILIEU.</p>	<p>POUSSER, NE PAS TIRER.</p>
<p>PUEDE VOLCARSE Y PROVOCAR LESIONES. NO PERMITA QUE LOS NIÑOS MENORES DE 16 AÑOS MUEVAN EL CARRO. MUEVA EL CARRO LENTAMENTE.</p>	<p>SOLO LOS ADULTOS DEBERÁN MOVER ESTA UNIDAD</p>	<p>APLIQUE LA FUERZA MOTRIZ EN DIMENSIONES ESTRECHAS</p>	<p>JAMÁS APLIQUE FUERZA EN LA PARTE SUPERIOR. SIEMPRE EMPUJE CERCA DE LA PARTE INTERMEDIA</p>	<p>EMPUJE, NO JALE</p>
0108899				

Options



Flip-up Shelf
 adjustable-height, mounts on left or right
 18"W x 20"D (50 lbs max capacity)
 55219



Tray Edge Trim
 applies to shelf pull edge
 30 pieces
 55172



Velcro® Strap Kit
 (16) ¾" x 12", and (32) ¾" x 5"
 Velcro® Straps
 95004

Note: Power and communication wiring for document cameras, laptop computers, and/or projectors placed on the flip-up shelf should be routed on top of the audience-side of the shelf. Use of the shelf grommet hole for wiring will result in pinching of the cords when the shelf is folded.

Warranty

WE WILL MAKE IT RIGHT FOR YOU!

Spectrum is committed to provide complete customer satisfaction. Each of our products is manufactured from the best materials available and each product is stringently monitored throughout the production process through our P.A.C.E. program (Product Assurance to meet Customer Expectations).

We expressly warrant that Spectrum products will be of good quality and workmanship and free from defect for the period set out in the warranty table below from the date of delivery. This warranty shall not apply to defects or damage resulting from misuse, abuse, neglect, improper care, modification or repair not authorized by Spectrum, or any other cause outside the control of Spectrum. Spectrum will, at its sole option, either repair or replace the defective product.

This warranty is exclusive; no other warranty, written or oral, is expressed or implied. This warranty is given by Spectrum to Buyer and to no other person or legal entity. No Spectrum dealer, distributor, agent or employee is authorized to make any modification or addition to this warranty.

NOTWITHSTANDING ANYTHING TO THE CONTRARY, SPECTRUM WILL NOT UNDER ANY CIRCUMSTANCES BE LIABLE FOR INDIRECT OR LIQUIDATED DAMAGES, INCLUDING CONSEQUENTIAL, INCIDENTAL AND SPECIAL DAMAGES. IN NO EVENT SHALL SPECTRUM'S LIABILITY, WHETHER UNDER CONTRACT OR WARRANTY, IN TORT OR OTHERWISE, EXCEED THE PURCHASE PRICE RECEIVED BY SPECTRUM FOR THE PRODUCT AT ISSUE AND "RECALL ACTION" EXPENSES. SPECTRUM SHALL NOT BE SUBJECT TO ANY OTHER OBLIGATIONS OR LIABILITIES, WHETHER ARISING OUT OF BREACH OF CONTRACT, WARRANTY, TORT (INCLUDING NEGLIGENCE AND STRICT LIABILITY) OR OTHER THEORIES OF LAW, WITH RESPECT TO PRODUCTS SOLD OR SERVICES RENDERED BY SPECTRUM, OR ANY UNDERTAKINGS, ACTS OR OMISSIONS RELATING THERETO.

Our Customer Service Department is ready to provide immediate attention to any questions, comments or concerns. They are available to answer your calls Monday through Friday from 7 am to 5 pm CST. In addition your product comments or concerns are welcome via e-mail at: spectrum@spectrumfurniture.com.

Warranty Table

Item	Warranty Period
<ul style="list-style-type: none"> Adjustable Crank/Electric Desk Legs Flat Panel Desk Gas Cylinders 	<ul style="list-style-type: none"> 1 Year
<ul style="list-style-type: none"> Adjustable Height Chair Parts – including frames, gas cylinders, wood and plastic parts, and control handles Adjustable Height Chair Parts Casters Adjustable Height Chair Upholstery In-Stock Upholstery Graded-In Fabrics and Customer Owned Material 	<ul style="list-style-type: none"> 7 Years 2 Years 2 Years No Warranty
<ul style="list-style-type: none"> Height Adjustable Columns and Lifts General Use Casters Electrical Keyboard/Mouse Trays 	<ul style="list-style-type: none"> 1 Year
<ul style="list-style-type: none"> Flat Panel Monitor Arm – General Parts Flat Panel Monitor Arm – Gas Cylinders 	<ul style="list-style-type: none"> 5 Years 2 Years
<ul style="list-style-type: none"> Computer Desk Chassis Cart Chassis Lectern Chassis 	<ul style="list-style-type: none"> 10 Years



205 Westwood Ave, Long Branch, NJ 07740
 Phone: 866-94 BOARDS (26273) / (732)-222-1511
 Fax: (732)-222-7088 | E-mail: sales@touchboards.com



925 First Avenue, PO Box 400, Chippewa Falls, WI 54729 Ph: 800-235-1262, 715-723-6750 Fax: 800-335-0473, 715-738-2309

E-mail: spectrum@spectrumfurniture.com web: www.spectrumfurniture.com