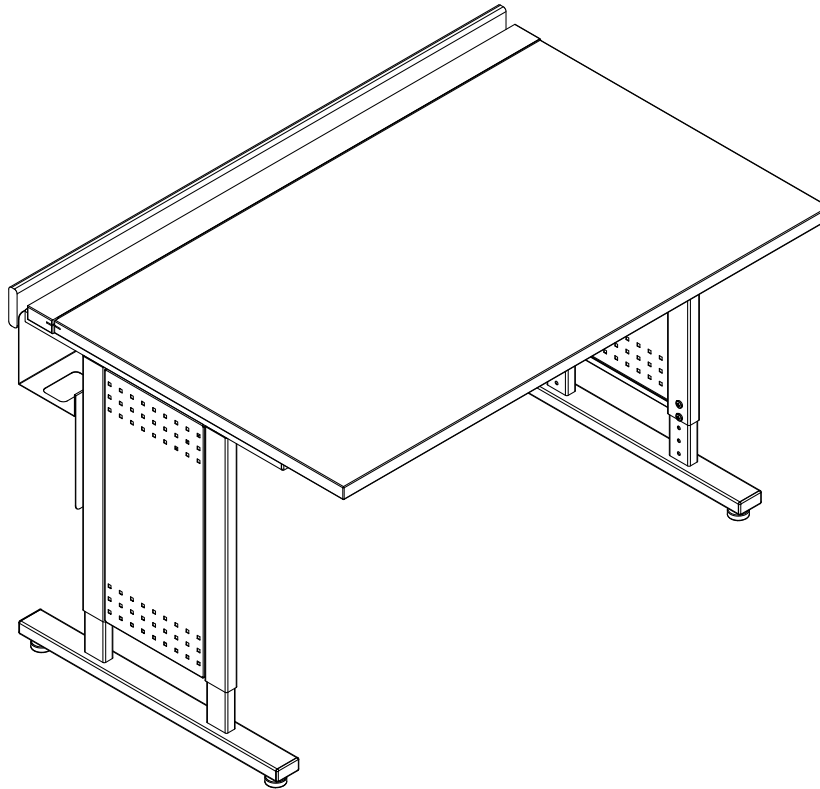


Technical Specifications

22860



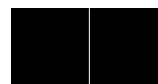
Evolve your Esports Classroom! Bring Spectrum's quality build, wire management, height adjustability, and years of IT furniture development to the arena, with the Esports Evolution Desk! Engineered to enhance your game play, the Esports Evolution desk provides a quality build with a minimalistic design creating an ample field of play and superior ergonomics. Don't settle for an "at home" gaming table, take your team to the winners circle again and again with Spectrum Industries' Evolution Esports desk.

Features and Benefits

- 44" width creates the perfect player space and maximizes arena capacity
- 30" depth allows plenty of room for peripherals and surface-mount CPU
- Height adjustable legs accommodate all gamers
- Scratch and impact-resistant high-pressure laminate top provides a durable, useful worksurface
- Durable powder coated steel chassis provides a long-lasting finish
- Continuous steel cord channel / modesty panel adds strength, keeps computer wires and cables out of the way, is wide enough for most power strips, and allows easy daisy chaining of desks.
- Legs located at edges of desk maximize leg room
- Connectable worksurfaces and optional accessories allow easy adaptation to Esports environments
- Full-length flip-top door for easy cable and wire-access
- Solid oak chair rail protects wires and cables, and the back of the desk
- Attractive steel insert panels
- Leveling glides keep desk level on uneven surfaces
- Matte black finish minimizes glare and player distraction
- Color accents match chairs and arena / team branding
- Optional flat panel monitor mount
- Desk ships "knocked-down" and can be assembled at the final location
- Warranted to be free of all defects in materials and workmanship for 10 years
- Designed and assembled in Chippewa Falls, WI, USA

Color Options

Desk metal and worksurface laminate is black. Edgeband/chair rail accents available in black, green, orange, blue, and silver.



Black Black



Black Green



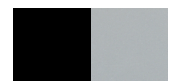
Black Orange



Black Red



Black Blue




Black Silver

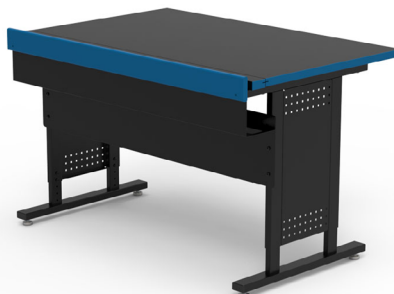
Construction

- The worksurface is constructed from 1" thick NAUF (No Added Urea Formaldehyde) composite board with .030" high-pressure laminate on one face, and a balancing phenolic backer on the opposing face
- Left, right, and student-side edges are finished with 3mm vinyl edgeband
- All metal components are finished with a scratch-resistant powder coat epoxy
- Welded, 16-gauge 1" x 2" rectangular steel tube legs
- Bottom leg rail includes weld-nuts for attaching glides or wheels
- 20-gauge cord channel/modesty panel and leg insert panels
- Chair rail is ¼ #1 select red oak, finished with a catalyzed top coat
- Evolution desks are shipped knocked-down (KD) and require assembly

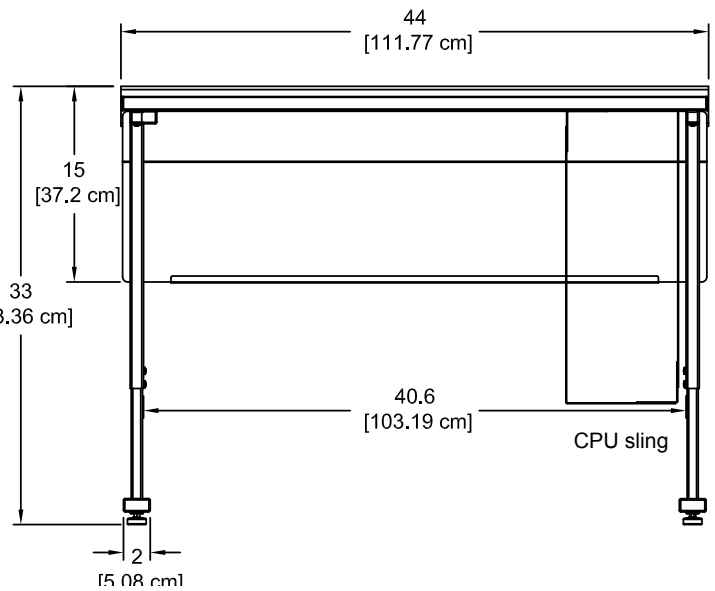
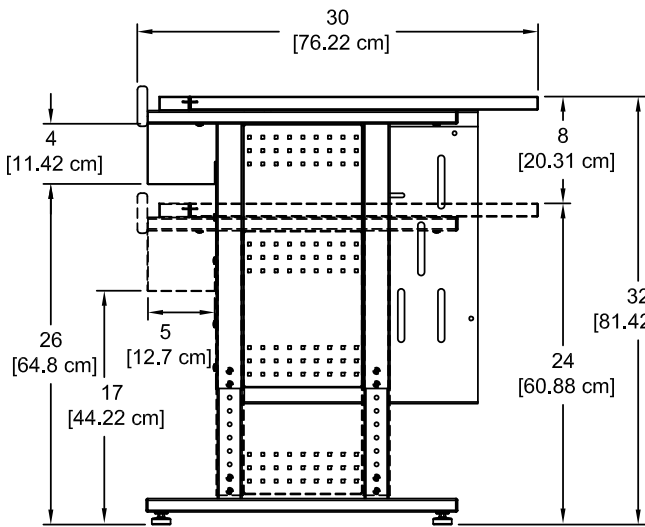
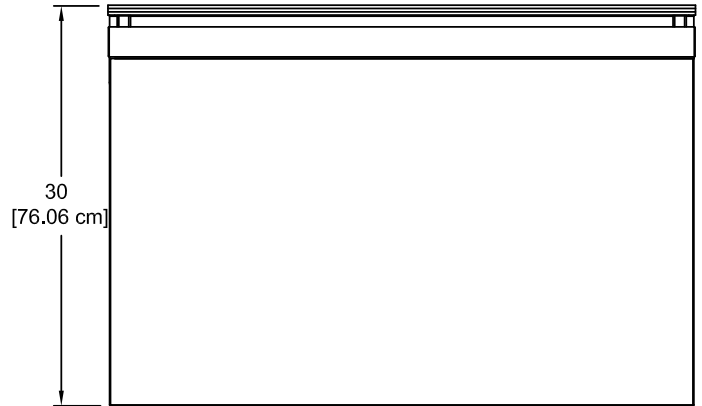
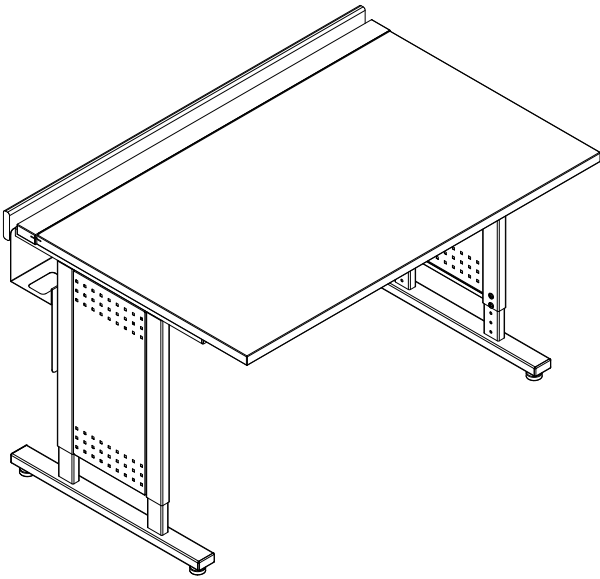
Specifications

Sizes available	44"W [111.8 cm] x 30"D [76.2 cm]
Heights available	24-32"H [61 - 81.3 cm] (adjustable in 1" increments)
Cord channel dims	4.97"D [12.6 cm] x 4.5"H [11.4 cm]
ADA-compliance* 	<ul style="list-style-type: none"> • 1 ADA seat per table <p><i>*Minimum ADA guidelines for knee clearances are 30"W x 19"D x 27"H</i></p>
Certifications / Compliance	<ul style="list-style-type: none"> • SCS Indoor Advantage Certified • TAA compliant • Meets or exceeds applicable ANSI-BIFMA test standards
Shipping weight (nominal)	95 lb [43.1 kg]

Specifications subject to change without notice

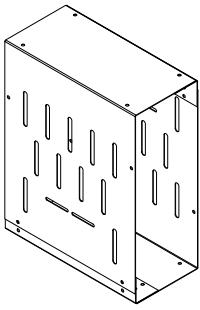


Esports Evolution Desk
 (shown with optional 95500 CPU sling)



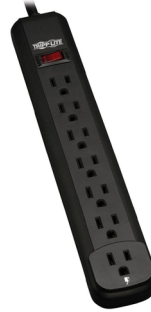
Note: When determining leg spacing on Evolution desks with an optional CPU sling (95500 shown,) subtract 7.875", 8.875", or 9.875" (adjustable sling widths) from the 40.6" leg spacing dimension.

Accessories



Adjustable CPU sling - 95500

- 8"-10"W x 17.5"D x 21"-23"H



7-Outlet Power Strip - 99024

- Electrical Rating: AC 125V, 15 Amps
- 1000 Joules surge capacity
- 12' Cord length
- LED switch
- UL Listed
- Shipping weight: 1.9 lb [.86 kg]



Flat Panel Monitor Arm

- 95512** - for monitors weighing 2-13 lb
- 95522** - for monitors weighing 7.5-25 lb
- 95509** - for monitors weighing 12-31 lb

- Six mounting options (clamp, thru-desk, wall, grommet hole, side bolt, reverse wall)
- Compatible with all VESA® monitors - includes 75mm and 100mm VESA® adapters
- Cable management concealed in arm



Dual Flat Panel Monitor Arm - 95533

- Weight range: 3.5-13 lb per monitor
- Six mounting options (clamp, thru-desk, wall, grommet hole, side bolt, reverse wall)
- Compatible with all VESA® monitors - includes 75mm and 100mm VESA® adapters
- Cable management concealed in arm



Arozzi Verona V2 Advanced Gaming Chair - 38144

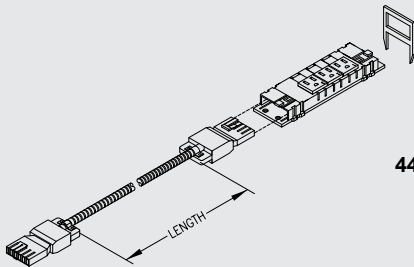
- Recline angle goes up to a steep 165°; recline the backrest at 4° lockable increments
- Rocking function with adjusted resistance up to 12°
- Tough metal frame supporting up to 231 lb [105kg]
- The soft pleather is built to last and is easy to clean.
- 2 year limited warranty



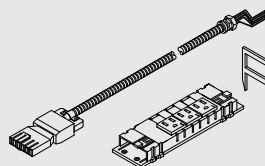
Arozzi Verona Pro V2 Premium Gaming Chair - 38145

- Steep recline going back up to 165°
- Pro locking mechanism that can tilt the seat back and be locked in place
- Large premium casters for easy movement
- Rocking function with adjusted resistance
- Tough metal frame supporting up to 290 lb [130kg]
- The soft pleather is built to last and is easy to clean.
- 2 year limited warranty

EP8 Kits and Accessories



44" EP8 Kit - 99009



Base Power Feed - 99022
with 36" flexible cord

See spectrumfurniture.com for the latest accessories and detailed warranty information.

Warranty

We will make it right for you!

Spectrum is committed to provide complete customer satisfaction. Each of our products is manufactured from the best materials available and each product is stringently monitored throughout the production process through our Quality Management System.

We expressly warrant that Spectrum products will be of good quality and workmanship and free from defect for the period set out in the warranty table below from the date of delivery. This warranty shall not apply to defects or damage resulting from normal wear and tear, misuse, or unintended use, failure to follow instructions related to the product's installation or intended use, abuse, neglect, improper care, modification or repair not authorized by Spectrum, or any other cause outside the control of Spectrum. Spectrum will, at its sole option, either repair or replace the defective product.

This warranty is exclusive; no other warranty, written or oral, is expressed or implied. This warranty is given by Spectrum to Buyer or Buyer third party end user and to no other person or legal entity. No Spectrum dealer, distributor, partner, reseller, agent or employee is authorized to make any modification or addition to this warranty.

NOTWITHSTANDING ANYTHING TO THE CONTRARY, SPECTRUM WILL NOT UNDER ANY CIRCUMSTANCES BE LIABLE FOR INDIRECT OR LIQUIDATED DAMAGES, INCLUDING CONSEQUENTIAL, INCIDENTAL AND SPECIAL DAMAGES. IN NO EVENT SHALL SPECTRUM'S LIABILITY, WHETHER UNDER CONTRACT OR WARRANTY, IN TORT OR OTHERWISE, EXCEED THE PURCHASE PRICE RECEIVED BY SPECTRUM FOR THE PRODUCT AT ISSUE AND "RECALL ACTION" EXPENSES. SPECTRUM SHALL NOT BE SUBJECT TO ANY OTHER OBLIGATIONS OR LIABILITIES, WHETHER ARISING OUT OF BREACH OF CONTRACT, WARRANTY, TORT (INCLUDING NEGLIGENCE AND STRICT LIABILITY) OR OTHER THEORIES OF LAW, WITH RESPECT TO PRODUCTS SOLD OR SERVICES RENDERED BY SPECTRUM, OR ANY UNDERTAKINGS, ACTS OR OMISSIONS RELATING THERETO.

Our Customer Service Department is ready to provide immediate attention to any questions, comments or concerns. They are available to answer your calls Monday through Friday from 7 am to 5 pm CST. In addition your product comments or concerns are welcome via e-mail at: spectrum@spectrumfurniture.com.

Warranty Table

Item	Warranty Period
Desk, table, cart and lectern chassis	10 Years
Electrical	2 Years
Flat panel monitor arms / gas spring / general parts	2 Years
Adjustable crank / electric legs and accessories	2 Years
Flat panel desk gas spring cylinders	2 Years
Height adjustable columns, lifts & accessories	2 Years
Casters & wheels	2 Years
Keyboard, mouse, trays	2 Years
Locks & keys	2 Years
Tubs, totes and other accessories	1 Year
Chairs	7 Years
Structural components, including gas cylinders, wood, metal and plastic parts (i.e., chair frames, bases and control handles)	
Consumable items (i.e., casters, glides, etc.)	5 Years
In-stock upholstery	5 Years
Arozzi chairs	2 Years
Customer supplied material	No Warranty



Spectrum Industries Inc.
is Certified ISO 9001:2015