

Assembly Instructions

⚠ Important ⚠

Before you begin, read and comply with all safety and operating instructions, and ensure all parts and correct quantities are included.

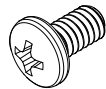
Any parts damaged during shipment must be reported within 5 days of receipt. To report information regarding missing parts or damage, to purchase parts or accessories, or if you have any questions, please contact us.

www.spectrumfurniture.com
800-235-1262, 715-723-6750

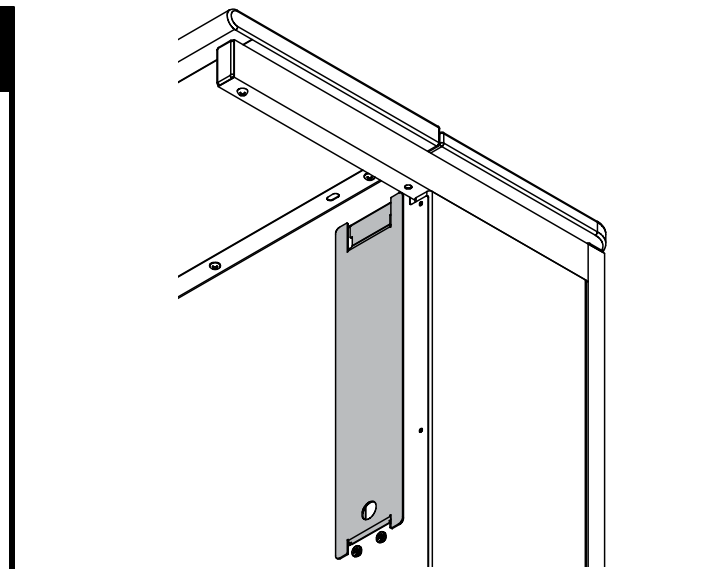
Thank you for purchasing Spectrum products!



(1) 0118036
Cover Plate



(2) 035728
1/4-20 x 1/2" PHMS



Cover Plate for Flex Insight Desk™
38978

Cover Plate Installation

1. Remove the (2) #14 screws and (2) 1/4-20 nuts to remove the existing CPU sling. **Figure 1.**
2. Access and remove the (2) 1/4-20 x 1/2" PHM screws from behind the shroud to remove the support bracket. **Figure 2.**
3. Slide the cover plate into position as shown and align the mounting holes. **Figure 3.** (The tabs on the plate go behind the shroud.)
4. Secure the cover plate with (2) 1/4-20 x 1/2" PHMS. **Figure 4.**

Note: Most Flex Insight desks are configured for use with monitor(s) and CPU tower(s). CPU sling(s) and bracket(s) are factory-installed. The cover plate adapts the desk to all-in-one monitor, or thin-client use.

Tools Required	
	Phillips Screwdriver
	7/16" or Adjustable wrench

