

# Assembly Instructions



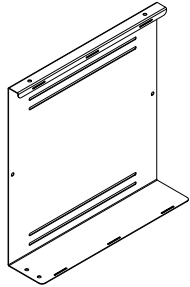
**Important**

Before you begin, read and comply with all safety and operating instructions, and ensure all parts and correct quantities are included.

Any parts damaged during shipment must be reported within 5 days of receipt. To report information regarding missing parts or damage, to purchase parts or accessories, or if you have any questions, please contact us.

[www.spectrumfurniture.com](http://www.spectrumfurniture.com)  
800-235-1262, 715-723-6750

Thank you for purchasing Spectrum products!



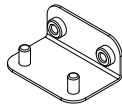
(1) CPU Sling  
0117848 - 24"D  
0107801 - 30"D



(2) 0107595  
Strap / buckle  
assembly (58")



(2) 0101382  
#14 x 7/8" PHSM



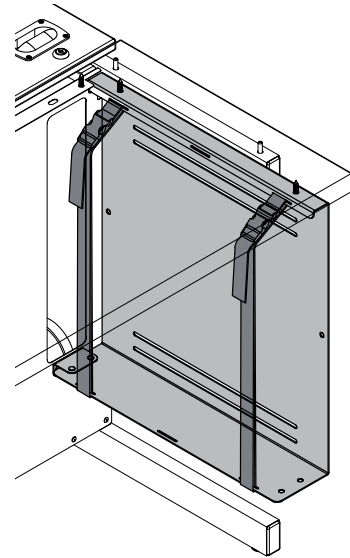
(1) 0107804  
Sling Bracket



(2) 035728  
1/4-20 x 1/2" PHMS



(2) 041943  
1/4-20 x 1/2"  
PHMS



## CPU Sling for Flex Insight Desk™

24"D desks - 38981  
30"D desks - 38980

Note: 1 sling is required on single desks, 2 on double desks

Tools Required



Phillips  
Screwdriver



7/16" or  
Adjustable  
wrench

### 1. Remove Existing Cover Plate

1. Remove the (2) 1/4-20 x 1/2" PHM screws. **Figure 1.**
2. Remove cover plate.

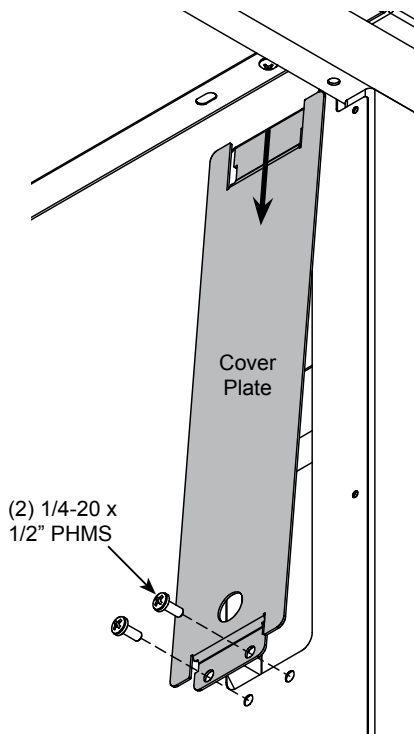
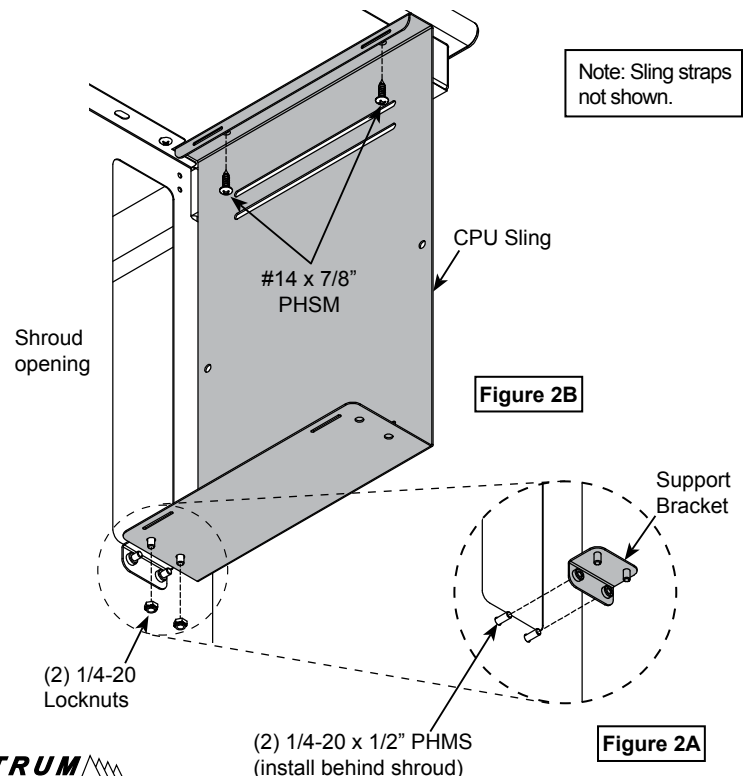


Figure 1

### 2. Install CPU Sling

1. Install the support bracket under the shroud opening as shown with (2) 1/4-20 x 1/2" PHM screws from behind the shroud. **Figure 2A.**
2. Align the support bracket holes and attach the sling to the worksurface with (2) #14 x 7/8" PHSM screws. **Figure 2B.**
3. Install (2) 1/4-20 locknuts to secure the sling to the support bracket.



Note: Sling straps not shown.

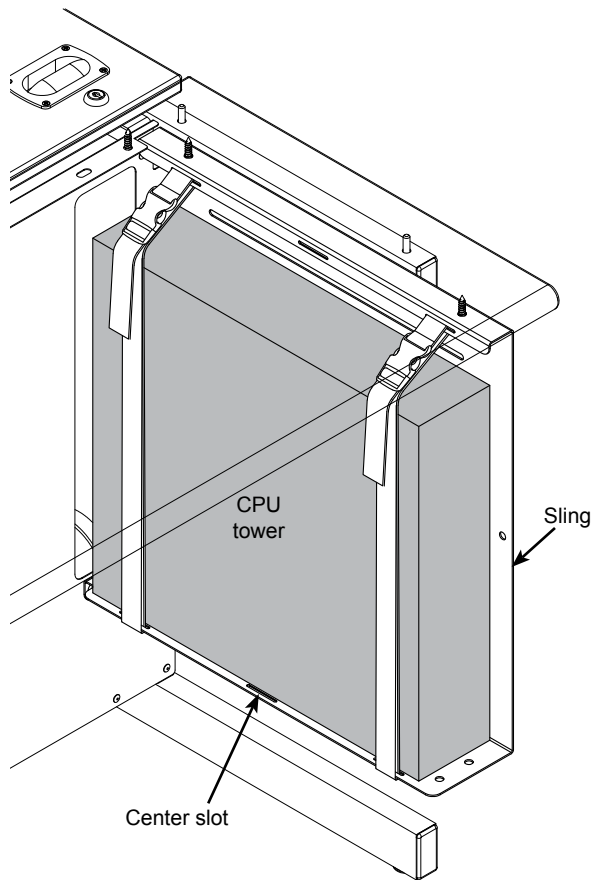
Figure 2B

Figure 2A

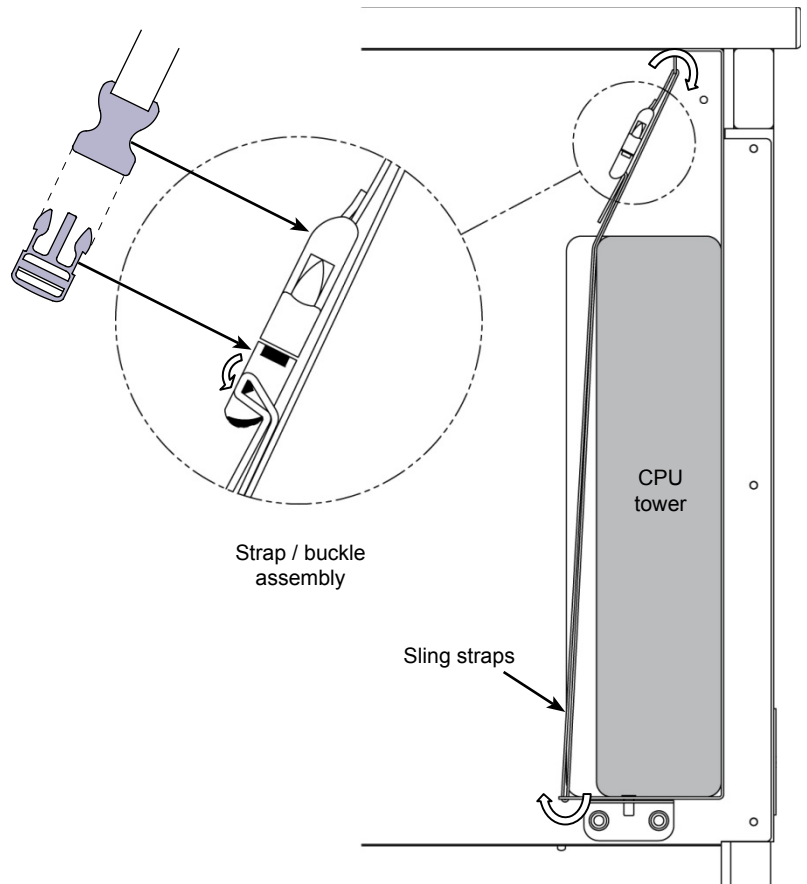
### 3. Install CPU tower

1. Using the slots, install the straps onto the sling. **Figure 3A.**
2. Set the CPU tower into the sling.
3. Make sure the CPU tower will be supported by both straps and tighten the straps while keeping the buckles positioned as high as possible to avoid interference. **Figure 3B.**

Note: The center slot can be used for better support of smaller CPU towers. If the center slot is necessary, take the rear strap out of the rear slot and thread into the center slot shown in **Figure 3B**. Thread the strap as shown in **Figure 3A**.



**Figure 3B**



**Figure 3A**