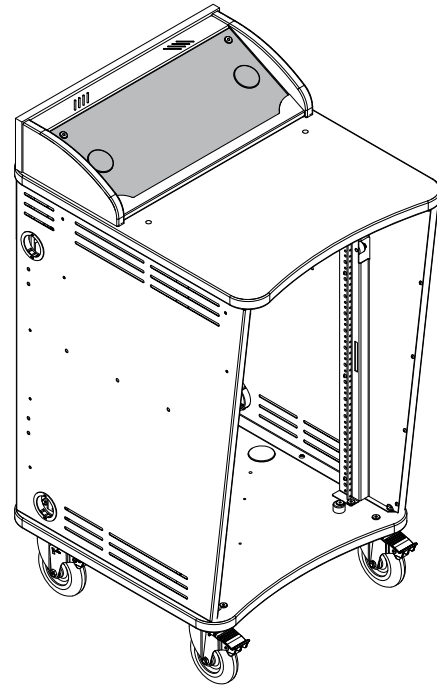
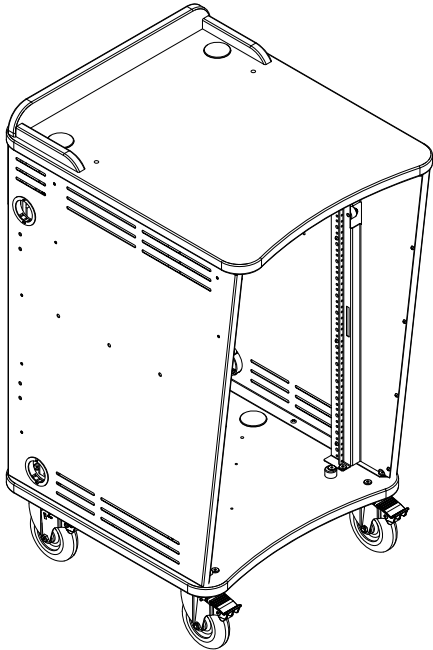


Technical Specifications

55411



Use the Inspiration Plus Lectern where a small-footprint lectern with rack rail for equipment storage is required. The Inspiration Plus Lectern is available in two heights; 36 inch and 42 inch. The 36-inch lectern has 15 rack units available and the 42-inch lectern has 19 rack units. On the audience side is a lockable door that can have an optional custom-cut logo. An optional locking presenter side door is available. The lectern can have either a toe kick or five-inch balloon casters installed for stationary or mobile use. The worksurface is 24-inches wide and 28-inches deep. The worksurface has a surround, two covered wiring holes, and two mounting holes for optional monitor arm installation on the left or right. An optional Overbridge Control Console can be added to the worksurface for additional control access. Up to two optional flip-up shelves can be added to increase the worksurface size. An optional keyboard tray is available. Other options available include a side table that can be mounted to the left or the right side of the lectern, audience side rack rail to double the rack units, and rack-mount accessories (shelves, drawers, cooling fans, and others).

Features and Benefits

- Available in 36" or 42" heights for optimal viewing level
- Durable powder coated steel chassis provides a long-lasting finish
- Scratch and impact-resistant high-pressure laminate top provides a durable, useful worksurface for instructors
- Four inboard 5" locking balloon wheel plate casters with metal construction and non-marring rubber provide the easiest-rolling, and quietest transport in the industry (rated for 325 lb each) (BW / SR)
- Toe kick (TK) version available when mobility is not necessary or desired
- Standard locking audience-side door provides easy-access to equipment (can be flipped to be hinged from the left or right)
- Standard worksurface surround provides privacy and styling
- Blank overbridge console version allows custom cutouts and installation of presentation controllers
- Two 2" cable grommets (left and right) on the worksurface or overbridge provide cable access
- Rack-rail equipment mounting (42"H - 19RU, 36"H - 15RU)
- Locking audience side door provides security and easy-access
- Ventilated side panels help keep equipment cool
- Cable grommets keep wires and cords organized
- Can be used in a seated or standing position
- Worksurface and base panel vinyl edging protects walls and furniture
- Lectern ships fully-assembled for quick, simple integration and deployment
- Optional ADA-compliant side table provides additional presentation space
- Optional keyboard tray can be installed under worksurface
- Optional flip-up document camera/task shelf provides a convenient additional worksurface
- Optional locking instructor-side door provides security
- Optional rear rack rail provides additional rack units if necessary
- SCS Indoor Advantage Certified; meets or exceeds applicable ANSI-BIFMA test standards
- Warranted to be free of all defects in materials and workmanship for 10 years
- Assembled in Chippewa Falls, WI, USA

Color Options

See spectrumfurniture.com for complete color options and combinations.

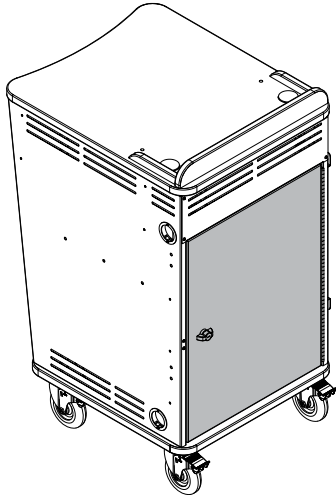
Construction

- The worksurface and base panel is constructed from 1" thick NAUF (no added urea formaldehyde) composite board with .030" high-pressure laminate on one face, and a balancing phenolic backer on the opposing face
- Metal components consist of 16-gauge steel
- Solid wood worksurface surround
- Worksurface edges are covered with 3mm vinyl
- All metal components are finished with a scratch-resistant powder coat epoxy
- Each Inspiration Plus Lectern is factory-assembled with casters or toe kick, packaged, and shipped on its own skid

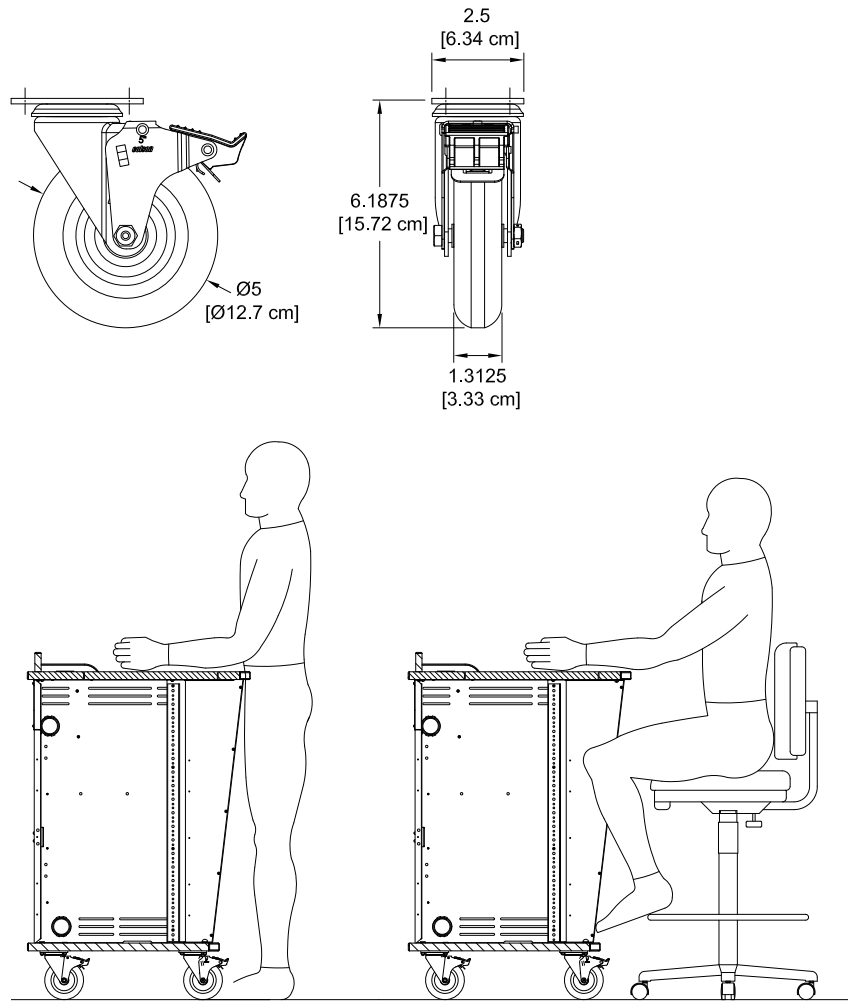
Specifications

| | | |
|-------------------------------|--|---|
| Total internal area (nominal) | 21.5"W x 18.75"D x 28"H (36"H) 21.5"W x 18.75"D x 34"H (42"H) | |
| Standard rack rail | 36"H 15RU | 42"H 19RU |
| 5" Balloon Wheels | Weight capacity 325 lb each | |
| Unit weights (nominal) | 36"H 89 lb [40.4 kg] 99 lb [45 kg] with OCC | 42"H 95 lb [43.1 kg] 105 lb [47.7 kg] with OCC |
| Shipping weights (nominal) | 36"H 124 lb [56.3 kg] 134 lb [60.8kg] with OCC | 42"H 130 lb [59 kg] 140 lb [63.6 kg] with OCC |

Specifications subject to change without notice

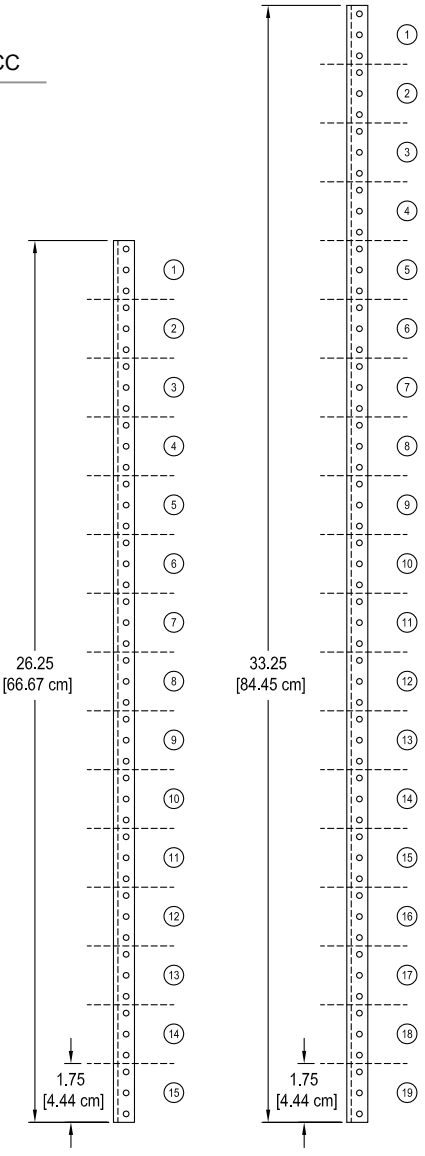


Audience-side view



Standing position
(42" Inspiration Plus shown)

Seated position
(42" Inspiration Plus shown)



36"H
15RU available

42"H
19RU available

Configured Options

| Configured Option: Factory-installed | Accessories: Customer-installed <i>(Available separately <u>after</u> initial configured purchase-see p.16)</i> |
|---|---|
| Laminate / Edgeband Color | - |
| Metal Color | - |
| Worksurface Style | - |
| Rear Rack Rail | 55408 - 36"H 55407 - 42"H |
| Flip-Up Shelf | 55412 |
| Base | - |
| Audience-side door with Custom Logo | 55414 |
| Cove Power Module | 99044 - <i>(requires cutout)</i> |
| Keyboard Tray | 95520 - Surround lectern 95531 - Overbridge lectern |
| Instructor-Side Door | 55405 |

Product number breakdown

55411 - FM FM B 42 S1 0 2 5B 0 2 1 1

**Parent
Number**

Instructor-Side Door:

0 = None
1 = Yes

Keyboard Tray:

0 = None
1 = Yes

Cove™ Power Module:

0 = None
1 = Yes-Black
2 = Yes-Silver

Audience-side door with custom logo:

0 = None
1 = Door with Custom Logo (*Matching laminate backer*)
2 = Door with Custom Logo (*White laminate backer*)
3 = Door with Custom Logo (*Black laminate backer*)

Base:

5B = Four 5" Swivel Balloon Wheels
SR = Two Swivel / Two Rigid 5" Balloon Wheels
TK = Toe Kick

Flip-Up Shelf: (*Laminate color matches lectern worksurface*)

0 = None
2 = Yes on Right-Side
3 = Yes on Left-Side
4 = Yes on Both Sides (2 shelves)

Rear Rack Rail:

0 = None
1 = Yes

Worksurface Style:

S1 = Surround (no cutouts)
S2 = Surround (with special cutouts)
S4 = Surround with installed Cove power module
B1 = Overbridge Control Console™ - no cutouts
B2 = Overbridge Control Console™ - with special cutouts

Worksurface Height:

36 = 36"H
42 = 42"H

Metal Color:

B = Black
CM = Champaign Metallic
D = Dark Gray
S = Silver Sparkle

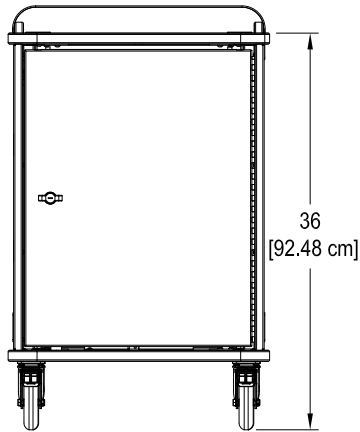
| | Laminate Color:† | Edgeband Color: |
|---------------------------------------|------------------------------------|--|
| Standard Laminates | FM = Fusion Maple | FM = Fusion Maple |
| | IO = Indigo Organix | BK = Black (<i>non-matching</i>) |
| | CH = Wild Cherry | CH = Wild Cherry |
| Premium Laminates* (28-day lead time) | BK = Black | BK = Black |
| | BL = Bronze Legacy | BL = Bronze Legacy |
| | CK = Castle Oak | CK = Castle Oak |
| | CW = Colombian Walnut | CW = Colombian Walnut |
| | DZ = Desert Zephyr | DZ = Desert Zephyr |
| | EM = Empire Mahogany | EM = Empire Mahogany |
| | MO = Morro Zephyr | MO = Morro Zephyr |
| | MZ = Misted Zephyr | SN = Silver Northsea (<i>non-matching</i>) |
| | NP = Nepal Teak | NP = Nepal Teak |
| | NT = Natural Tigris | NT = Natural Tigris |
| | PM = Pewter Mesh | PM = Pewter Mesh |
| | SM = Steel Mesh | SM = Steel Mesh |
| | TZ = Twilight Zephyr | TZ = Twilight Zephyr |
| WF = White Fiesta | BK = Black (<i>non-matching</i>) | |

* Premium laminate colors require an additional 14 days of lead time.

† Laminate colors come with matching Edgeband color, with these exceptions: Indigo Organix Laminate comes with Black Edgeband, Misted Zephyr Laminate comes with Silver Northsea Edgeband, and White Fiesta Laminate comes with Black Edgeband.

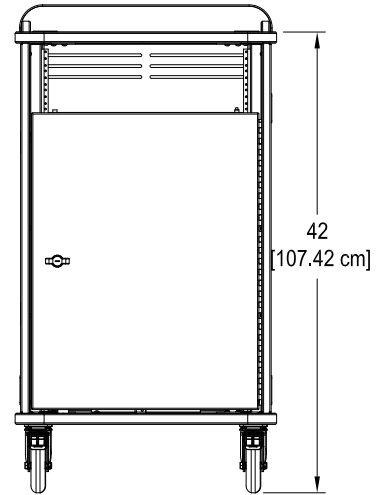
Worksurface Height

ORDER CODE 36 = 36"H



Note: Shown with optional instructor-side door. If the door option is used on a 36"H Inspiration Plus Lectern, a keyboard tray cannot be used.

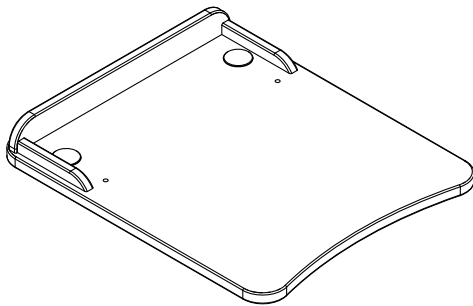
ORDER CODE 42 = 42"H



Note: Shown with optional instructor-side door. If the door option is used on a 42"H unit without an installed keyboard tray, a 4RU rack-mount blank should be installed above the door to maintain security.

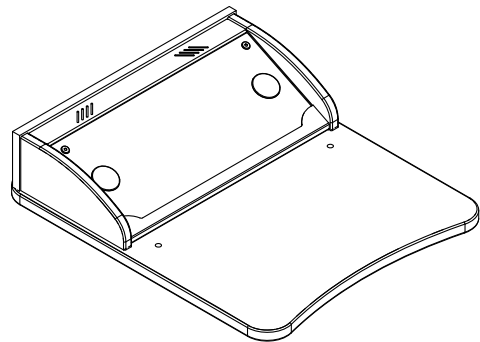
Worksurface Style

ORDER CODE S1 = Surround



Surround with two 2" grommet holes with covers in worksurface and two .375" holes with plugs for optional monitor arm mounting.

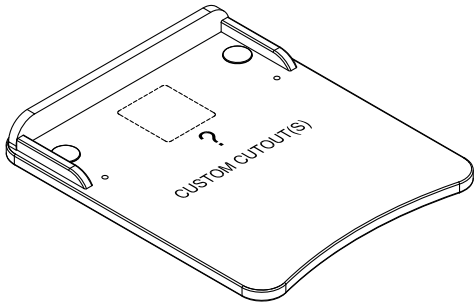
ORDER CODE B1 = Overbridge Control Console



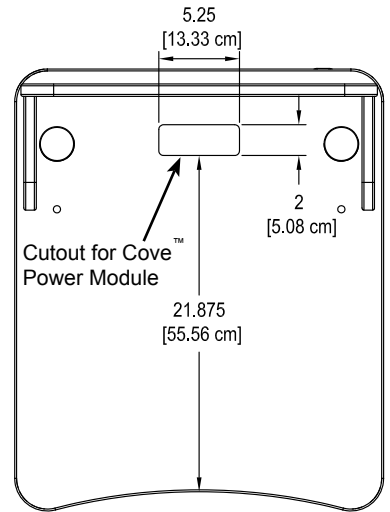
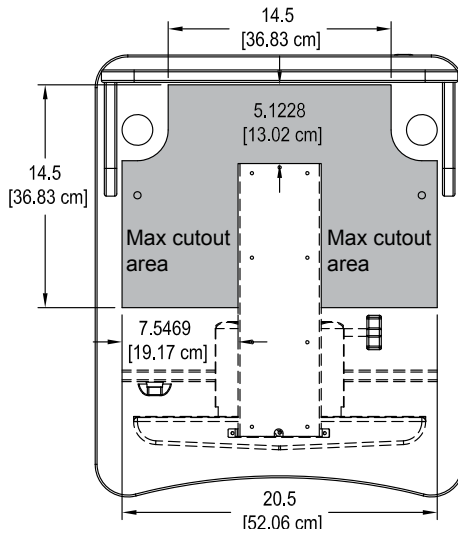
Overbridge with blank insert panel for custom cutouts (see p.15 for dimensions). Overbridge is not available separately. Includes two 2" grommet holes with covers. Worksurface in front of overbridge includes two .375" holes with plugs for optional monitor arm mounting.

ORDER CODE S2 = Surround with special cutout(s)

ORDER CODE S4 = Surround with cutout for Cove™ Power Module



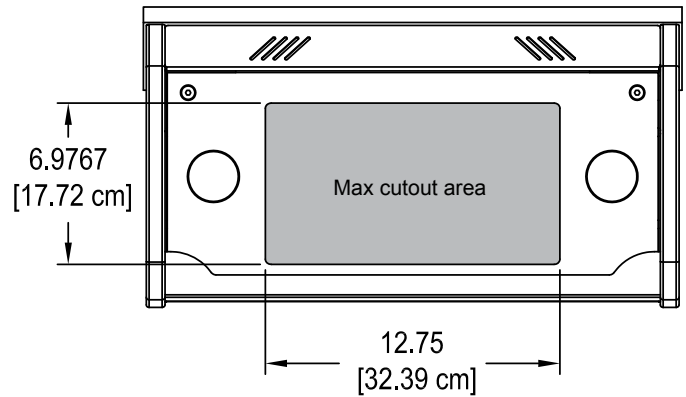
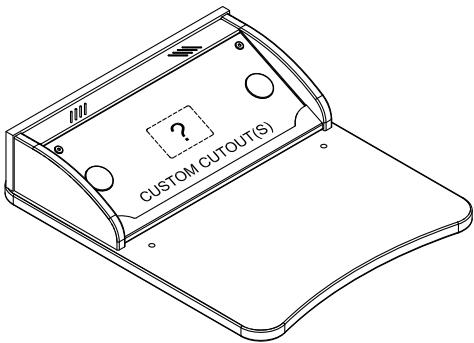
(shown with optional keyboard tray)



- Contact Spectrum to specify cutout size(s) and location(s)
- See location recommendations at right

ORDER CODE B2 = Overbridge Control Console with special cutout(s)

Inspiration Overbridge insert panel blank (flat view)



- Contact Spectrum to specify cutout size(s) and location(s)
- Panel color: black
- See cutout recommendations at right

Cutouts in blank overbridge panels can be made by the customer after the lectern has been purchased, but are only recommended within the cutout areas shown.

Spectrum can provide cutouts exactly matching any commercially available data and electrical power outlet, but are only recommended within the maximum cutout areas shown. Cutouts should be reviewed by Spectrum to ensure clearance of brackets, keyboard tray slides, or other objects under the worksurface.

***When ordering a lectern with cutouts, specify complete details of the device(s) (brand, model number, cutout size, quantity, etc.) to the Spectrum sales rep when ordering.**

Note: Spectrum Industries, Inc. manufactures furniture that supports a wide variety of power and communication devices from a variety of manufacturers. This lectern is compatible with many Extron, Crestron, Altinex, AMX, and other devices. Spectrum does not resell these products; *please consult your electronic supplier* for the equipment that best suits your needs. Size specifications from the manufacturer can be used to verify the fit.

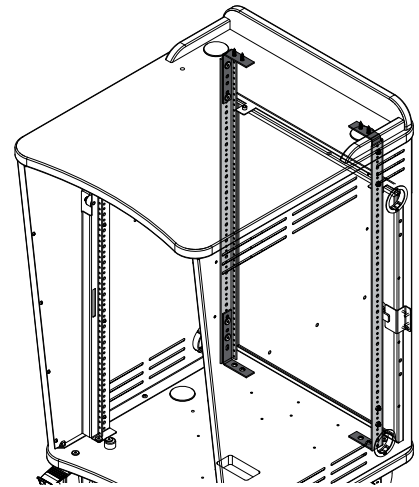
! Note: Some controllers and devices require additional space around the cutout for clamping under the worksurface. Please double check your device specifications to ensure adequate space around the cutout.

Rear Rack Rail

| | |
|----------------|------|
| ORDER CODE 0 = | None |
| ORDER CODE 1 = | Yes |

15RU Rear Rack Rail

- Set of 2 rails with mounting brackets

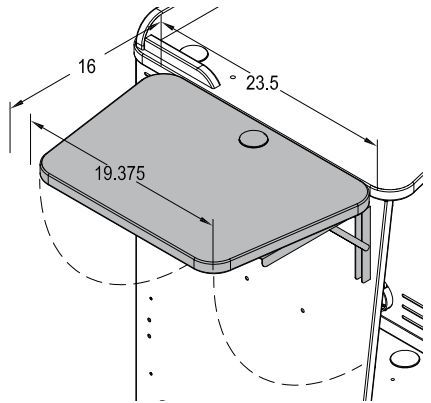


Note: 42" Inspiration Plus Lecterns have an audience-side structural panel that limits fully-accessible rear rack spacing to 15RU.

Flip-Up Shelf Option

Flip-Up Shelf

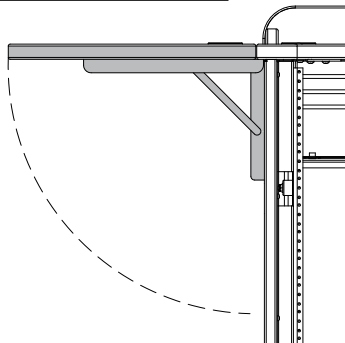
- Shelf hinges lock into place in the upright position
- Shelf installed level with worksurface
- Factory-installed



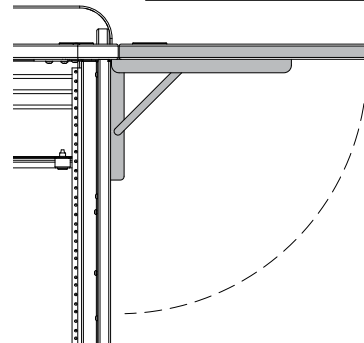
Weight capacity: 50 lb [22.7 kg]
 Dimensions: 16"W [40.64 cm] x 19.375"D [49.21 cm] x 1"H [2.54 cm]
 Unit Weight: 18 lb [8.2 kg]

ORDER CODE 0 = None

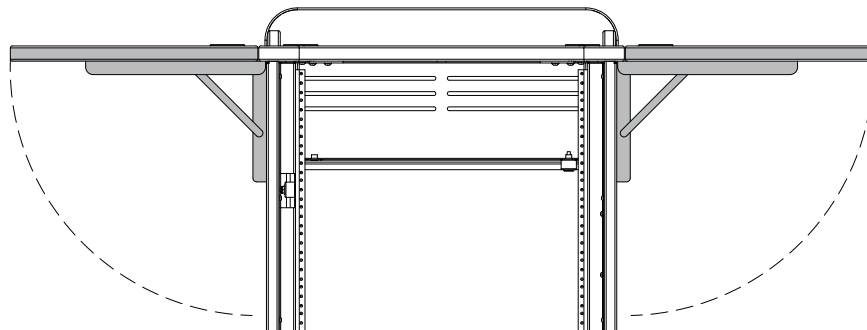
ORDER CODE 3 =
 Installed on Left (1 shelf)



ORDER CODE 2 =
 Installed on Right (1 shelf)



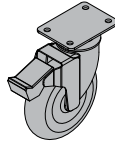
ORDER CODE 4 = Installed on both sides (2 shelves)



ORDER CODE 5B = Four 5" Swivel Balloon Wheels

BW
5" Balloon Wheels (four swivel)

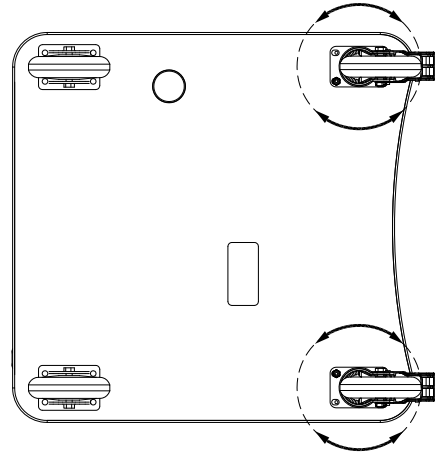
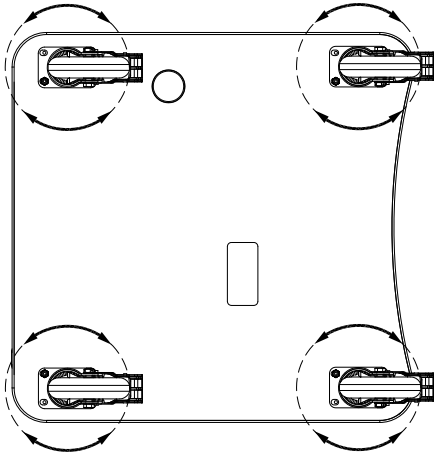
Provides more maneuverability in tight spaces, but less control when mobile



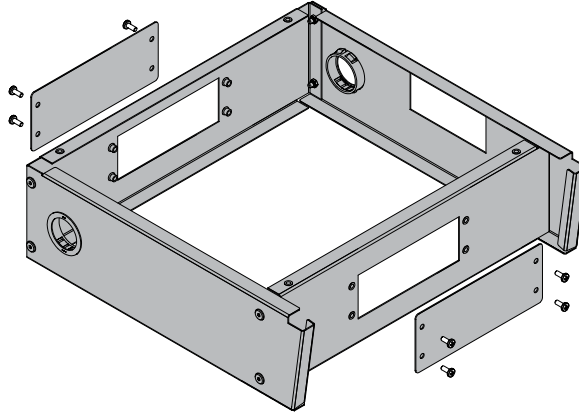
ORDER CODE SR = Two Swivel / Two Rigid 5" Balloon Wheels

SR
5" Balloon Wheels (two swivel / two rigid)

Provides more control when mobile, but less maneuverability in tight spaces



ORDER CODE TK = Toe Kick



Audience-Side Door with Custom Logo

| | |
|-----------------------|--|
| ORDER CODE 0 = | None |
| ORDER CODE 1 = | Audience-side door with custom logo (with <u>matching laminate</u> backer) |
| ORDER CODE 2 = | Audience-side door with custom logo (with <u>white laminate</u> backer) |
| ORDER CODE 3 = | Audience-side door with custom logo (with <u>black laminate</u> backer) |

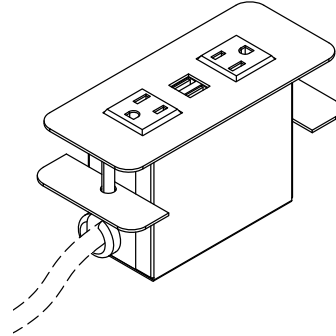


| | |
|-----------------------|------------|
| ORDER CODE 0 = | None |
| ORDER CODE 1 = | Yes-Black |
| ORDER CODE 2 = | Yes-Silver |

Cove™ Power Module

- Two power receptacles
- Two USB charge ports
- Thumbscrew clamps
- Requires worksurface cutout
- ETL listed
- Available in Black or Silver
- Factory-installed

| | |
|---------------------|---|
| Cutout required: | 5.25"W [13.3 cm] x 2"D [5.1 cm] (mounts to surface thicknesses up to 1.5") |
| Power cord: | 9' [274 cm] with 90° flat plug with 45° rotation |
| Power receptacles: | 12A, 120 VAC spill-resistant |
| USB charging ports: | 2.1A (10.5W) |
| Dimensions: | 6"W [15.2 cm] x 2.5"D [6.35 cm] x 3.18"H [8.1 cm] |
| Unit weight: | 2.29 lb [1 kg] |



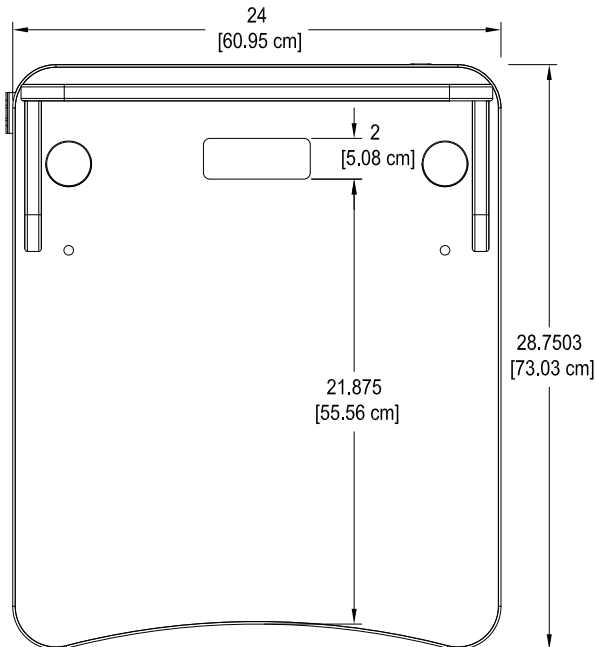
Black Cove™ Power Module



Silver Cove™ Power Module



Standard Cove location
(available in Surround version only)

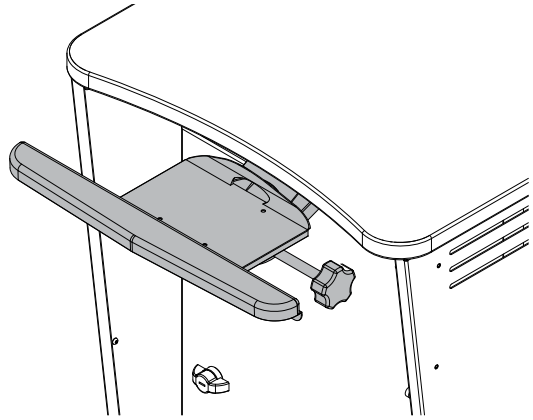


| | |
|----------------|------|
| ORDER CODE 0 = | None |
| ORDER CODE 1 = | Yes |

Adjustable Econo Keyboard Tray

Surround lectern 17.75"D [45.09 cm]
 Overbridge lectern 13.75"D [30.48 cm]

- 18.375"W [46.67 cm] (max 1 per unit)

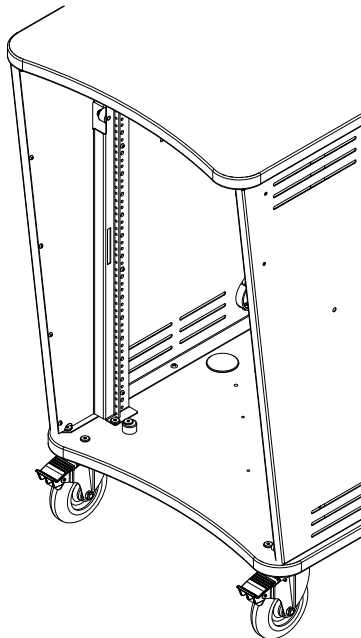


Note: Overbridge versions require a shorter (13.75"D) keyboard slide. The keyboard tray occupies 3RU at top of rack rail.

Note: Shown with optional instructor-side door. If the door option is used on a 36"H Inspiration Plus Lectern, a keyboard tray cannot be used.

Instructor-side door

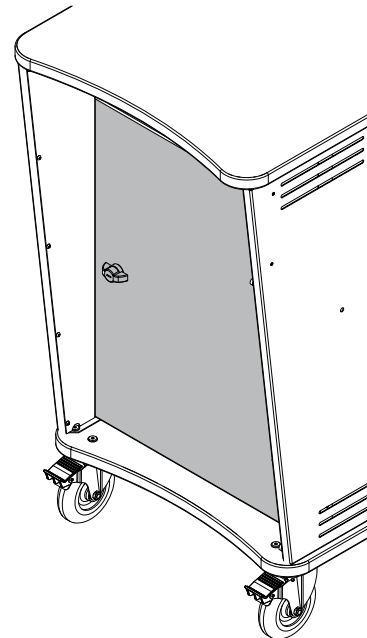
ORDER CODE 0 = None



ORDER CODE 1 = Yes

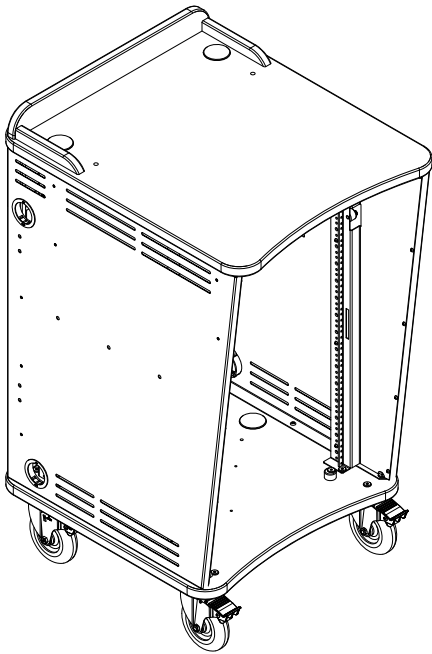
Instructor-side Locking Door - 55405

- With single-bolt lock, 28"H [71.12 cm]

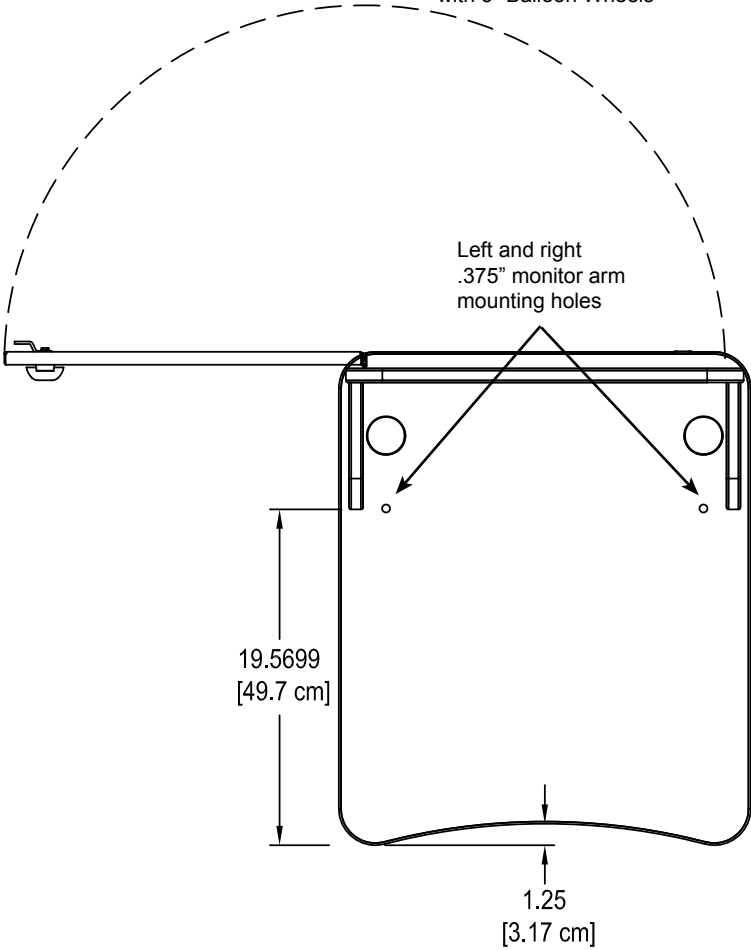


Note: If the door option is used on a 36"H Inspiration Plus Lectern, a keyboard tray cannot be used.

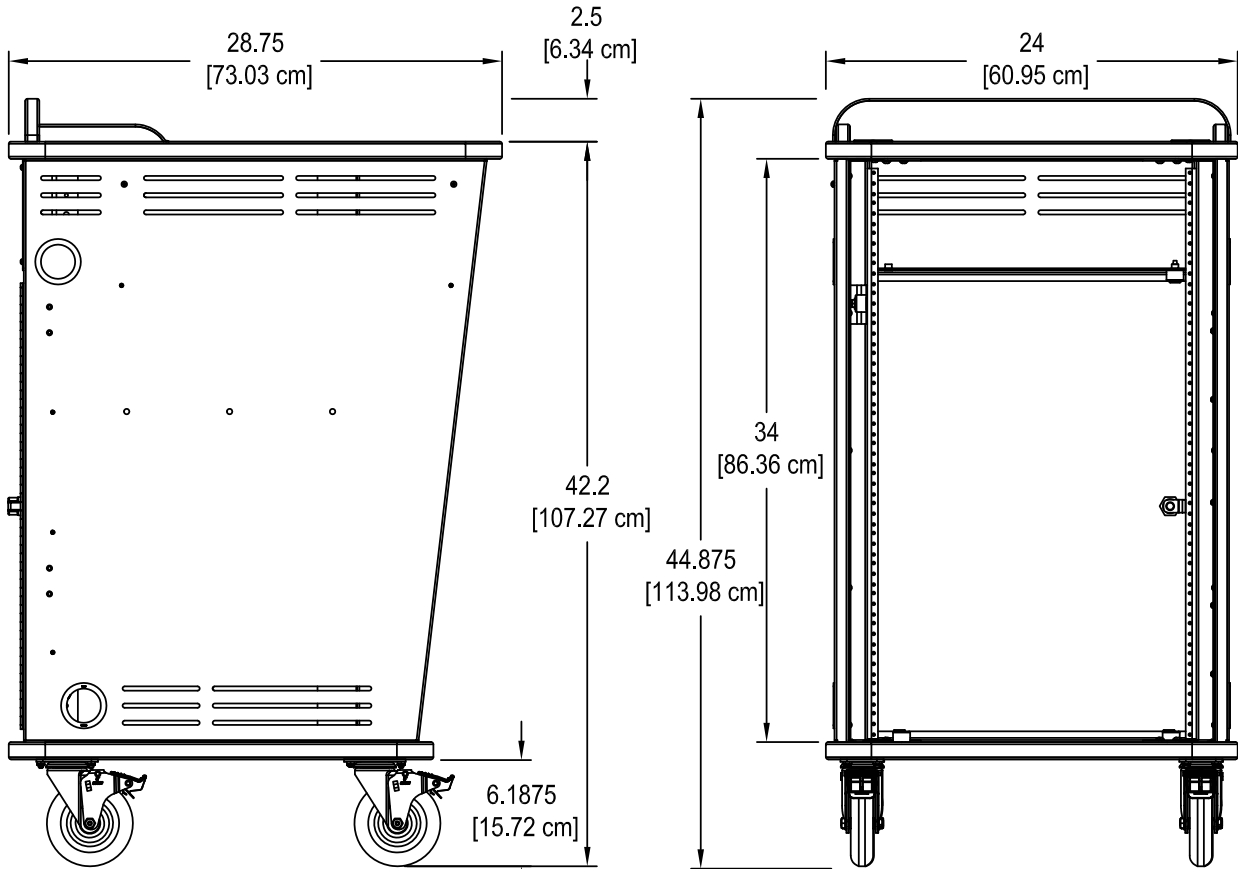
Note: If the door option is used on a 42"H unit without an installed keyboard tray, a 4RU rack-mount blank is recommended above the door to maintain security.

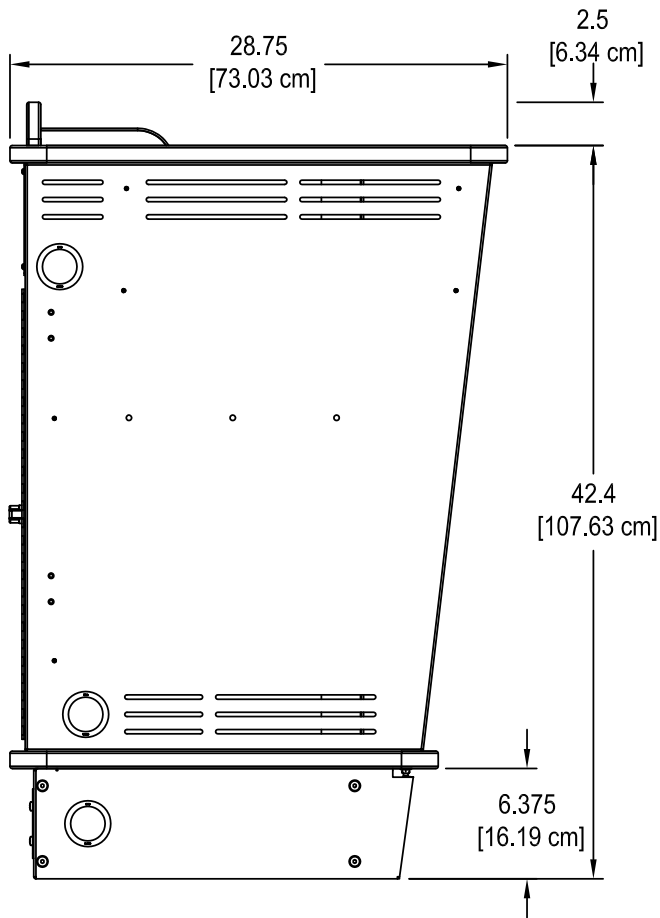


42" Inspiration Plus Lectern
with 5" Balloon Wheels

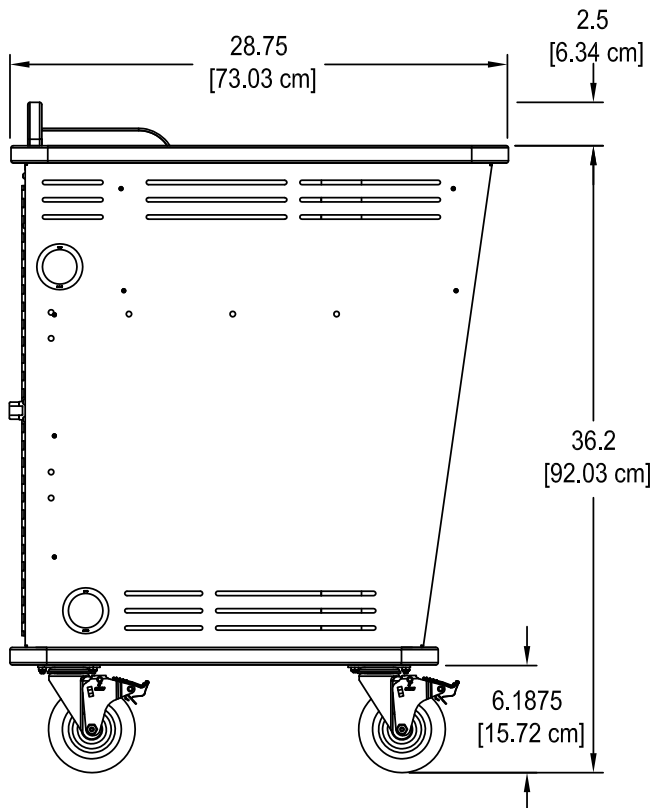
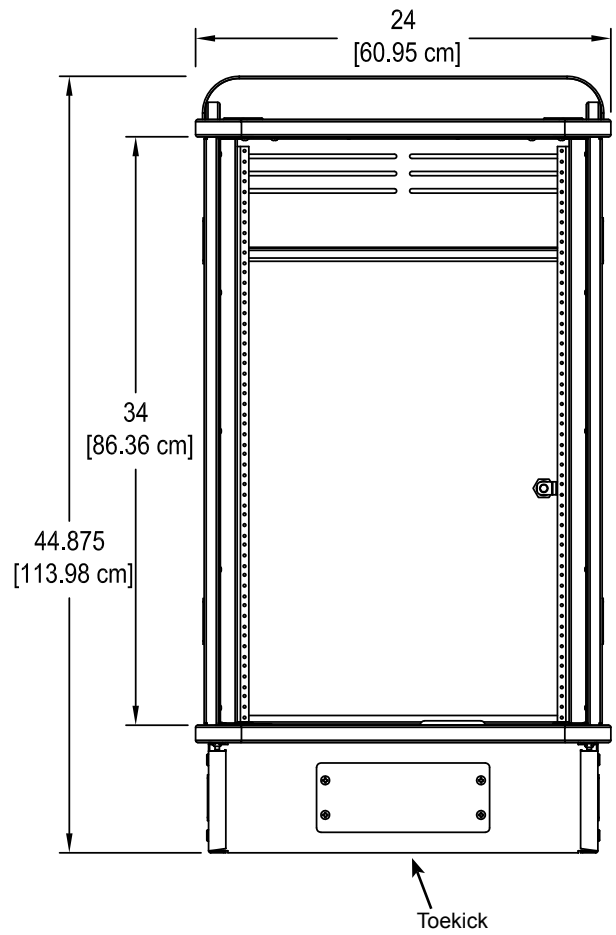


Note: Modified worksurface cutouts should be reviewed by Spectrum to ensure clearance of brackets, keyboard slides, or other objects under the worksurface.

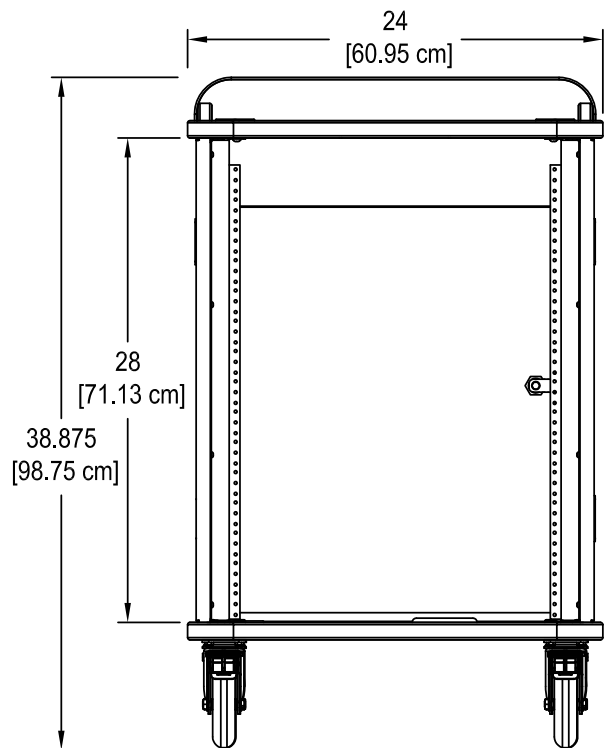


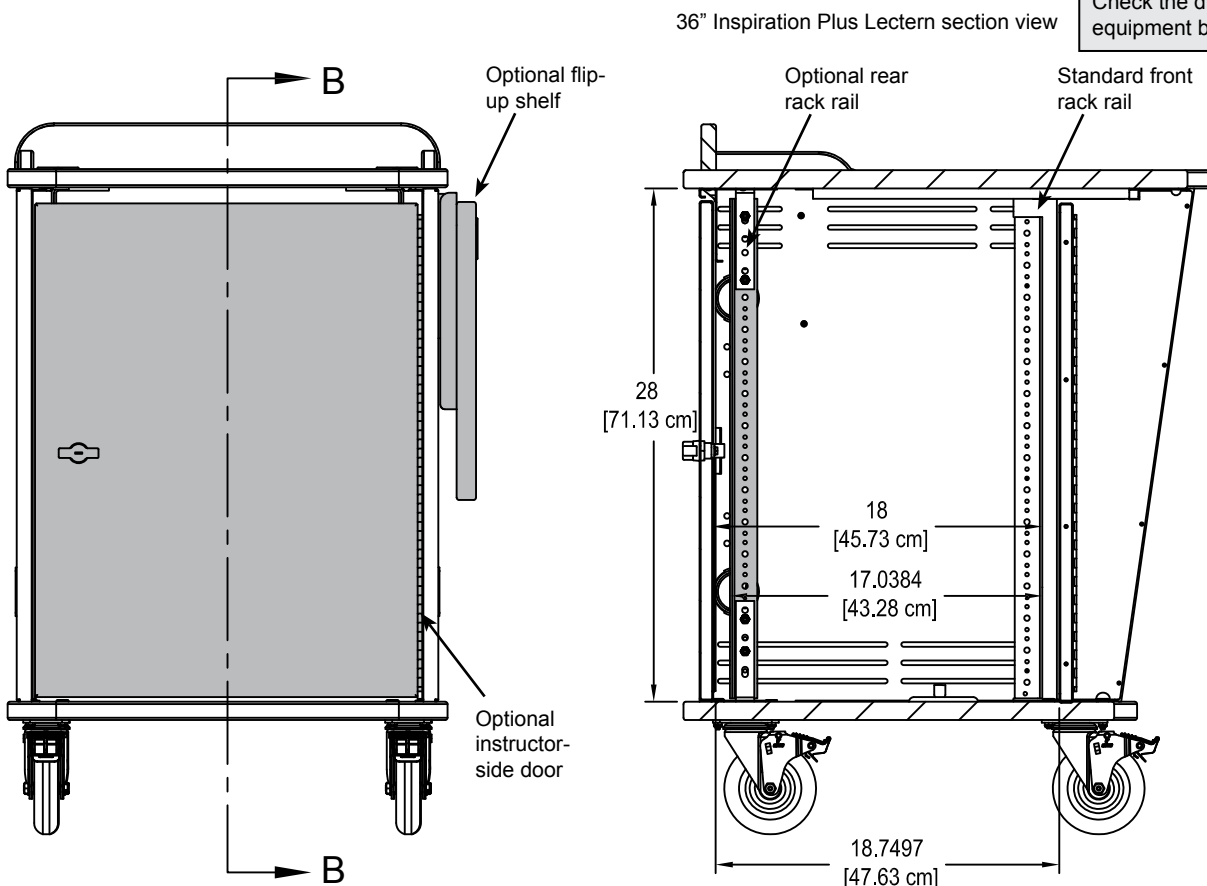
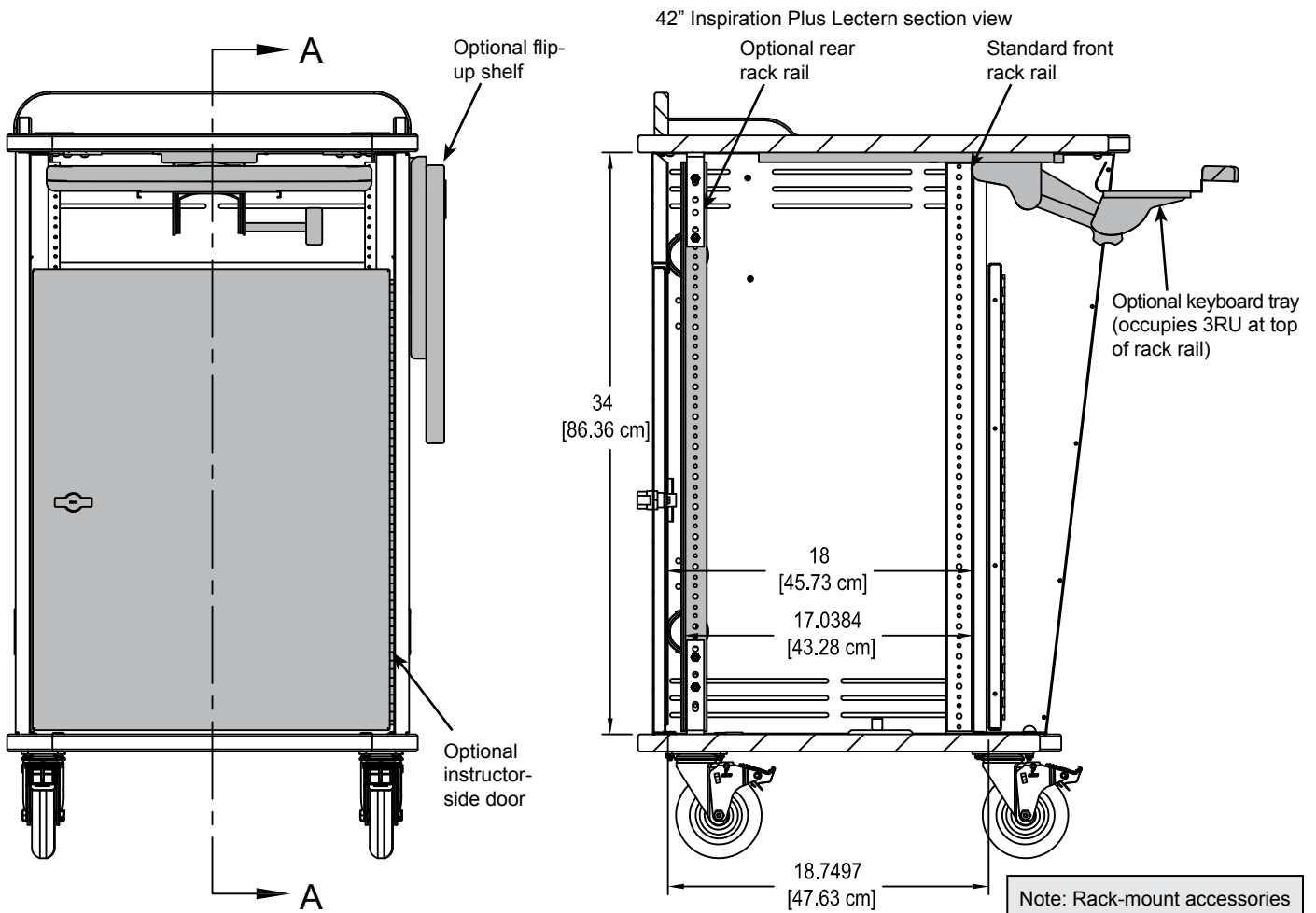


42" Inspiration Plus Lectern with Toekick

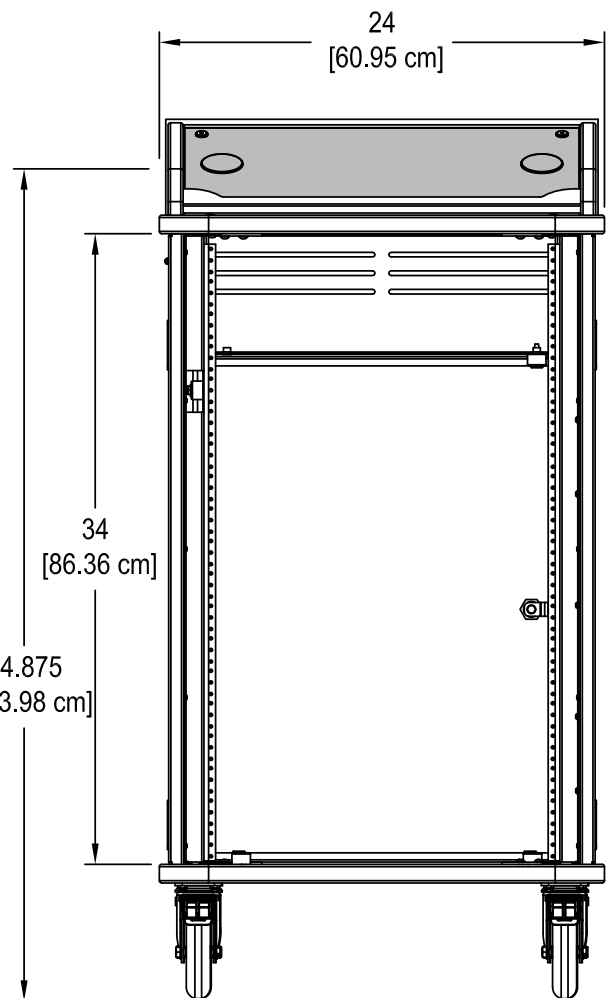
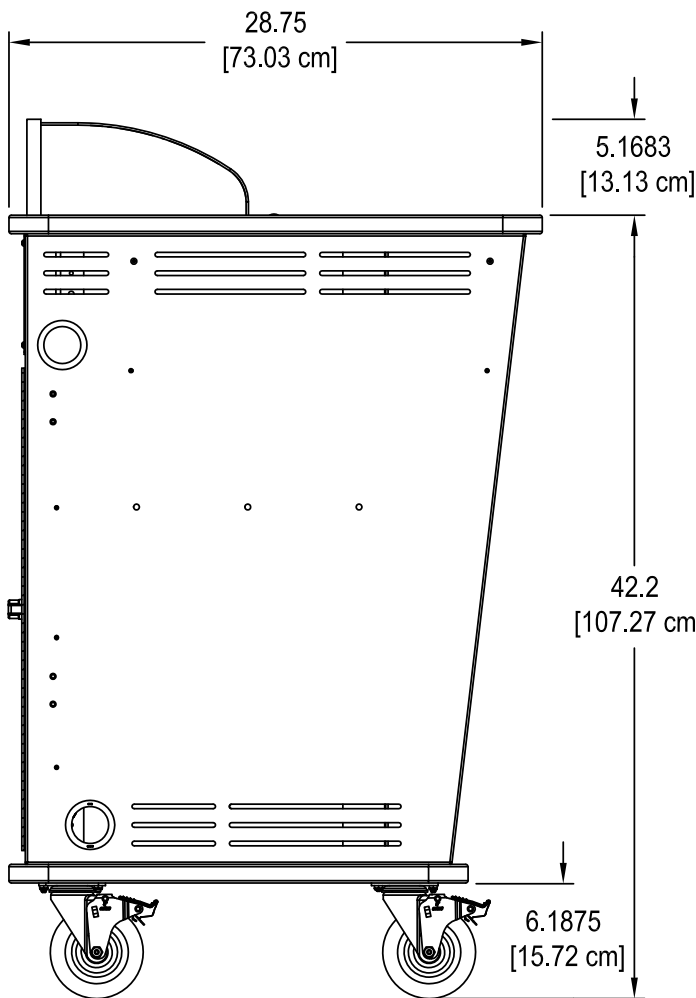
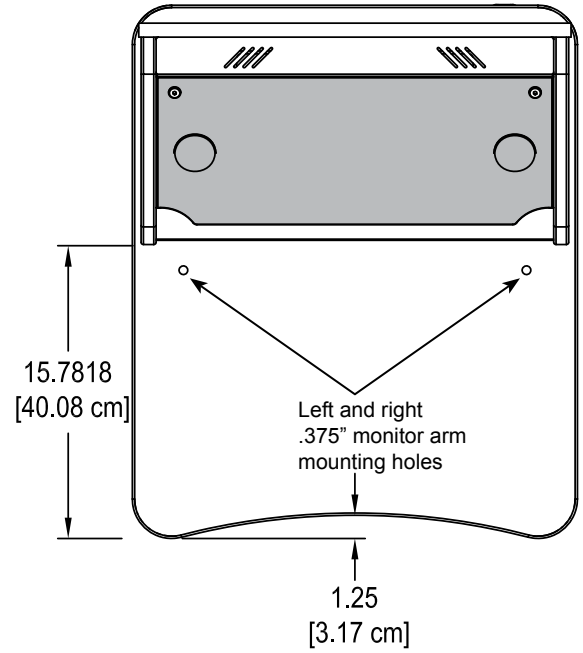
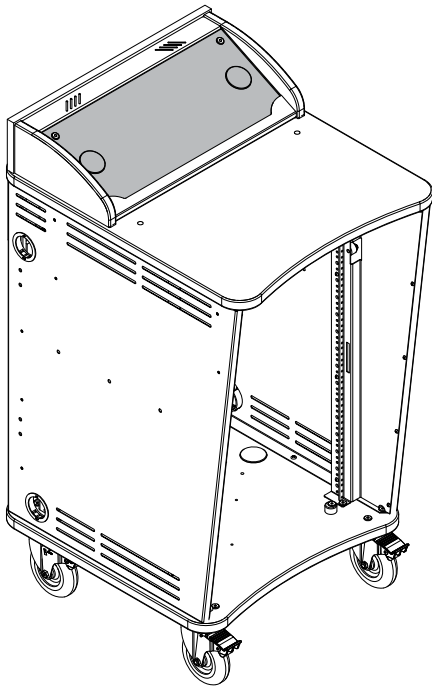


36" Inspiration Plus Lectern
with 5" Balloon Wheels

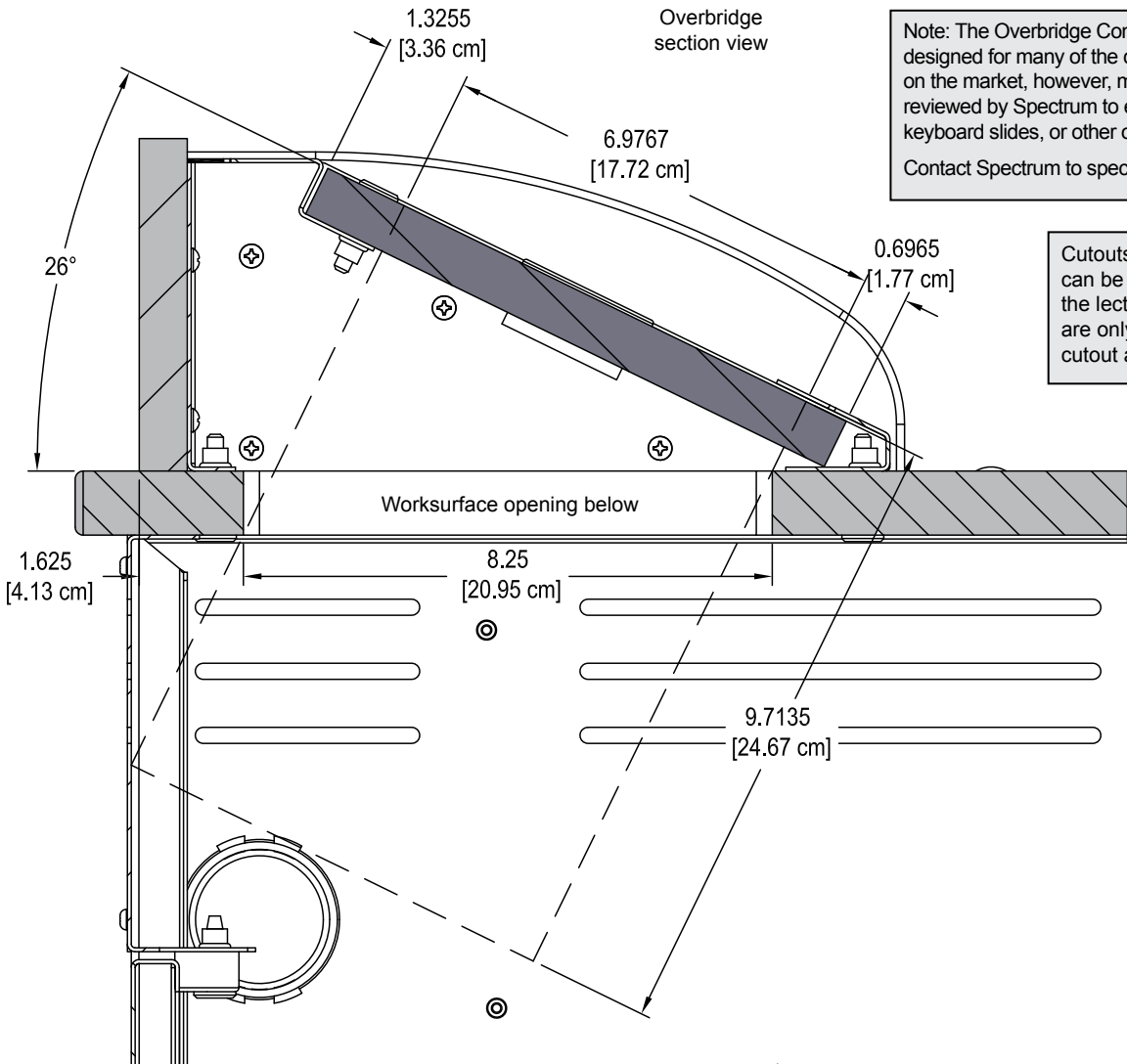
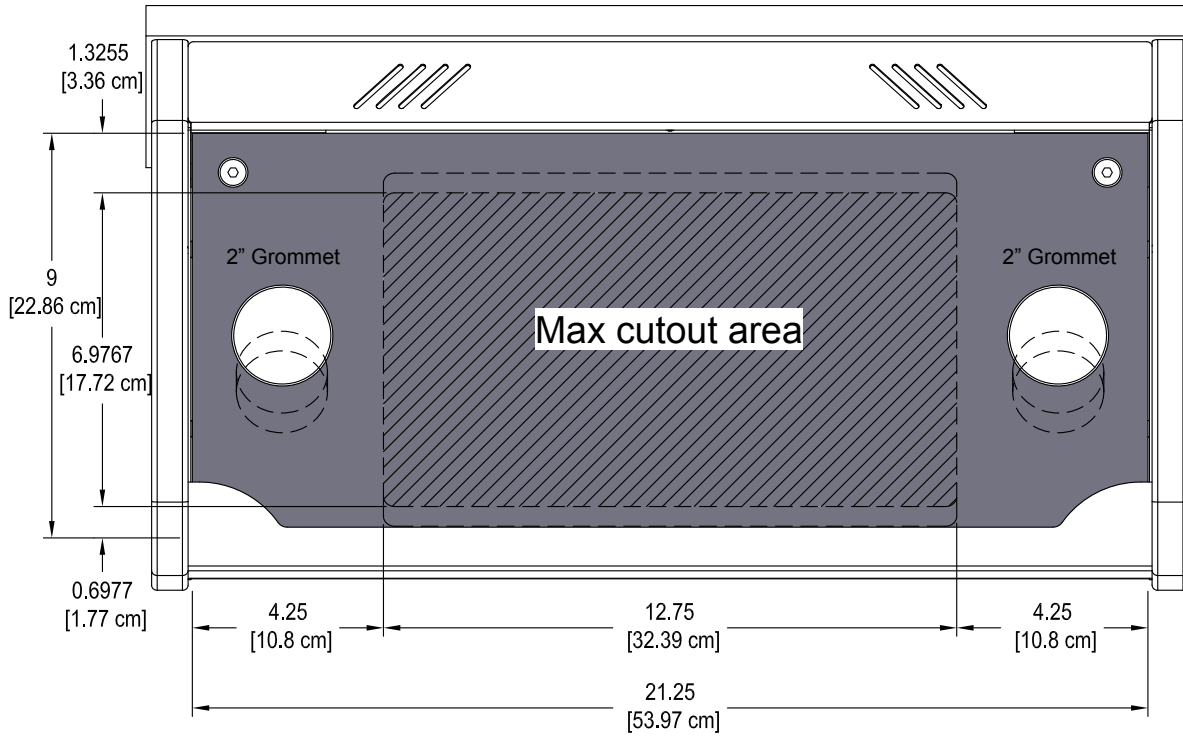




36" Inspiration Plus Lectern
with Overbridge Control Console
and 5" Balloon Wheels



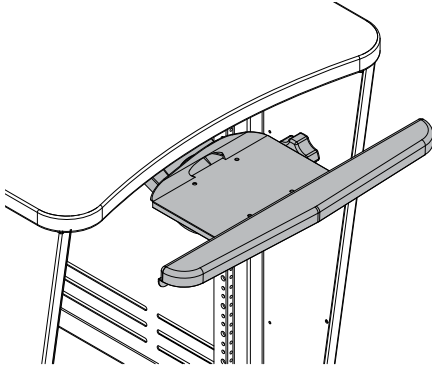
Inspiration Plus Overbridge Insert Panel Blank
(flat view)



Note: The Overbridge Control Console™ has been designed for many of the currently available controllers on the market, however, modified cutouts should be reviewed by Spectrum to ensure clearance of brackets, keyboard slides, or other objects under the worksurface. Contact Spectrum to specify cutout size(s) and location(s).

Cutouts in blank overbridge panels can be made by the customer after the lectern has been purchased, but are only recommended within the cutout areas shown.

Accessories

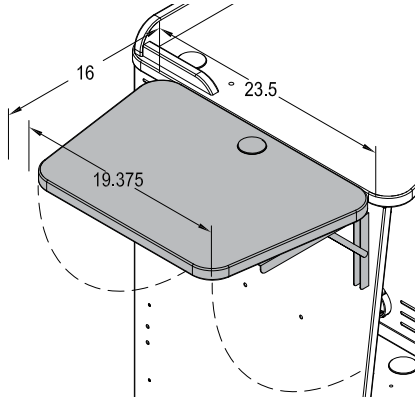


Adjustable Econo Keyboard Tray

- 95520 - Surround lectern 17.75"D [45.09 cm]
- 95531 - Overbridge lectern 13.75"D [30.48 cm]
- 18.375"W [46.67 cm] (max 1 per unit)

Note: 95531 comes with a shorter (13.75"D) keyboard slide. This option should be used with the overbridge lectern. When fully-retracted, the keyboard tray occupies 3RU of rack space at the top of the unit.

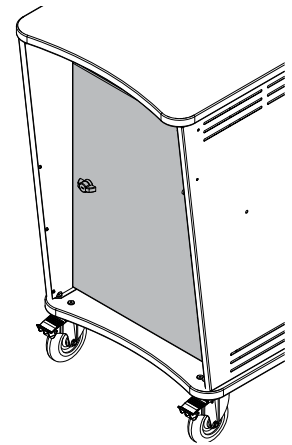
Note: When the door option is used on a 36"H Inspiration Plus Lectern, a keyboard tray cannot be used.



Flip-Up Shelf - 55412

- Mounts on left or right (max 2 per unit)
- 16"W [40.64 cm] x 19.375"D [49.21 cm]
- 50 lbs [22.68 kg] max capacity

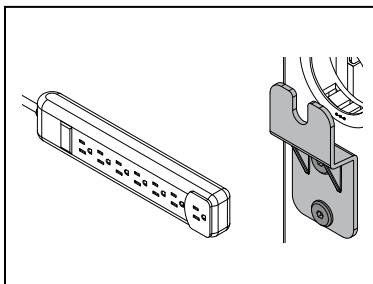
Note: Power and communication wiring for document cameras, laptop computers, and/or projectors placed on the flip-up shelf should be routed on top of the audience-side of the shelf. Use of the shelf grommet hole for wiring will result in pinching of the cords when the shelf is folded.



Instructor-Side Door - 55405

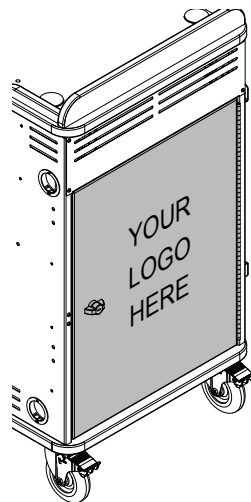
- With single-bolt lock, 28"H [71.12 cm]

Note: When the door option is used on a 36"H Inspiration Plus Lectern, a keyboard tray cannot be used.



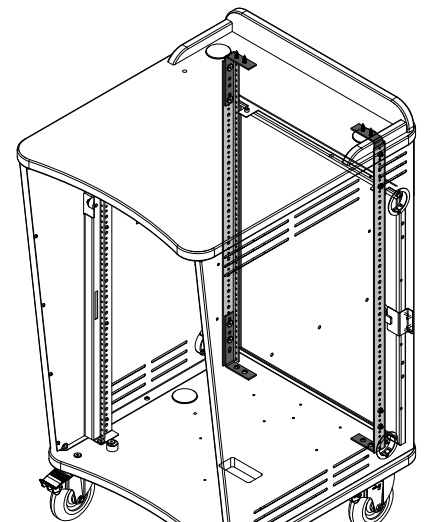
Power Strip + (2) Cord Wraps - 55404

- 12"W [30.48 cm] x 2"D [5.08 cm] x 1.3125"H [3.33 cm]
- 7-outlet surge-protected
- 24" [457.20 cm] cord



Audience-side door with Custom Logo - 55414

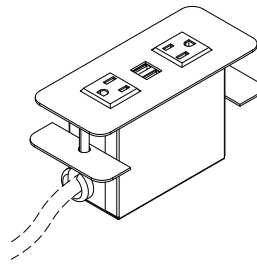
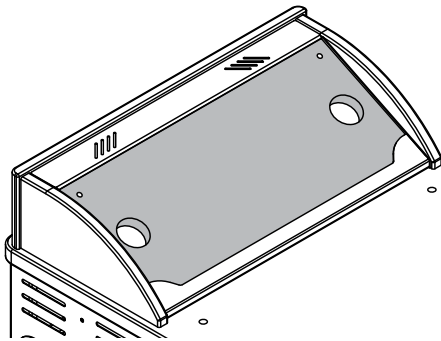
- Shown on audience-side door
- 20.875"W [53.02 cm] x 27.25"H [69.22 cm]
- Available for 36"H, or 42"H Inspiration lecterns
- Contact Spectrum for details



15RU Rear Rack Rail Kit

- 55408 - 36"H [91.44 cm] (15RU)
- 55407 - 42"H [106.68 cm] (19RU)
- Set of 2 rails with mounting brackets

Note: 42" Inspiration Plus Lecterns have an audience-side structural panel that limits accessible rear rack spacing to 15RU.



Overbridge Insert Panel

96501 - Blank panel

96501mod - Panel with cutout(s)

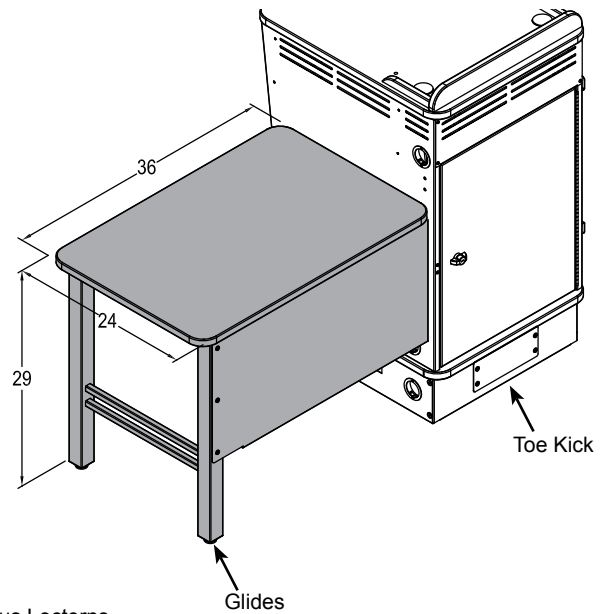
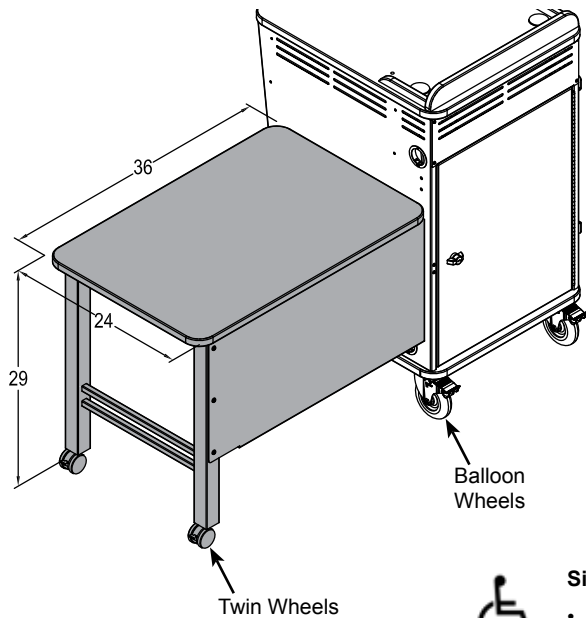
Contact Spectrum to specify cutout size(s) and position(s)

- For overbridge version only
- Overbridge not available separately
- Includes two 2" [5.08 cm] grommets with covers

Cove™ Power Module - 99044

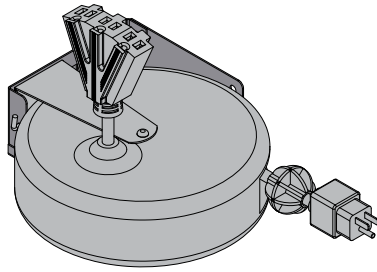
- Two power receptacles
- Two USB charge ports (not data-compatible)
- Thumbscrew clamps
- Requires worksurface cutout
- ETL listed
- Available in Black or Silver
- Customer-installed

| | |
|---------------------|---|
| Cutout required: | 5.25"W [13.3 cm] x 2"D [5.1 cm] (mounts to surface thicknesses up to 1.5") |
| Power cord: | 9' [274 cm] with 90° flat plug with 45° rotation |
| Power receptacles: | 12A, 120 VAC spill-resistant |
| USB charging ports: | 2.1A (10.5W) |
| Dimensions: | 6"W [15.2 cm] x 2.5"D [6.35 cm] x 3.18"H [8.1 cm] |
| Unit weight: | 2.29 lb [1 kg] |



Side Table - 55413

- For 36" or 42" Inspiration Plus Lecterns
- ADA-compliant
- Available with Twin-wheels casters for BW lecterns, or Glides for TK lecterns
- Mounts on left or right-side
- 36"W x 24"D x 29"H



Universal Cord Reel Kit - 99037

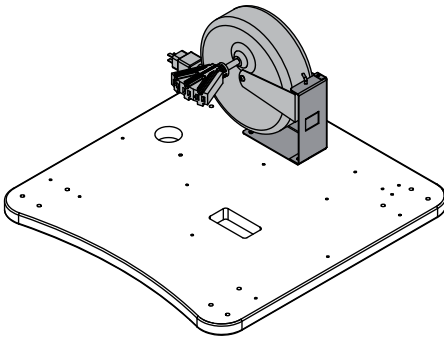
- Includes universal mounting bracket
- Mounts horizontally or vertically inside lectern to base panel
- 15' [457.2 cm] retractable cord
- 12 AWG with breaker
- 10 lbs [.45 kg]

Note: When installed, the cord reel takes up rack units from the bottom of the rack rail.

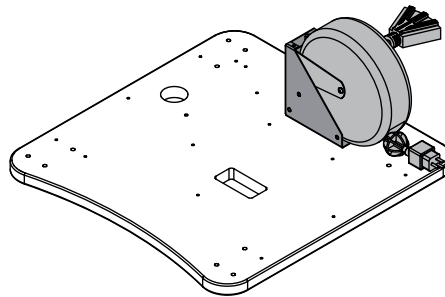
Horizontal installation: 3RU
Vertical installation: 6RU

The cord reel is intended to provide temporary access to electrical outlets for Spectrum mobile lecterns. Check local electrical codes prior to installation.

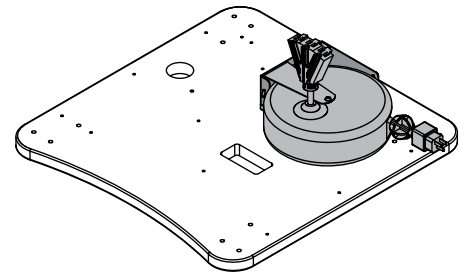
Optional Universal Cord Reel
(Available positions on base)



Vertical left
(takes up 6RU)

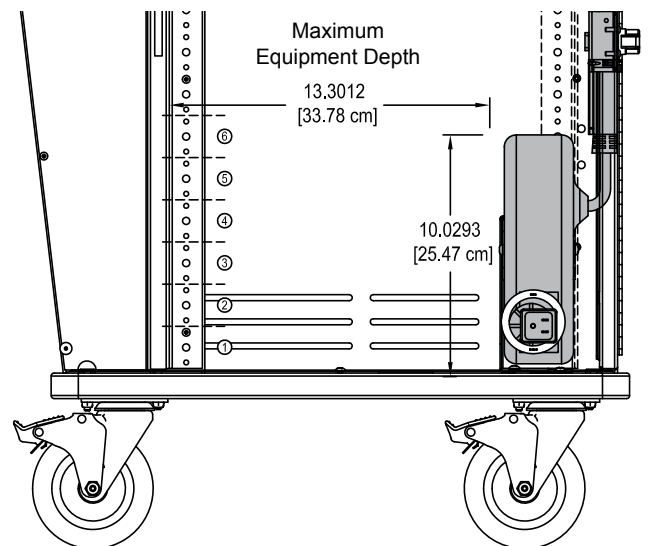
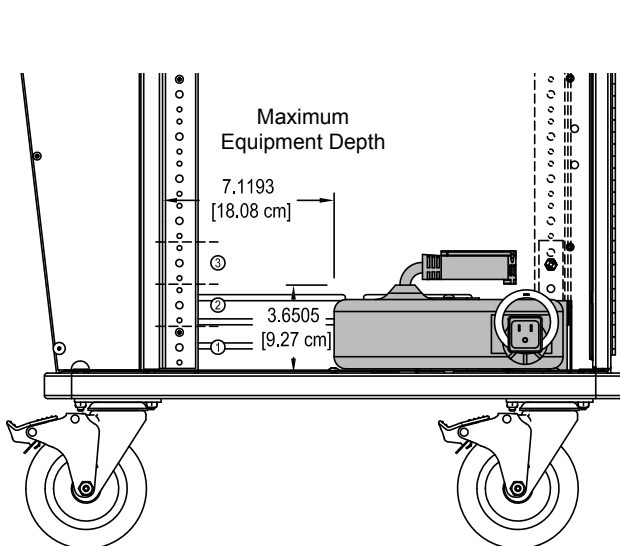


Vertical right
(takes up 6RU)



Horizontal right
(takes up 3RU)

Available rack spacing



See spectrumfurniture.com for the latest accessories and detailed warranty information

Warranty

WE WILL MAKE IT RIGHT FOR YOU!

Spectrum is committed to provide complete customer satisfaction. Each of our products is manufactured from the best materials available and each product is stringently monitored throughout the production process through our P.A.C.E. program (Product Assurance to meet Customer Expectations).

We expressly warrant that Spectrum products will be of good quality and workmanship and free from defect for the period set out in the warranty table below from the date of delivery. This warranty shall not apply to defects or damage resulting from misuse, abuse, neglect, improper care, modification or repair not authorized by Spectrum, or any other cause outside the control of Spectrum. Spectrum will, at its sole option, either repair or replace the defective product.

This warranty is exclusive; no other warranty, written or oral, is expressed or implied. This warranty is given by Spectrum to Buyer and to no other person or legal entity. No Spectrum dealer, distributor, agent or employee is authorized to make any modification or addition to this warranty.

NOTWITHSTANDING ANYTHING TO THE CONTRARY, SPECTRUM WILL NOT UNDER ANY CIRCUMSTANCES BE LIABLE FOR INDIRECT OR LIQUIDATED DAMAGES, INCLUDING CONSEQUENTIAL, INCIDENTAL AND SPECIAL DAMAGES. IN NO EVENT SHALL SPECTRUM'S LIABILITY, WHETHER UNDER CONTRACT OR WARRANTY, IN TORT OR OTHERWISE, EXCEED THE PURCHASE PRICE RECEIVED BY SPECTRUM FOR THE PRODUCT AT ISSUE AND "RECALL ACTION" EXPENSES. SPECTRUM SHALL NOT BE SUBJECT TO ANY OTHER OBLIGATIONS OR LIABILITIES, WHETHER ARISING OUT OF BREACH OF CONTRACT, WARRANTY, TORT (INCLUDING NEGLIGENCE AND STRICT LIABILITY) OR OTHER THEORIES OF LAW, WITH RESPECT TO PRODUCTS SOLD OR SERVICES RENDERED BY SPECTRUM, OR ANY UNDERTAKINGS, ACTS OR OMISSIONS RELATING THERETO.

Our Customer Service Department is ready to provide immediate attention to any questions, comments or concerns. They are available to answer your calls Monday through Friday from 7 am to 5 pm CST. In addition your product comments or concerns are welcome via e-mail at: spectrum@spectrumfurniture.com.

Warranty Table

effective 1/1/2015

| Item | Warranty Period |
|--|--|
| Adjustable Crank / Electric Desk Legs | • 1 Year |
| Flat Panel Desk Gas Cylinders | |
| Chairs <ul style="list-style-type: none"> • Adjustable Height Chair Parts – including frames, gas cylinders, wood and plastic parts, control handles, casters • Adjustable Height Chair Upholstery • In-Stock Upholstery • Graded-In Fabrics and Customer Owned Material | <ul style="list-style-type: none"> • 7 Years • 2 Years • 2 Years • No Warranty |
| Height Adjustable Columns and Lifts | • 1 Year |
| General Use Casters | |
| Electrical (including timers and LINAK actuators) | • 2 Years |
| Keyboard / Mouse Trays | • 1 Year |
| Flat Panel Monitor Arms <ul style="list-style-type: none"> • Flat Panel Monitor Arm – General Parts • Flat Panel Monitor Arm – Gas Cylinders | <ul style="list-style-type: none"> • 5 Years • 2 Years |
| Desks and Lecterns <ul style="list-style-type: none"> • Computer Desk Chassis • Cart Chassis • Lectern Chassis | • 10 Years |

